

BOSS GE-7 GE-7B

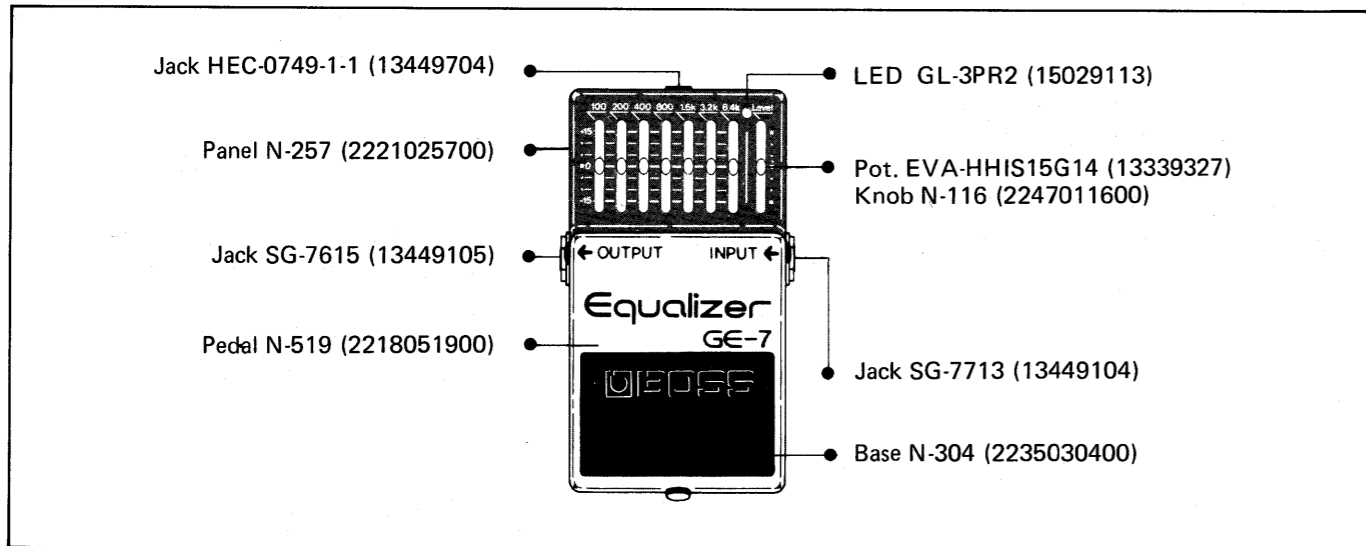
SERVICE NOTES *First Edition*

GE-7

※This notes includes the contents of the GE-7 First Edition and makes it obsolete.
 ※GE-7のサービスノート第一版は廃版とし本サービスノートに併合します。

SPECIFICATIONS

- Power Source Battery 9V (1) AC Adaptor
 Current draw 7mA at 9V
 Equalization 7-Band ±15dB
 100Hz/200Hz/400Hz/800Hz/1.6kHz/3.2kHz/6.4kHz
 Level Control ±15dB (Center 0dB)
 Residual Noise -100dBm (IHF-A)
 Dimensions 70(W) x 55(H) x 125(D)mm
 Weight 450g

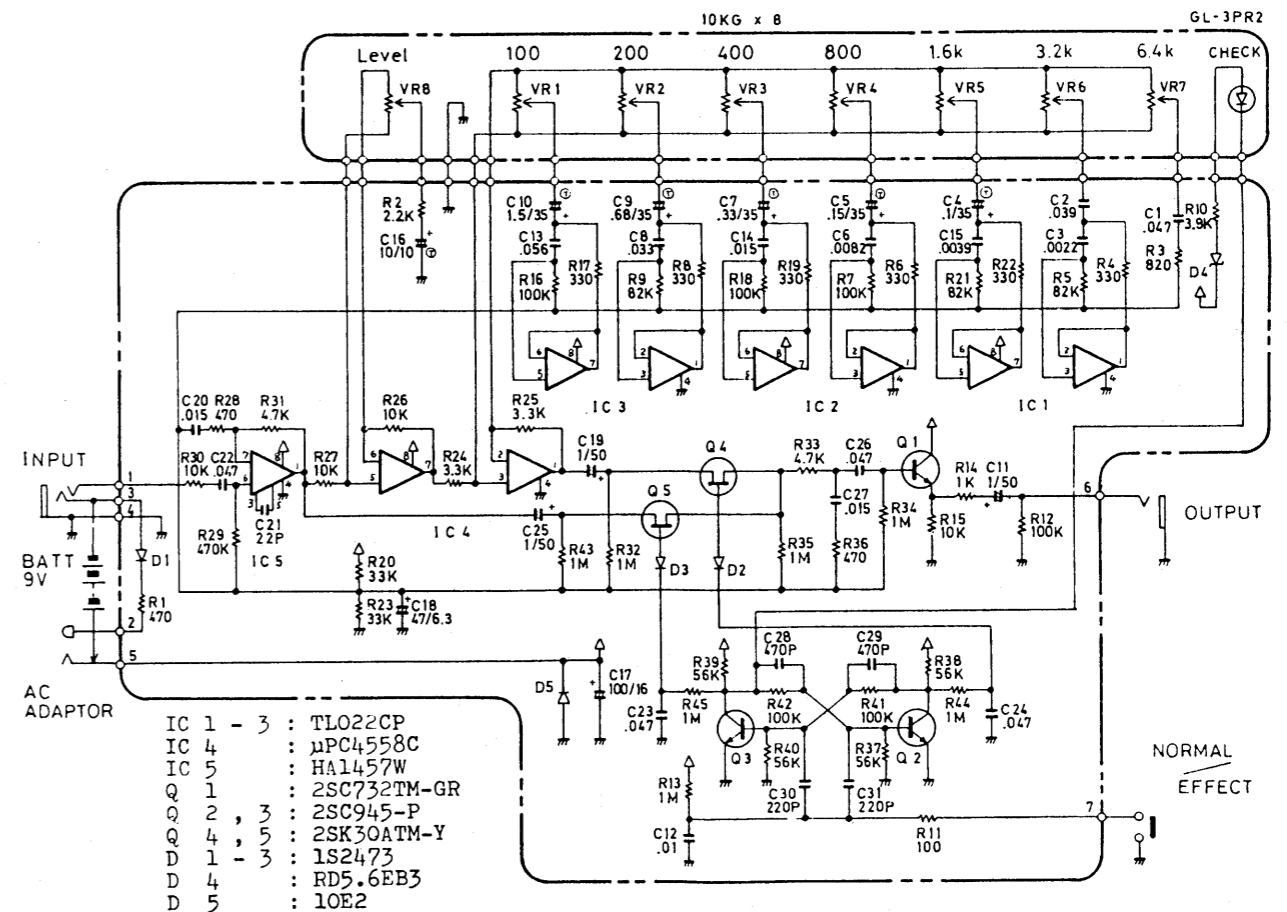
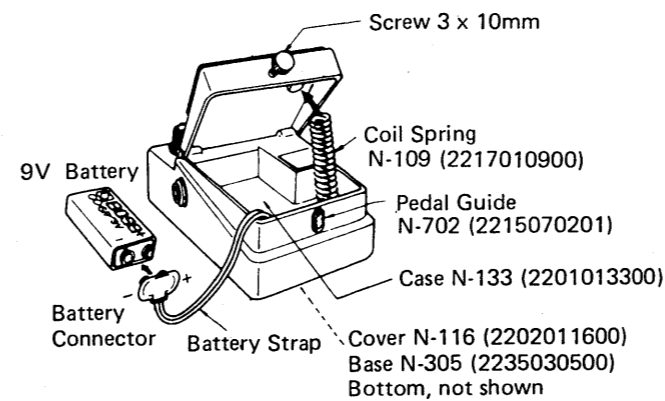
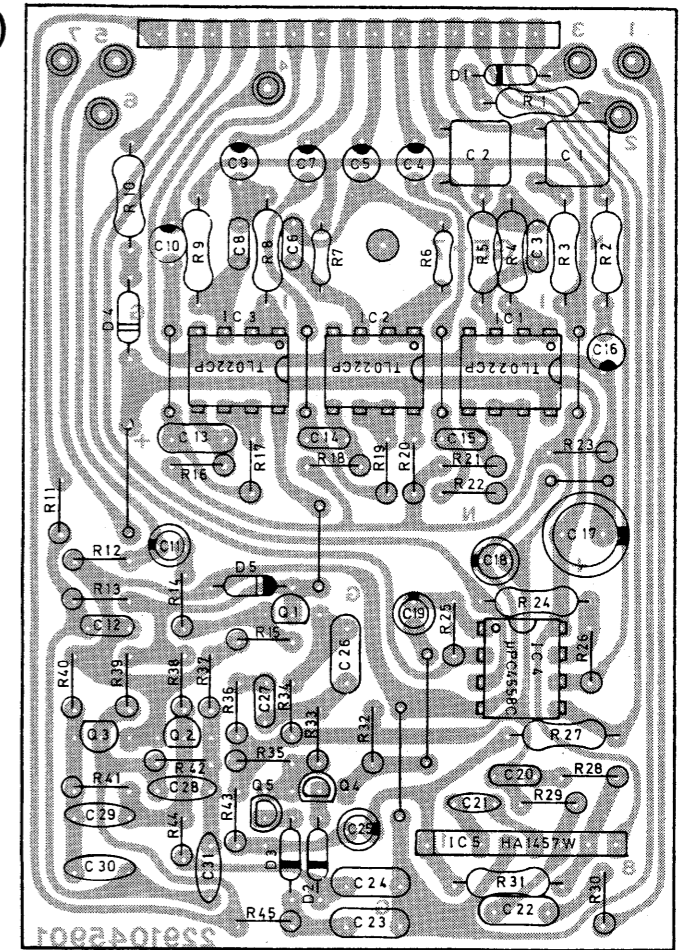


PARTS LIST

| | | | | |
|------------|------------------------|----------------------------|----------------------|--|
| 2201013300 | Case | N-133 | | |
| 2218051900 | Pedal | N-519 | | |
| 2202011600 | Cover | N-116 bottom | | |
| 2235030500 | Base | N-305 bottom | | |
| 2235030400 | Base | N-304 pedal matt | | |
| 2215070201 | Guide bushing | N-702A | | |
| 2226030500 | Cushion | N-305 pcb | | |
| 2216050200 | Spacer | N-502 pcb | | |
| 2217010900 | Spring coil | N-109 | | |
| 2247011600 | Knob | N-116 | | |
| 2221025700 | Panel | N-257 | | |
| 13129710 | Switch | J-MO404 | | |
| 22150501 | Long nut (spacer) | N-501 | | |
| | | 3x10mm | | |
| 2343097300 | Flat cable | N-973 | | |
| | | 15F-13MM | | |
| | PCB | | | |
| 7521551001 | ET5215-510A assy | main | | |
| | (pcb 2291045901) | | | |
| 7521552000 | ET5215-520A assy | sub | | |
| | (pcb 2291046001) | | | |
| | | | SEMICONDUCTOR | |
| 15139101 | 2SK30A(TM)-Y | FET | | |
| 15129108 | 2SC945-P | transistor | | |
| 15129104 | 2SC732TM-GR | transistor | | |
| 15019103 | 1S2473 | diode | | |
| 15019526 | RD5.6EB-3 | zener | | |
| 15019209 | 10E2 | diode | | |
| 15029113 | GL-3PR2 | LED | | |
| 15189105 | μPC4558C | BP MON Dual op amp | | |
| 15189502 | HA1457W | Preamplifier | | |
| 15189115 | TL022CP | BP MON Dual op amp | | |
| | | | POTENTIOMETER | |
| 13339327 | EVA-HHIS15G14 | 10KG slide | | |
| | | | JACK | |
| 13449105 | SG-7615 | | | |
| 13449104 | SG-7713 | | | |
| 13449704 | HEC-0749-1-1 | AC adaptor | | |
| | given the | matted finish version of | | |
| | same code | HECO317 mounted on earlier | | |
| | products in the family | | | |

1 2 3 4 5 6 7 8 9 10 11 12 13 14 15 16 17 18 19

ET5215-510A (7521551001)
 (pcb 2291045901)



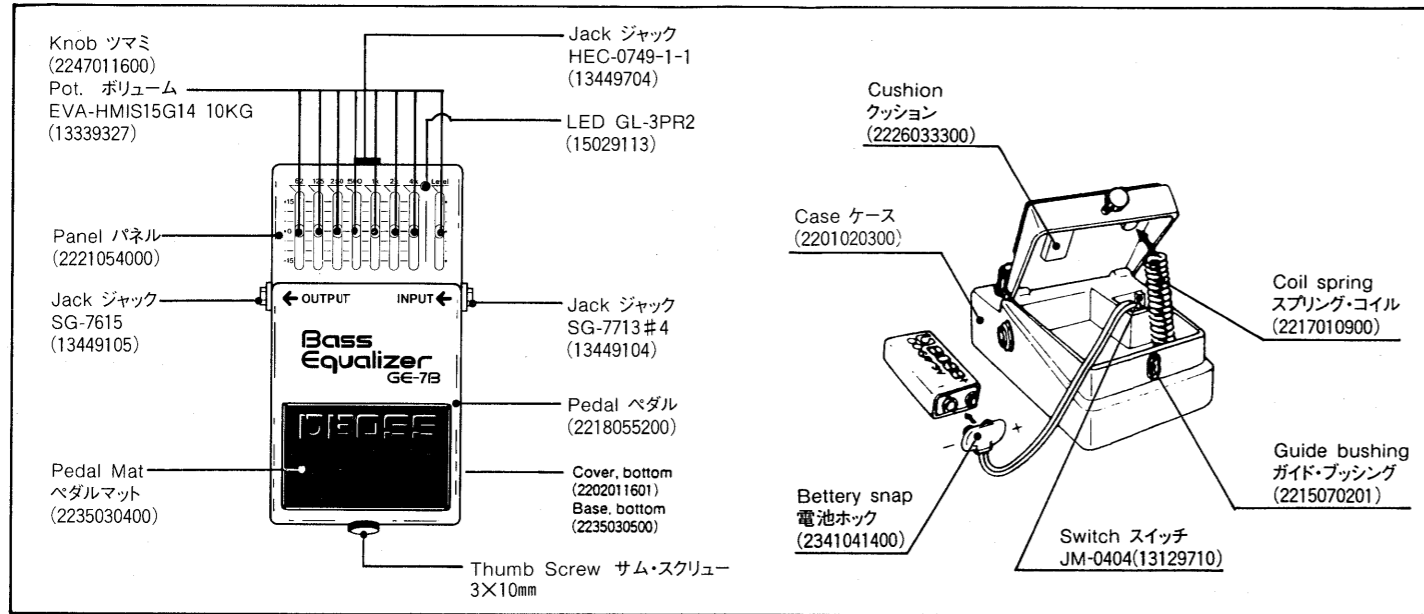
A B C D E F G H I J K L M N O P Q R S T U V

GE-7B

SPECIFICATIONS

Power Source.....9V BatteryX1 or AC adaptor(BOSS ACA Series)
 Current Draw.....12mA@9V
 Equalizer.....7bands ±15dB
 62Hz/125Hz/250Hz/500Hz/1kHz/2kHz/4kHz
 Level Control.....±15dB(Center 0dB)
 Residual Noise.....Less than -100dBm(IHF-A)

Input Impedance.....470kΩ
 Output Load Impedance.....More than 10kΩ
 Dimensions.....70(W)X55(H)X125(D)mm
 2-3/4(W)X2-1/4(H)X5(D)in.
 Weight.....400g/14oz



PARTS LIST

CASING

| | |
|------------|-----------|
| 2201020300 | Case |
| 2221054000 | Panel |
| 2202011601 | Cover |
| 2235030500 | Base |
| 2218055200 | Pedal |
| 2235030400 | Pedal Mat |

KNOB

2247011600

PCB ASSY

| | | |
|------------|----------|------------------|
| 7524052000 | MT Board | (pcb 2292044200) |
| 7524053000 | VR Board | (pcb 2292044400) |

IC

| | | |
|----------|---------|---------|
| 15189171 | M5218P | Op amp |
| 15189508 | HA12017 | pre amp |

DIODE

| | | |
|------------|-----------|-------|
| 15019107 | DS-442 | |
| 15019209T0 | S-5500G | |
| 15019526 | RD5.6EB-3 | zener |
| 15029113 | GL-3PR2 | LED |

TRANSISTOR

| | | |
|------------|------------|-----|
| 15129120 | 2SC2240-GR | |
| 151291290R | 2SC1685R | |
| 15139101 | 2SK30A-Y | FET |

JACK

| | | |
|----------|-----------------|------------|
| 13669704 | HEC-0749-01-010 | AC adaptor |
| 13449105 | SG-7615 | |
| 13449104 | SG-7713#4 | |

SWITCH

| | | |
|----------|---------|--|
| 13129710 | JM-0404 | |
|----------|---------|--|

POTENTIONMETER

| | | |
|----------|---------------|------|
| 13339327 | EVA-HMIS15G14 | 10KG |
|----------|---------------|------|

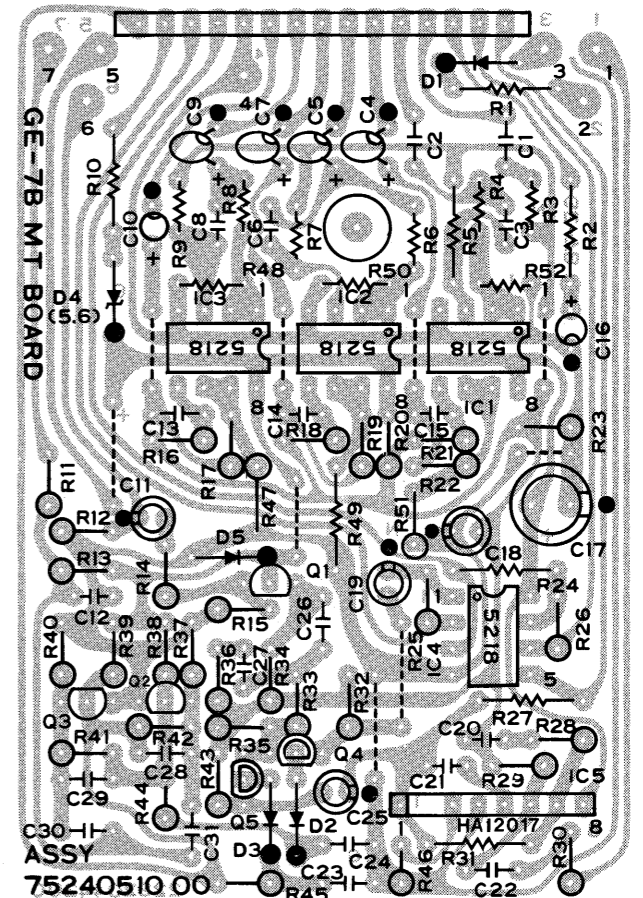
MISCELLANEOUS

| | | |
|------------|---------------|----------|
| 2215070201 | Guide Bushing | |
| 2226033300 | Cushion | |
| 2217010900 | Coil Spring | |
| 2341041400 | Battery Snap | |
| 2216052900 | Plastic Sheet | clear |
| 2224041300 | Pot Mask | |
| 2343097301 | Flat Cable | 15P 18mm |

1 2 3 4 5 6 7 8 9 10 11 12 13 14 15 16 17 18

A B C D E F G H I J K L M N O P Q R S T U V

MT BOARD 7524052000 (pcb 2292044200)



VR BOARD 7524053000 (pcb 2292044400)

