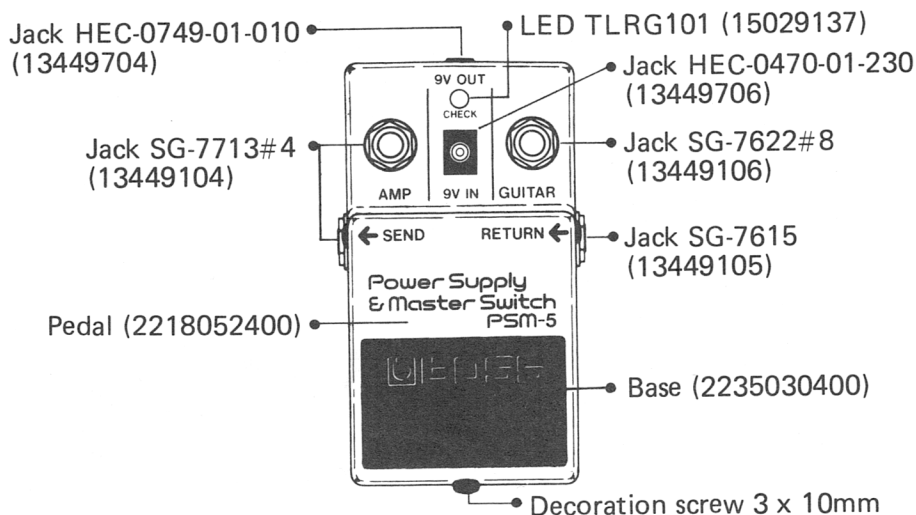
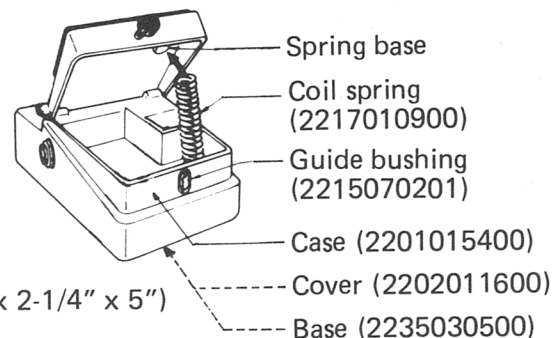


BOSS PSM-5 SERVICE NOTES

First Edition

SPECIFICATIONS

Power 9V DC 200mA
 Current Draw Master Switch section:
 9V DC 13mA
 Input Impedance GUITAR: 1M Ω
 RETURN: 1M Ω
 Output Load Impedance . . AMP: over 10k Ω
 SEND: over 10k Ω
 Gain Unity
 Frequency Response 10Hz - 100kHz (-3dB)
 Dimensions 70(W) x 55(H) x 125(D)mm (2-3/4" x 2-1/4" x 5")
 Weight 340g (12 oz)



PARTS LIST

2201015400	Case	red	
2218052400	Pedal	red	
2202011600	Cover	bottom	(065-130)
2235030400	Base	pedal matt	(111-031)
2235030500	Base	bottom	(111-032)
2215070201	Guide bushing		(068-026)
2226030500	Cushion		(107-053)
2216050200	Spacer	pcb-rear cover	(065-153)
2217010900	Coil spring		(070-059)

JACK

13449704	HEC-0749-01-010	AC adaptor
13449706	HEC-0470-01-230	
13449104	SG-7713#4	(009-036)
13449106	SG-7622#8	(009-012)
13449105	SG-7615	(009-001)

SWITCH

13129710	JM-0404	(001-295)
----------	---------	-----------

PCB

7540251002	Assy ET5402-510(pcb 2291053601)
------------	---------------------------------

SEMICONDUCTOR

15189102	NJM4558DD	IC	(020-071)
15139101	2SK30ATM-Y	FET	(017-014)
152191290R	2SC1687-R	Tr	
15119105	2SA733	Tr	(017-024)
15019523	RD5.1EB-3	Zener	(018-075)
15019103	1S2473	LED	(018-014)
15019209T0	S5500G	diode	
15029137	TLRG101	LED	

The following are not spare parts but available on the commercial basis.

2343075100 Parallel DC cord

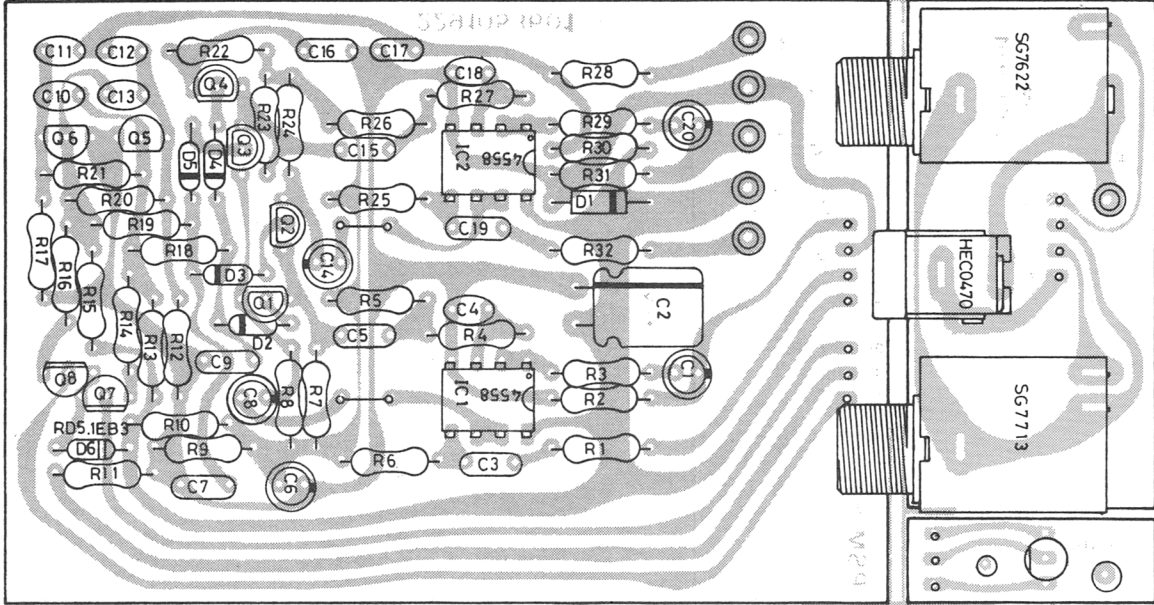
AC ADAPTOR

12449509	PSA-100
12449510	PSA-120
12449511	PSA-220
12449512	PSA-240

ET5402-510 (7540251002)(pcb 2291053601)

1 2 3 4 5 6 7 8 9 10 11 12 13 14 15 16 17 18 19 20 21

A
B
C
D
E
F
G
H
I
J
K
L
M
N
O
P
Q
R
S
T
U
V
W
X
Y
Z



- Q1- Q4 2SK30ATM-Y
- Q5-Q6 2SC945-Y or 2SC1685-R
- Q7-Q8 2SA733-P
- D1 S5500G
- D2-D5 1S2473
- D6 RD5.1EB3
- + - electrolytic cap.
- mylar film cap.
- ceramic disc cap.
- resistor

