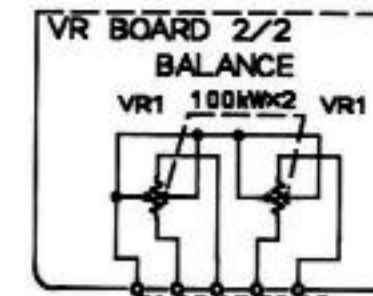
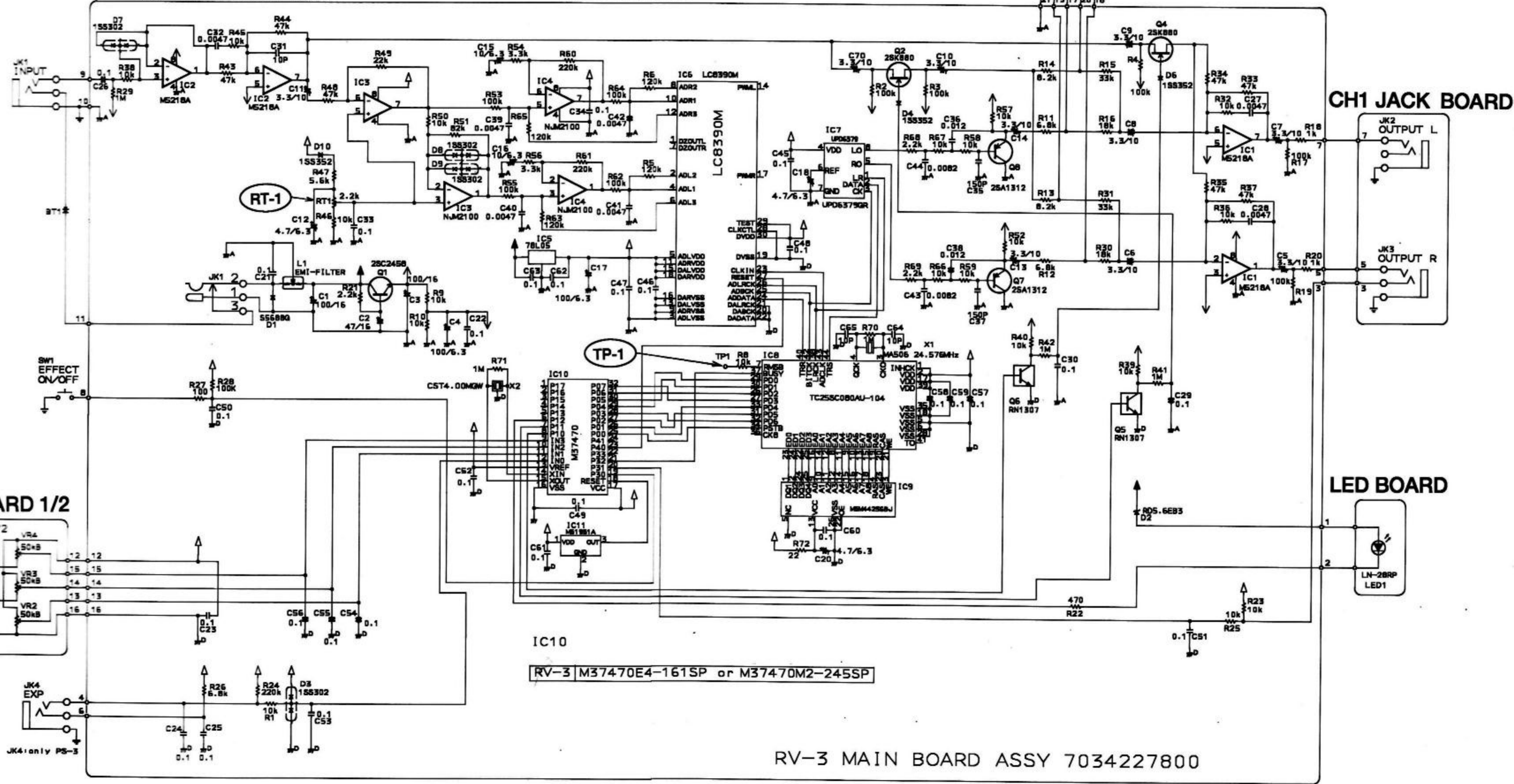


VR BOARD 2/2



RV-3 BOARD

PS-3, RV-3 CIRCUIT DIAGRAM

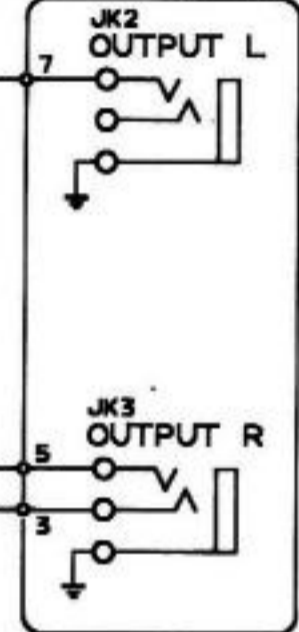


IC10

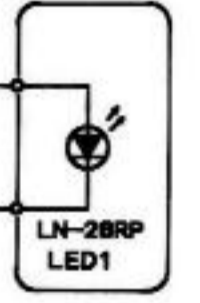
RV-3 M37470E4-161SP or M37470M2-245SP

RV-3 MAIN BOARD ASSY 7034227800

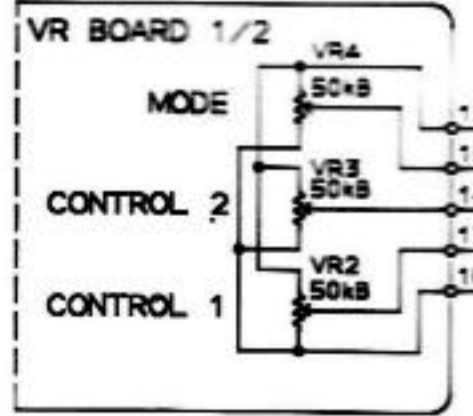
CH1 JACK BOARD



LED BOARD



VR BOARD 1/2



JK4 EXP



JK4 only PS-3