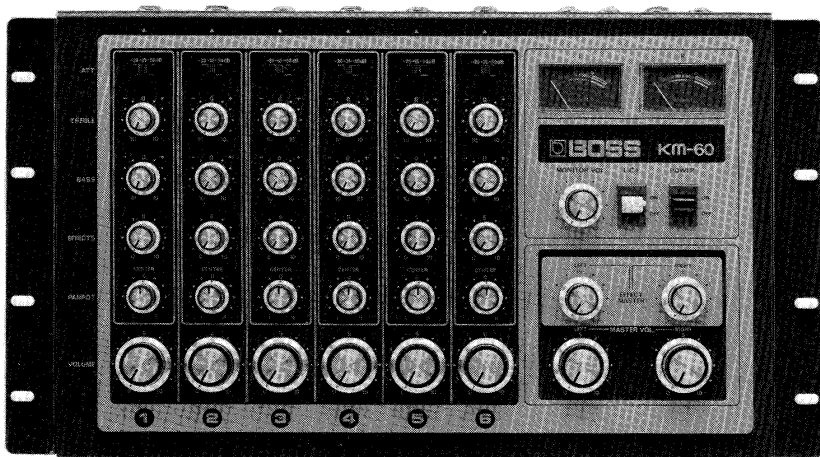


Mixer **KM-60** SERVICE NOTES



BOSS KM-60 SERVICE NOTES

KM-60 SPECIFICATIONS

CHANNEL	INPUT	LEVEL	IMPEDANCE	NO.
EFFECTS	SEND	-50/-35/-20dB	L: 3.9kΩ; H: 33kΩ	6
	RETURN	0dB	300Ω	6
	RETURN	0dB	10kΩ	6
EFFECTS	SEND	0dB	300Ω	1
	RETURN	-26dB	20kΩ	2
MIXED	STACKING	0dB	3kΩ	2
	STEREO MONITOR OUT	-	8Ω	1
	OUTPUT	+4dB(10VU)	300Ω	2

Power consumption 7W
 S/N ratio Over 64dB
 Semiconductors 16 IC's, 6 transistors, 8 diodes
 Dimensions 480(W) x 95(H) x 273(D) mm
 18.9(W) x 3.7(H) x 10.8(D) in
 Weight 4.7kg, 10.4lbs.

PARTS LIST

POWER TRANSFORMERS

022-086C no.86C (100/117v)
 022-086D no.86D (220/240v)

ICs
 020-080 HA-1457
 020-097 μPC4558C

TRANSISTORS
 017-003 2SC1000-GR
 017-008 2SC828-R
 017-012 2SA733-Q
 017-010 2SD234-0
 017-022 2SB434-0

DIODES
 018-022 1N4003
 018-014 132473
 018-024 05215A zener

POTENTIOMETERS
 028-521 EVHBOAK15A250K
 028-514 EVHBOAK15A10K
 028-529 EWKDOAK15B50K dual
 028-508 EVHCCAK15B50K or
 EVH6PA-360B50K
 028-506 EVHCCAK15B10K or
 EVH6PA-460B10K
 028-507 EVHCCAK15B20K or
 EVH6PA-360B20K
 028-006 EVTR4A00B54 50K trim.

PCBs
 141-091A AP-91A Assy
 052-311A AP-91A less parts
 052-219A Lamp Holder less parts

FUSES
 008-024 SGA 0.5A sec.
 (except J type)
 008-050 MGF 0.25A prim.(117v 3P)
 008-063 CBE 500mA sec. (J)
 008-060 CBE 250mA prim. (J)

048-018 Heat Sink SB-7
 120-001 Long Nut no.1 3x10mm (stand off)
 120-003 Long Nut no.3 3x18mm
 141-090B PCB Assy AP-90B
 052-310B AP-90B less parts

Switch
 HSW-478-1-7
 (001-168)

Pot.
 EVHCCAK15 B50K
 (028-508) or
 EVH6PA360B50K

Pot.
 EVHCCAK15 B10K
 (028-506) or
 EVH6PA360B10K

Pot.
 EVHCCAK15B20K
 (028-507) or
 EVH6PA360B20K

* Jacks not defined: TJ-241-2 (009-004)

Line Cord Strain Relief

EA-5

Jack TJ240-1 (009-003)

Meter
 BK-560 (046-004)

Lamp
 BQ045-32704A (025-007)

Chassis
 NO.192 (061-192)

Rack Angle
 NO.162 (064-162)

Pot.
 EWKDOAK15B50K x 2
 (028-529)

Knob
 TK-1113 (016-026)

Switches
 MS-311(blk) (001-261B)
 MS-311(wht) (001-261W)

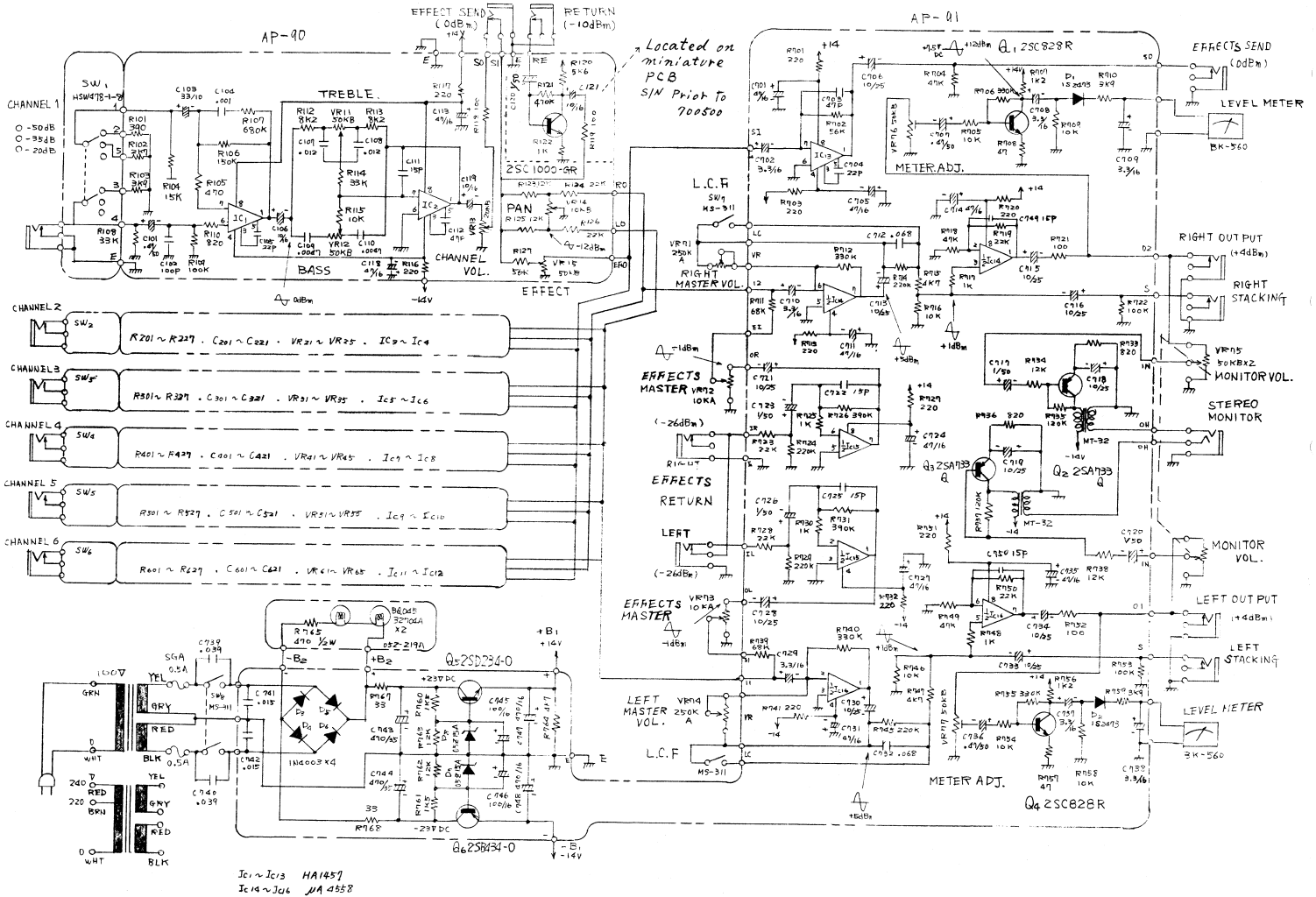
Pot.
 EVHBOAK15A10K
 (028-514)

Pot.
 EVHBOAK15A250K (028-521)
 Knob
 TK-1112 (016-020)

Cover
 NO.163 (065-163)

Rubber foot
 G-14 (111-025)

Jack
 SG-7615 (009-001)



IC1 ~ IC6 HA1457
 IC14 ~ IC16 JA 4552

