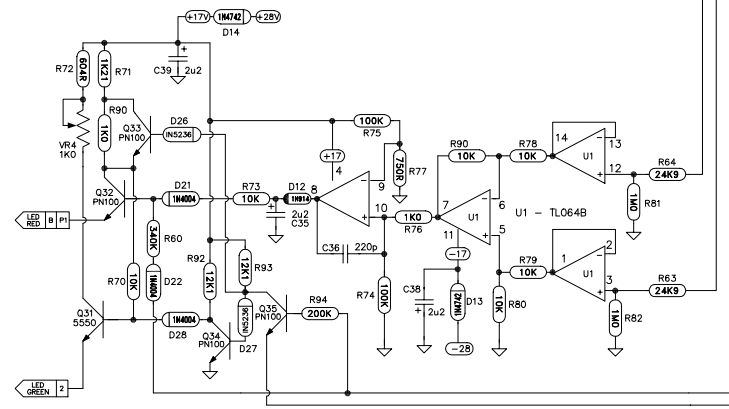
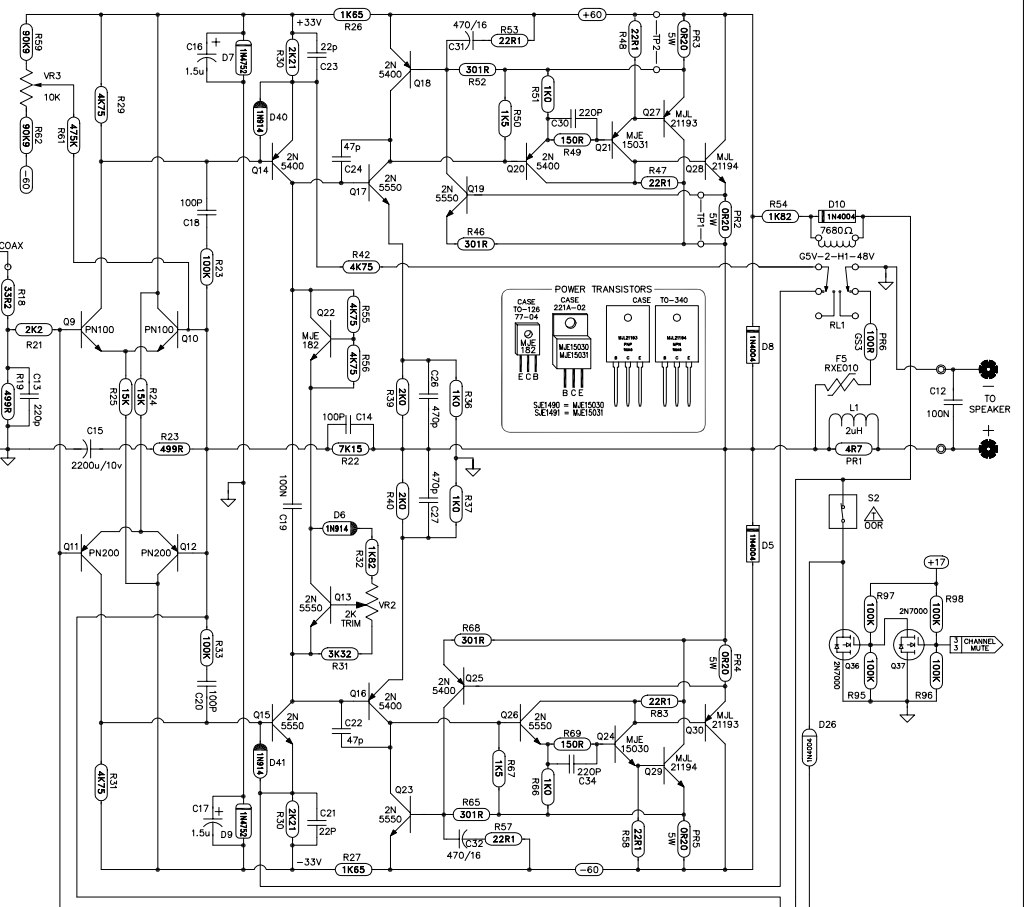


Page 1 of 2

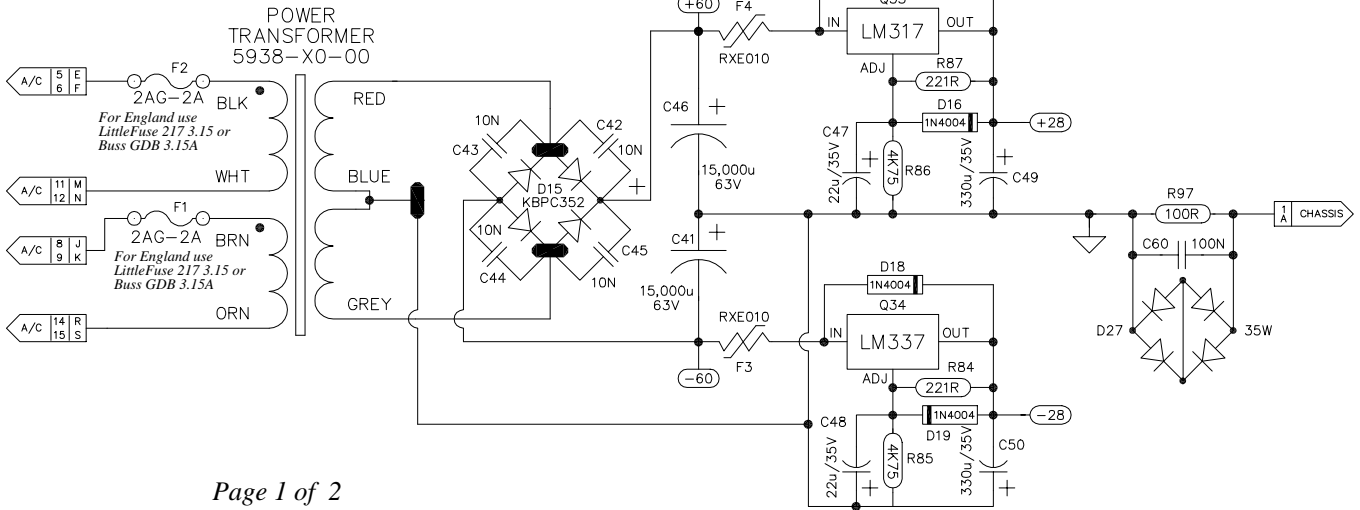
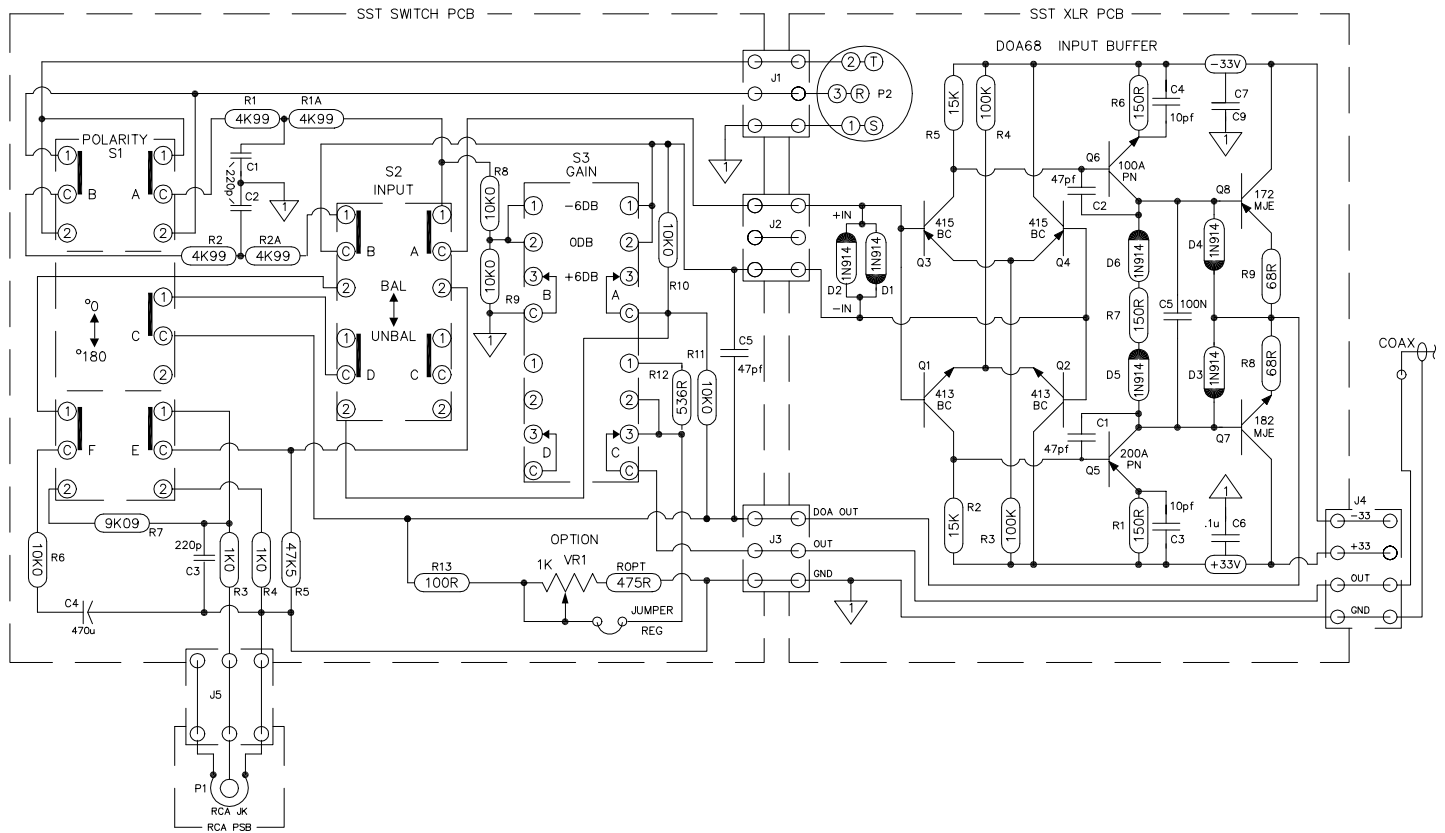
See also "9B-SST SOFT START, LED AND CONTROL SCHEMATIC"

EDGE CONNECTOR P1	ALL RESISTORS ARE 0.6 WATT 1% EXCEPT WHERE NOTED.
INPUT SEL REG ①	REVISION HISTORY
PRO+6dB ②	R10 - CHANGE OF OUTPUT TRANSISTORS - ADD T36
UNBAL ③	Rev 12 23 May 02 WRP
	Fuse for 23W models bound for England chg'd to 3.15A
677 NEAL DR. PETERBOROUGH, ONTARIO CANADA K9J 7Y4 PHONE (705) 742-5325 FAX (705) 742-0882	
9B-SST CHANNEL ASSEMBLY SCHEMATIC	
FILE: 9BSST-SCH12	PART No:
DATE: 23 MAY 2002	DWG BY: SJT
	REV: 12



9B-SST CHANNEL ASSEMBLY SCHEMATIC

Page 2 of 2



Page 1 of 2

See also "9B-SST SOFT START, LED AND CONTROL SCHEMATIC"

EDGE CONNECTOR P1	ALL RESISTORS ARE 0.6 WATT 1% EXCEPT WHERE NOTED.
← PIN #	REVISION HISTORY
INPUT SEL	R10 - CHANGE OF OUTPUT TRANSISTORS - ADD T36
REG ①	Rev 12 23 May 02 WRP Fuse for 230v models bound for England chg'd to 3.15A
PRO+6dB ②	
UNBAL ③	



BRYSTON LTD
677 NEAL DR. PETERBOROUGH, ONTARIO CANADA K9J 7Y4
PHONE (705) 742-5325 FAX (705) 742-0882

9B-SST CHANNEL ASSEMBLY SCHEMATIC

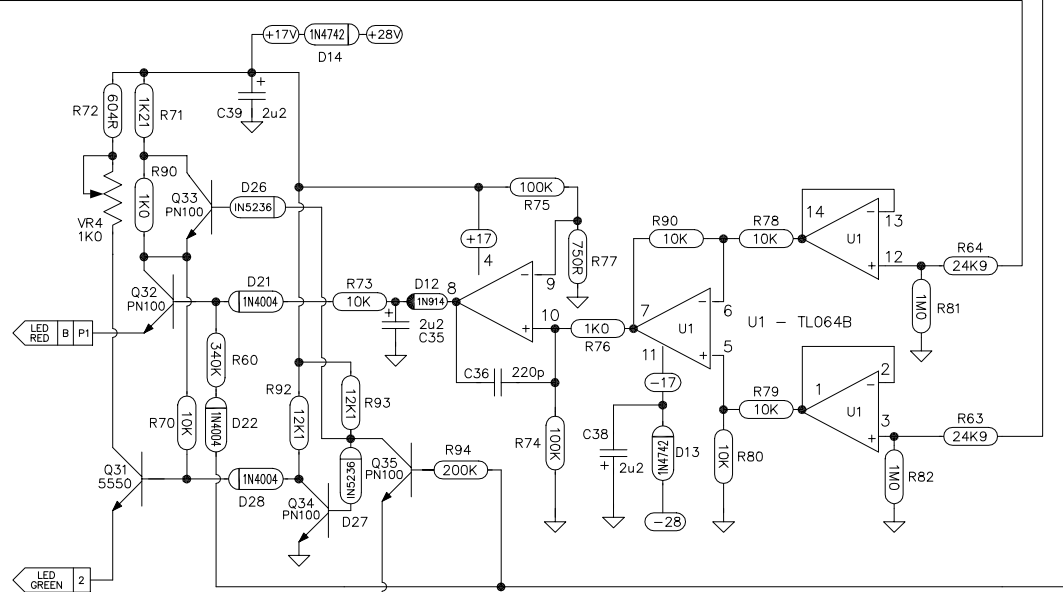
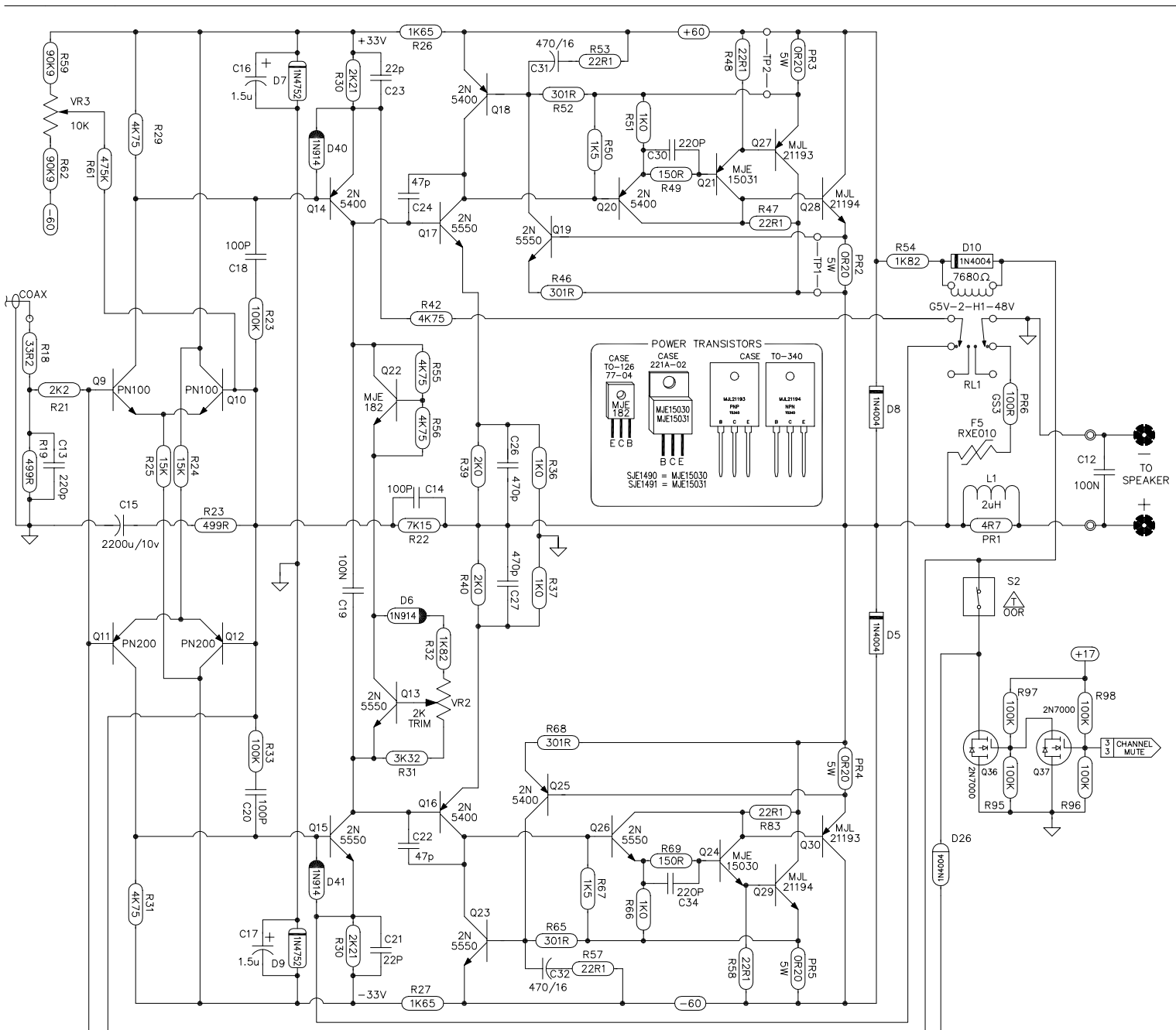
FILE: 9BSST-SCH12

PART No:

DATE: 23 MAY 2002

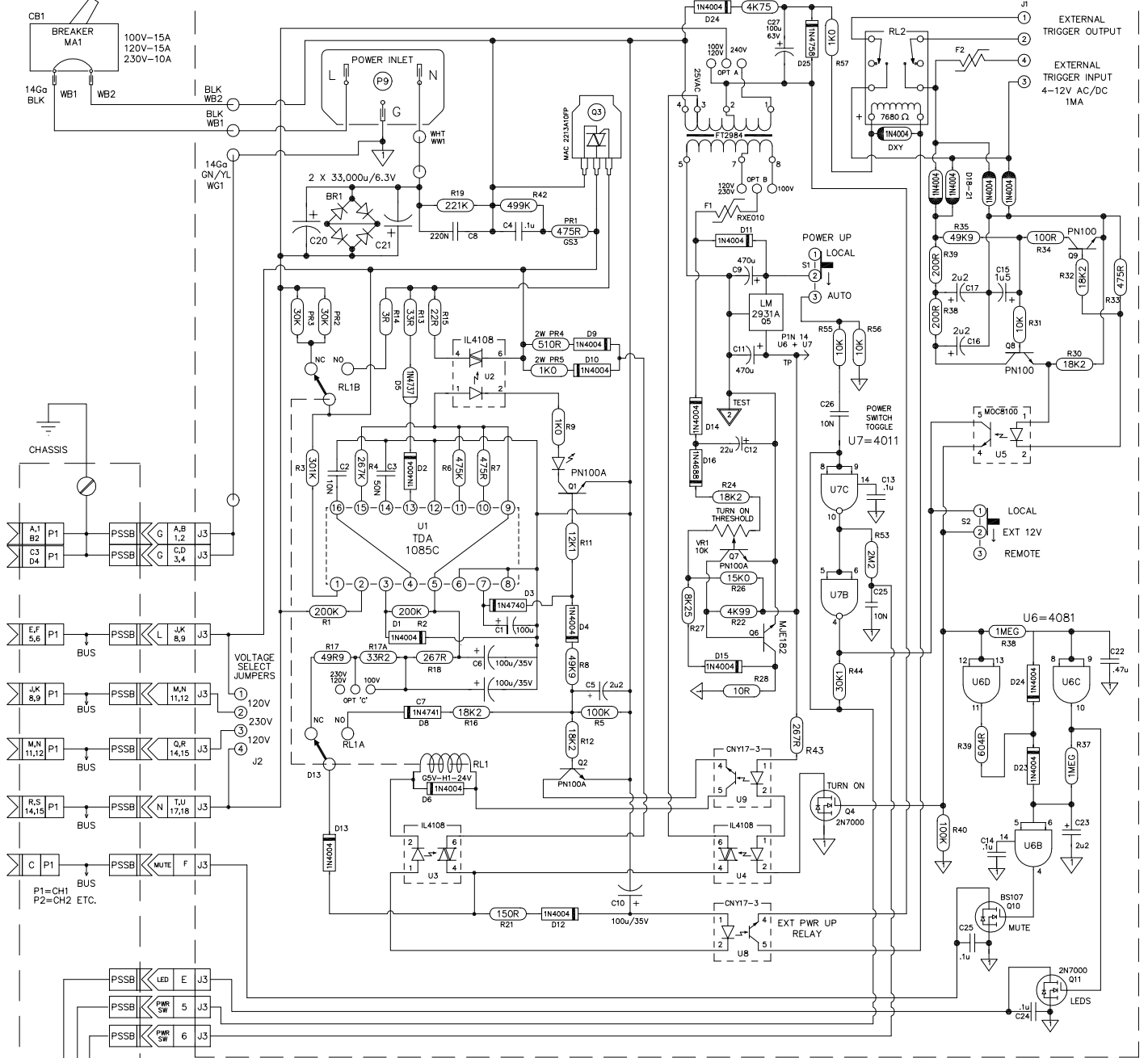
DWG BY: **ST**

REV: 12



9B-SST CHANNEL ASSEMBLY SCHEMATIC

9BSST SSB4



VOLTAGE SELECT JUMPS

1 120V

2 230V

3 20V

4 J2

P1=CH1

P2=CH2 ETC.

PSSB LED E J3

PSSB PAR SW 5 J3

PSSB PAR SW 6 J3

REV 1.2 - JULY 11, 02 ST
 CHANGE R44 TO 30K1
 CHANGE C25 AND C26 TO 10N

NOTES

GROUND SYMBOLS

- POWER GROUND
- CHASSIS GROUND LOGIC
- LOW VOLTAGE COMMON
- CHASSIS GROUND

TRANSISTORS

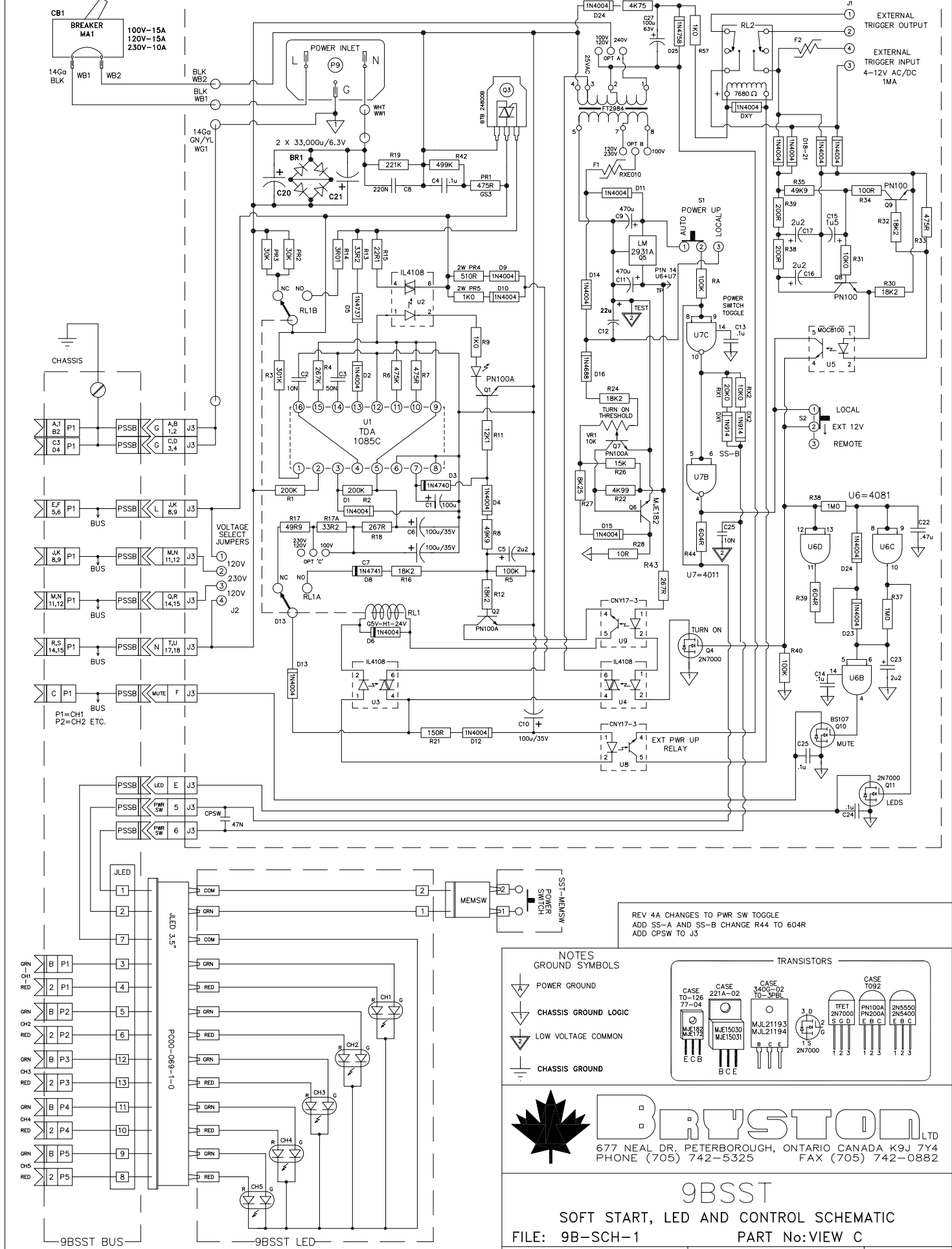
BRYSTON LTD
 677 NEAL DR. PETERBOROUGH, ONTARIO CANADA K9J 7Y4
 PHONE (705) 742-5325 FAX (705) 742-0882

9B-SST SOFT START, LED AND CONTROL SCHEMATIC

See also "9B-SST CHANNEL ASSEMBLY SCHEMATIC"

FILE: 9Bsst-SCH12 PART No: VIEW B

DATE: JULY 11, 02 DWG BY: **ST** REV: 1A



REV 4A CHANGES TO PWR SW TOGGLE
 ADD SS-A AND SS-B CHANGE R44 TO 604R
 ADD CPSW TO J3

NOTES
 GROUND SYMBOLS

- POWER GROUND
- CHASSIS GROUND LOGIC
- LOW VOLTAGE COMMON
- CHASSIS GROUND

TRANSISTORS

CASE TO-18 77-04: MJE182, MJE15031
 CASE 221A-02: MJE15030, MJE15031
 CASE 340G-02 TO-3PBL: MJL21193, MJL21194
 CASE T092: 2N7000, 2N7000, 2N7000
 CASE T092: TFE1, PN100A, 2N5550, 2N5400
 CASE T092: S G D, E B C, E B C

BRYSTON LTD
 677 NEAL DR. PETERBOROUGH, ONTARIO CANADA K9J 7Y4
 PHONE (705) 742-5325 FAX (705) 742-0882

9BSST
 SOFT START, LED AND CONTROL SCHEMATIC
 FILE: 9B-SCH-1 PART No:VIEW C