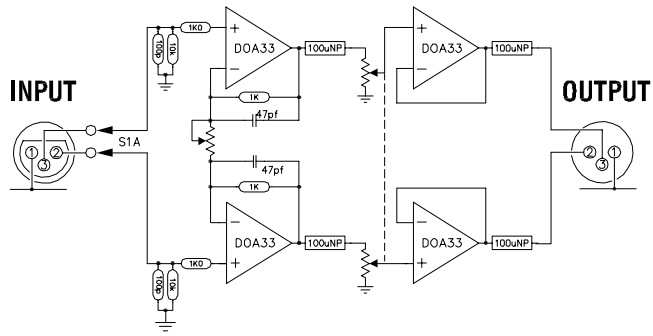
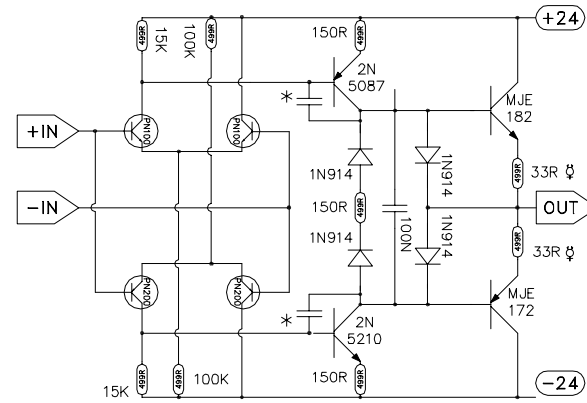


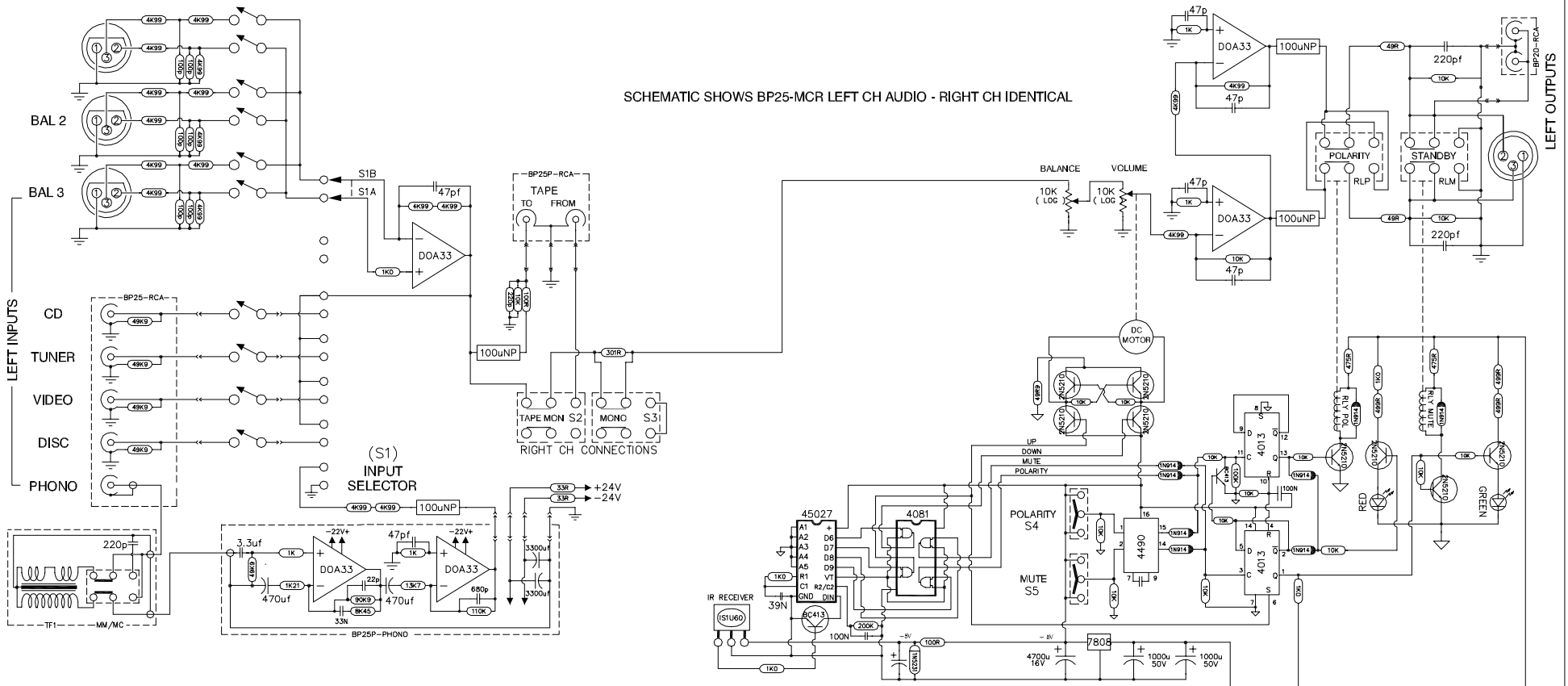
# Conceptual Schematic of Balanced Audio Signal Flow



# Discrete OpAmp Schematic DOA-33



SCHEMATIC SHOWS BP25-MCR LEFT CH AUDIO - RIGHT CH IDENTICAL



**BRVSTON LTD**  
 677 NEAL DR. PETERBOURGH, ONTARIO CANADA K9J 7Y4  
 PHONE (705) 742-5325 FAX (705) 742-0882

**BP26 PREAMP**  
 MAIN SCHEMATIC

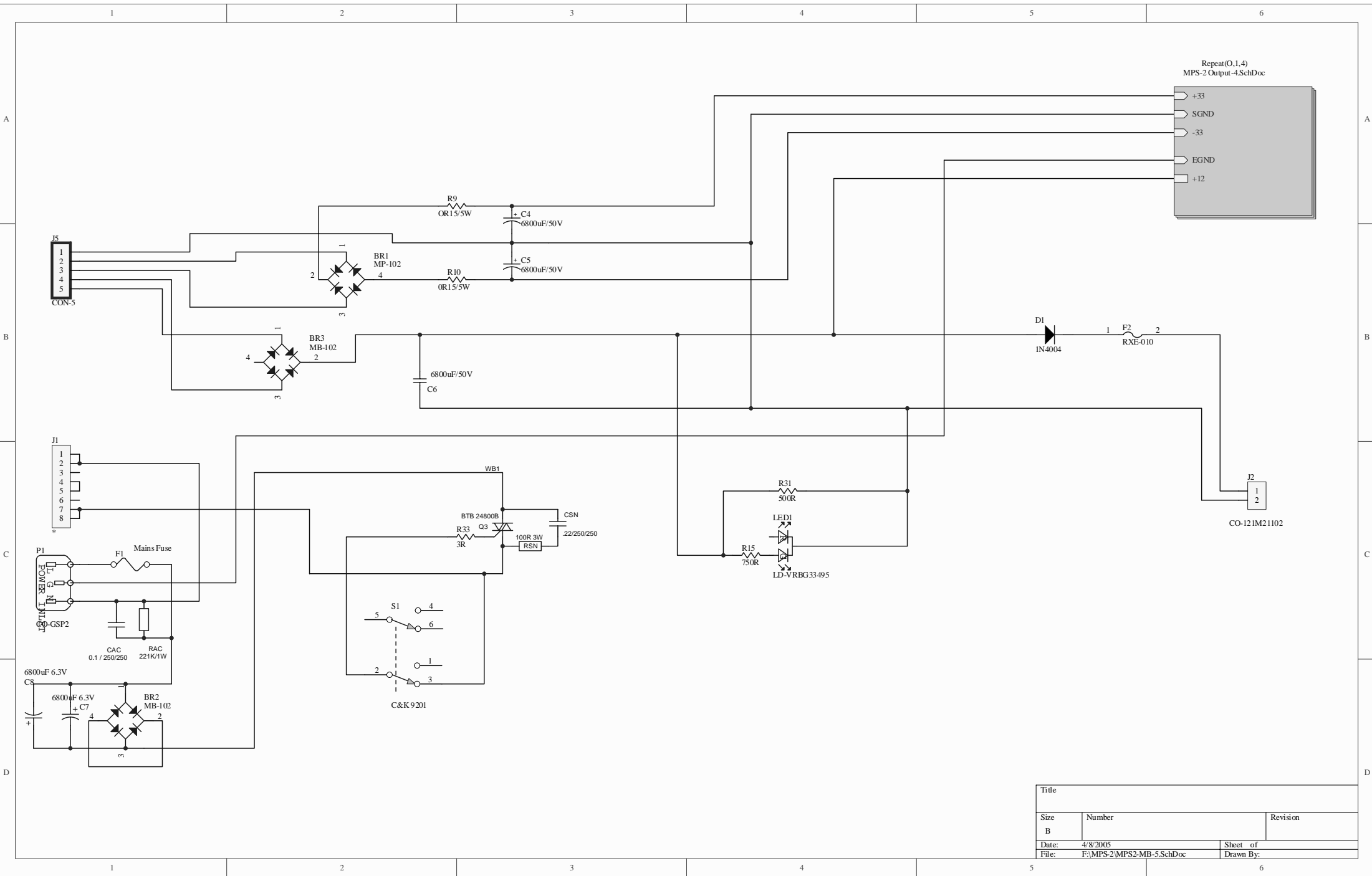
FILE: BP26-SCHEMATIC-1 PART No:  
 DATE: 2005-01-17 DWG BY: REV: 1

**CONNECTION to MPS2 Power Supply**

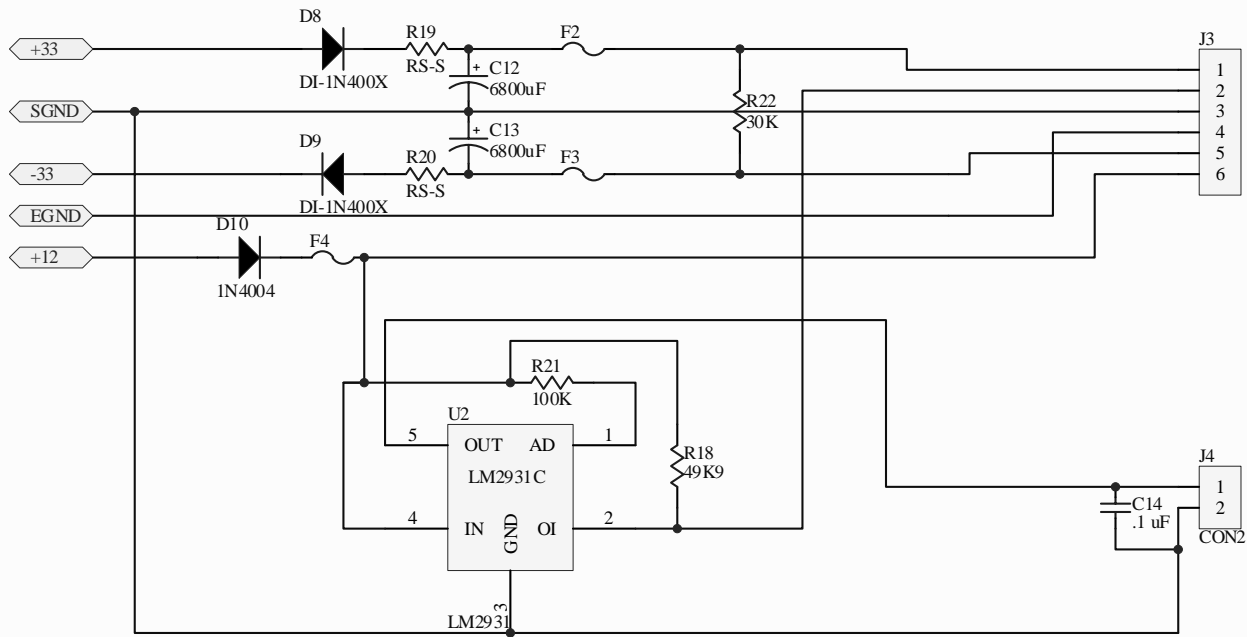
INPUT XLR-6 PIN ASSIGNMENT  
 PIN 1 - +37V  
 PIN 2 - Mute I/O  
 PIN 3 - Sig Gnd  
 PIN 4 - Earth Gnd  
 PIN 5 - -37V  
 PIN 6 - +12V  
 (\* PIN 6 not connected with MPS-1 PS.)

Optional Jumper used only with MPS-1 (not installed with MPS-2)

Optional Jumper shorts signal ground to Chassis (not used)



Title		
Size B	Number	Revision
Date: 4/8/2005	Sheet of	
File: F:\MPS-2\MPS2-MB-5.SchDoc	Drawn By:	



Title		
Size	Number	Revision
A		
Date:	12/22/2004	Sheet of
File:	F:\MPS-2\MPS-2 Output-4.SchDoc	Drawn By: