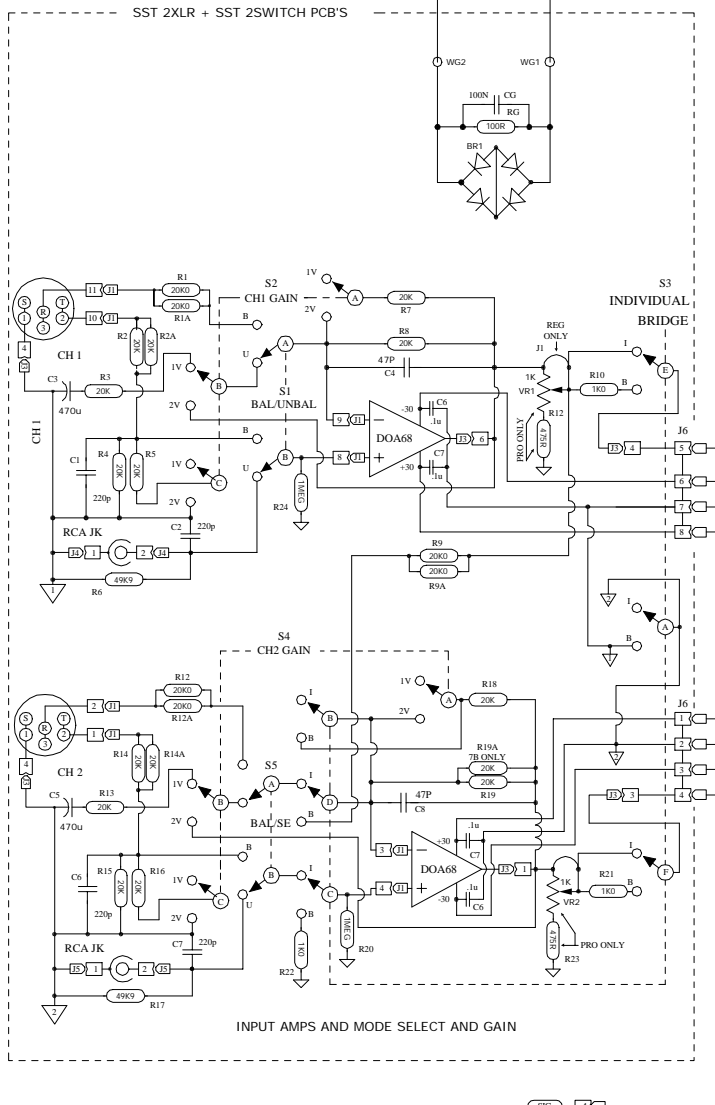
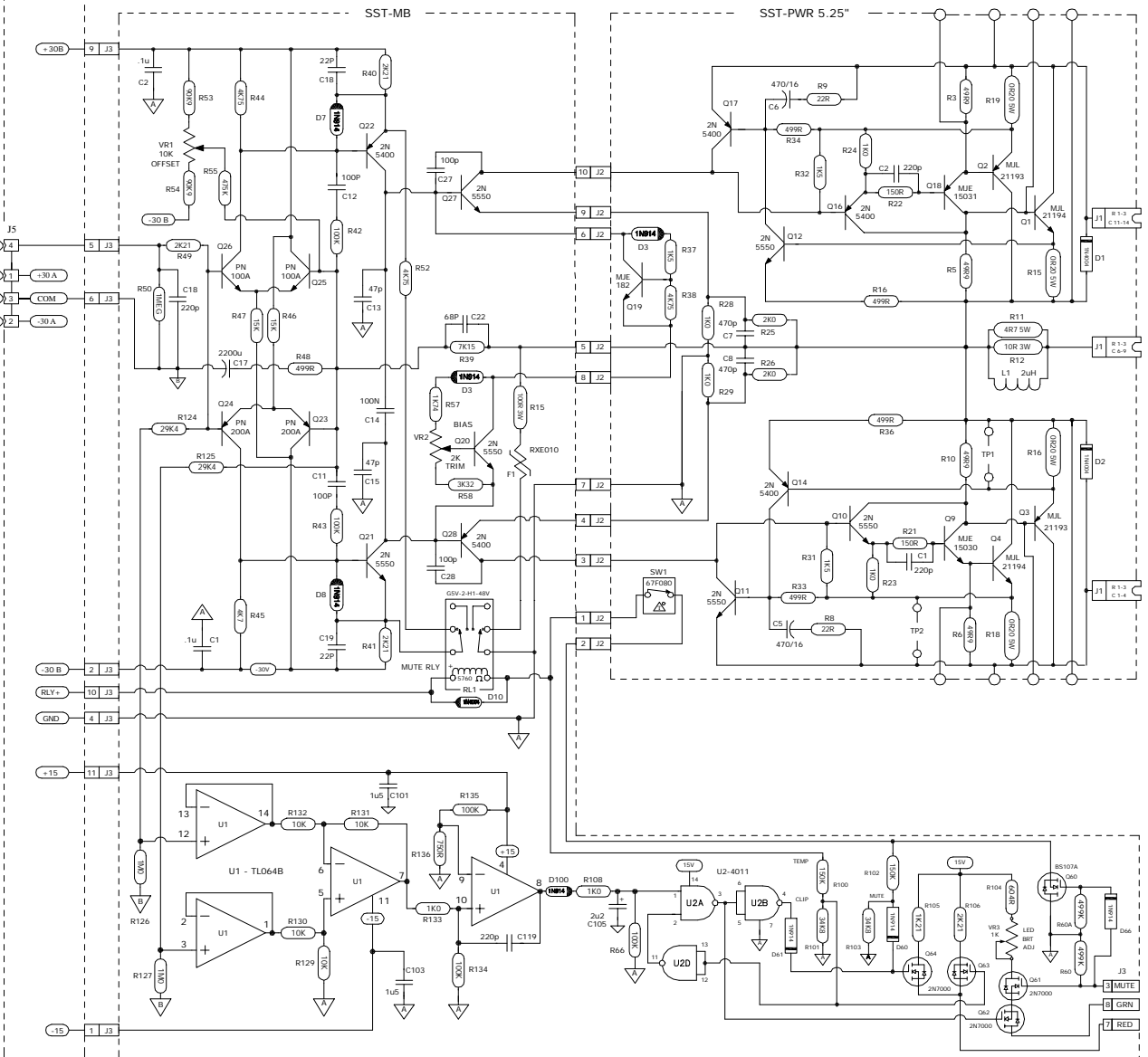
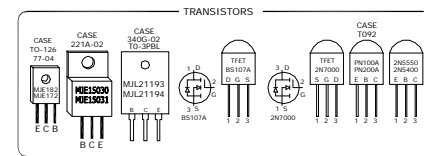


SST 2XLR + SST 2SWITCH PCB'S



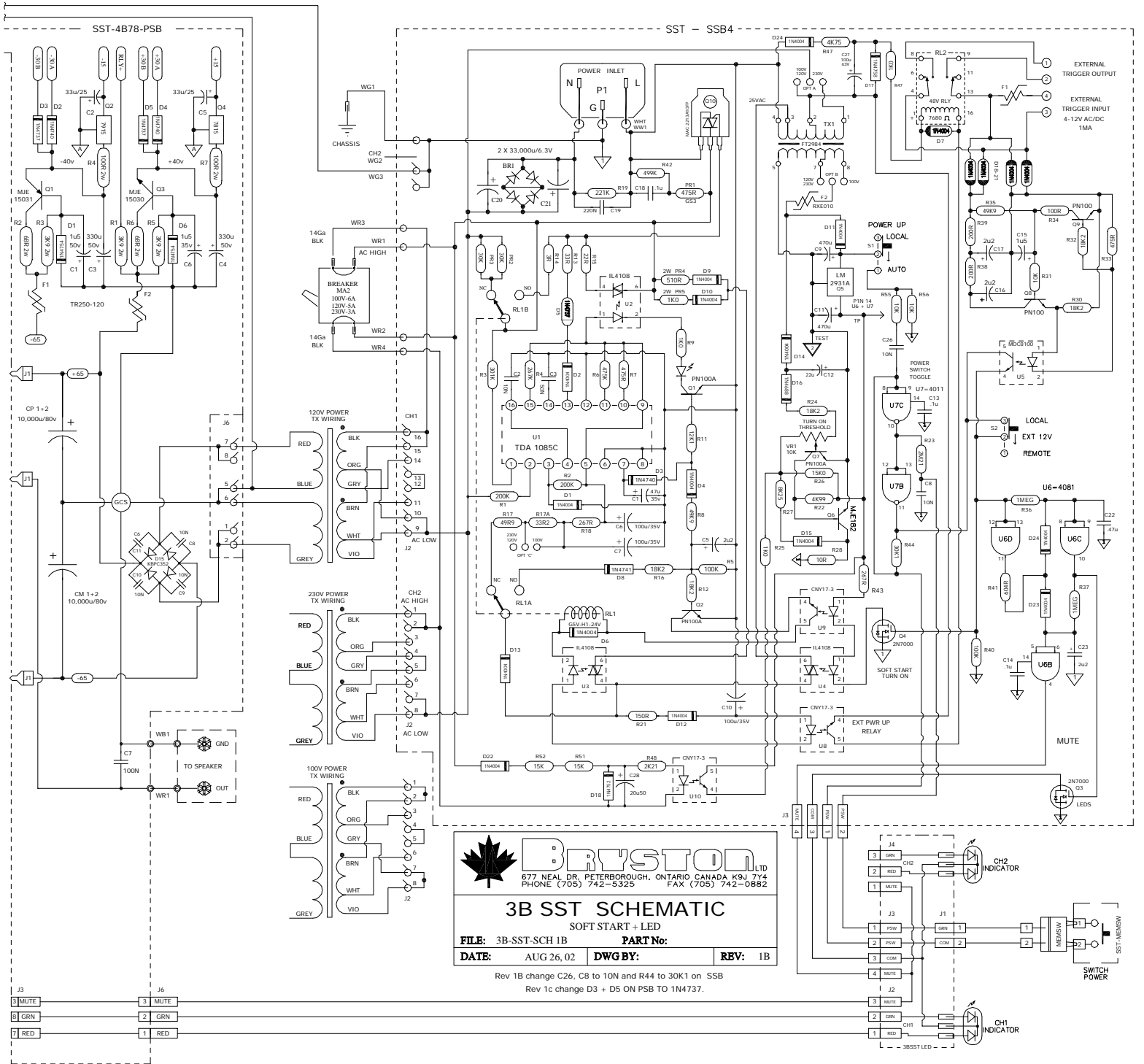
Rev 1c change D3 + D5 ON PSB TO 1N4737.  
 Rev 1B change C26, C8 to 10N and R44 to 30K1 on SSB  
 REV 1A JULY 9, 02  
 ADD R60A 4K99 TO MAIN BOARD



**BRUSTON LTD**  
 677 NEAL DR. PETERBOROUGH, ONTARIO CANADA K9J 7Y4  
 PHONE (705) 742-5325 FAX (705) 742-0882

**3B-SST SCHEMATIC**  
 INPUT - MAIN - POWER AMP

FILE: 3B-SST-SCH-1C PART No:  
 DATE: OCT 18, 02 DWG BY: ST REV: 1C




**BRUYSTON LTD.**  
 677 NEAL DR. PETERBOROUGH, ONTARIO CANADA K9J 7Y4  
 PHONE (705) 742-5325 FAX (705) 742-0882

**3B SST SCHEMATIC**  
 SOFT START + LED  
**FILE:** 3B-SST-SCH 1B **PART No:**  
**DATE:** AUG 26, 02 **DWG BY:** **REV:** 1B

Rev 1B change C26, C8 to 10N and R44 to 30K1 on SSB  
 Rev 1c change D3 + D5 ON PSB TO 1N4737.