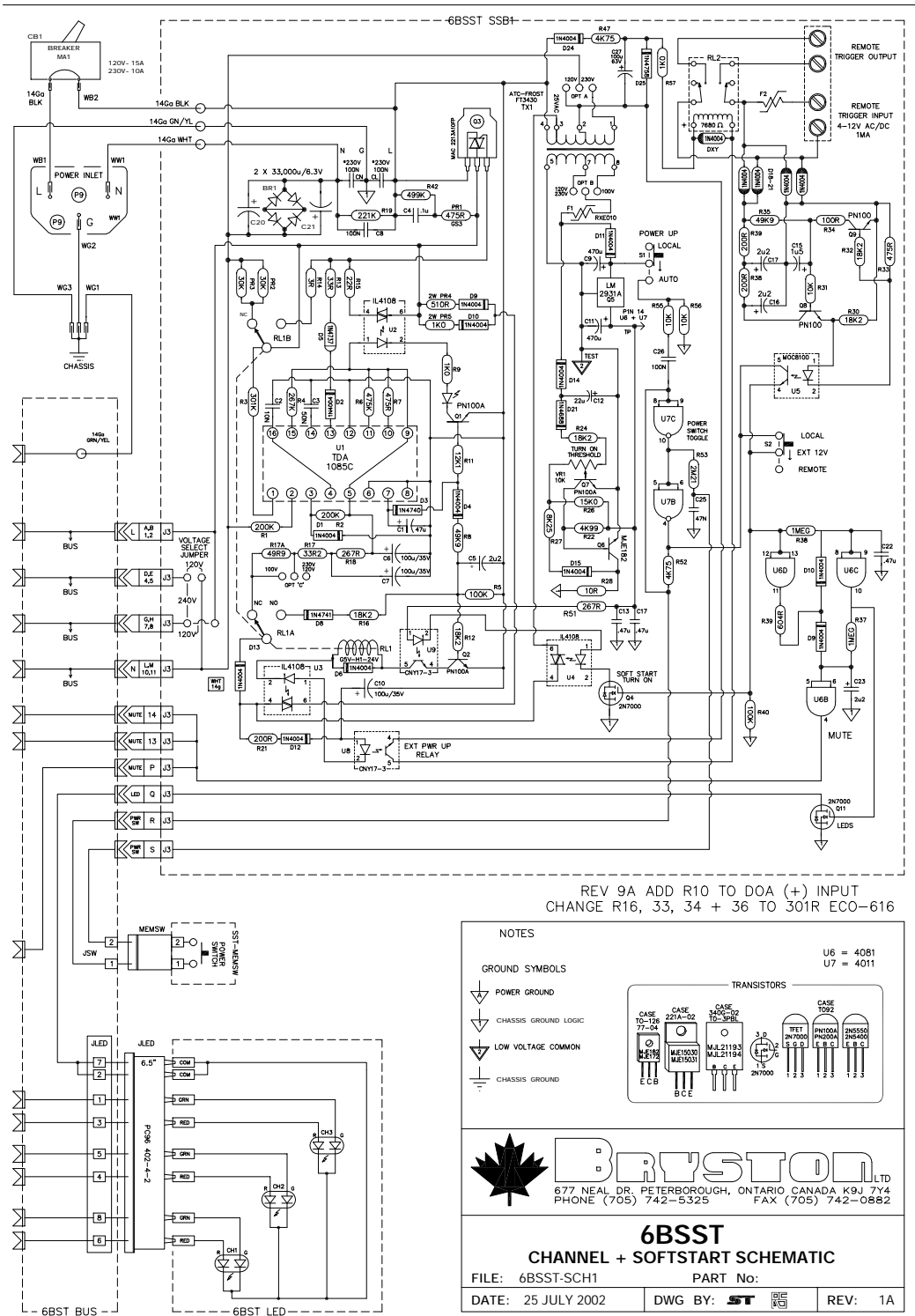


6B-SST CHANNEL & SOFTSTART SCHEMATIC Revision 1A 25 JULY 2002

CH1 SHOWN CH2 & 3 IDENTICAL  
6B-MB



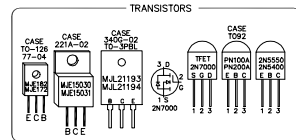
REV 9A ADD R10 TO DOA (+) INPUT  
CHANGE R16, 33, 34 + 36 TO 301R ECO-616

NOTES

- GROUND SYMBOLS
- POWER GROUND
- CHASSIS GROUND LOGIC
- LOW VOLTAGE COMMON
- CHASSIS GROUND

U6 = 4081  
U7 = 4011

TRANSISTORS



**BRYSTON LTD**  
677 NEAL DR. PETERBOROUGH, ONTARIO CANADA K9J 7Y4  
PHONE (705) 742-5325 FAX (705) 742-0882

**6BSST**  
CHANNEL + SOFTSTART SCHEMATIC

FILE: 6BSST-SCH1 PART No:  
DATE: 25 JULY 2002 DWG BY: **ST** REV: 1A