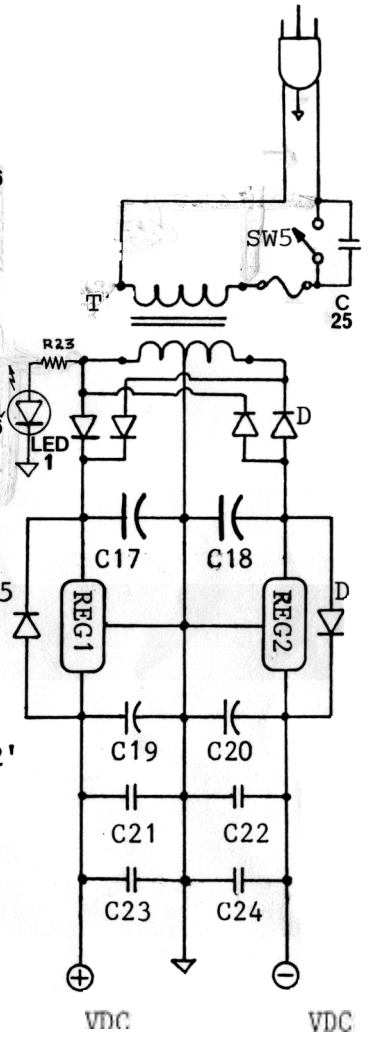
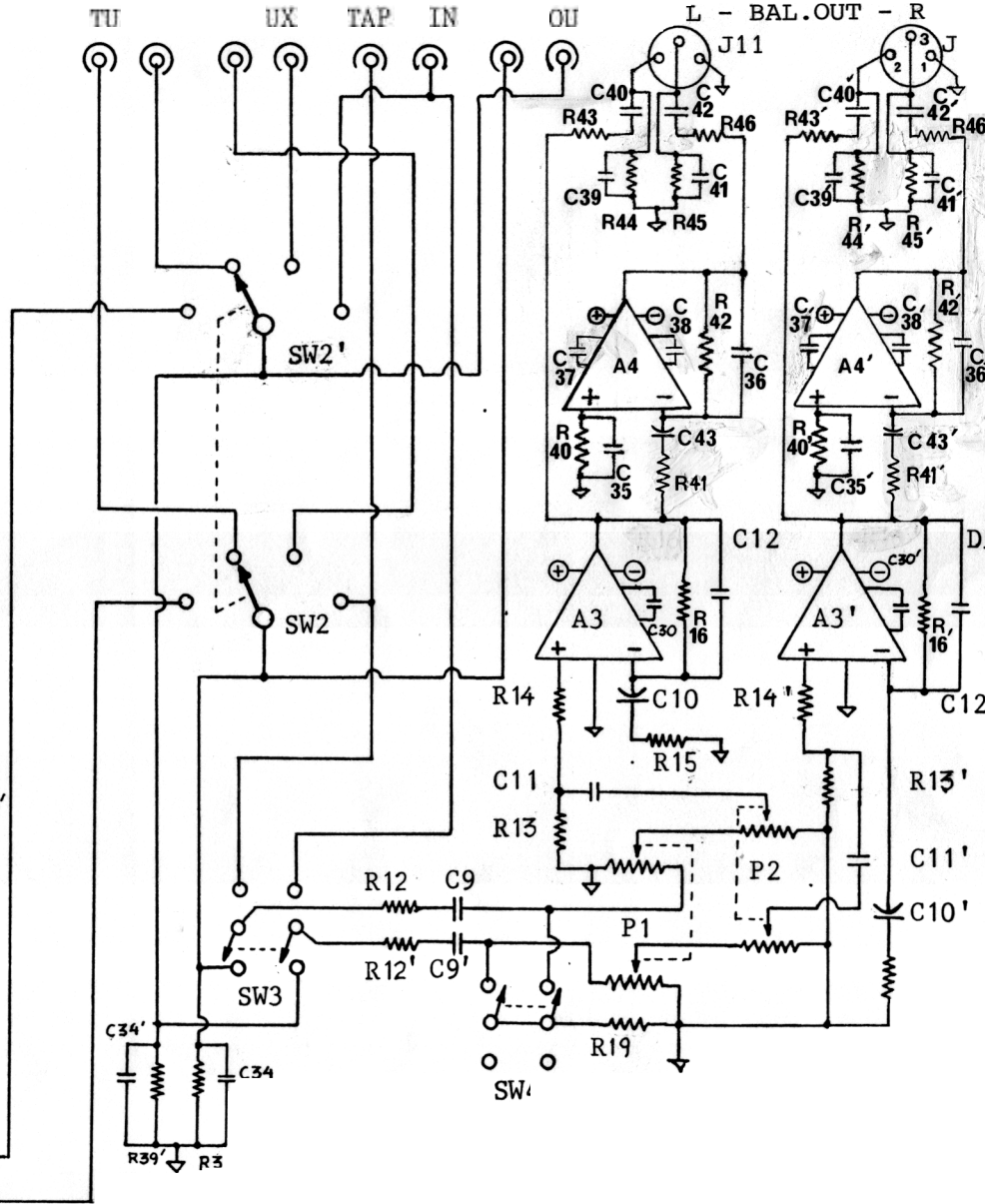
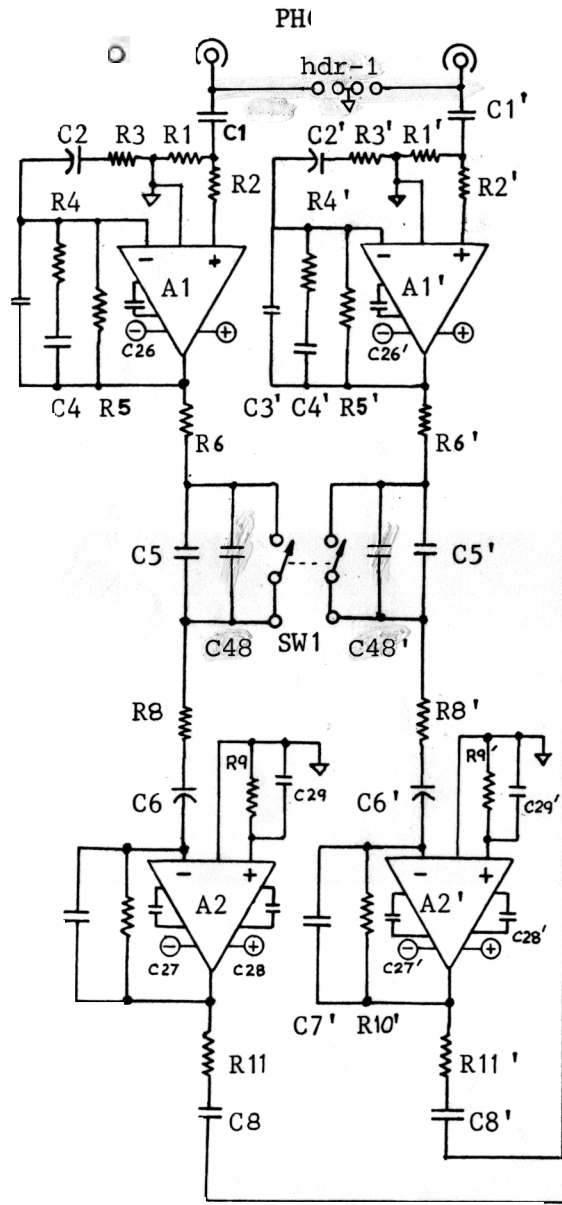


BRYSTON BP5 PROFESSIONAL PREAMP

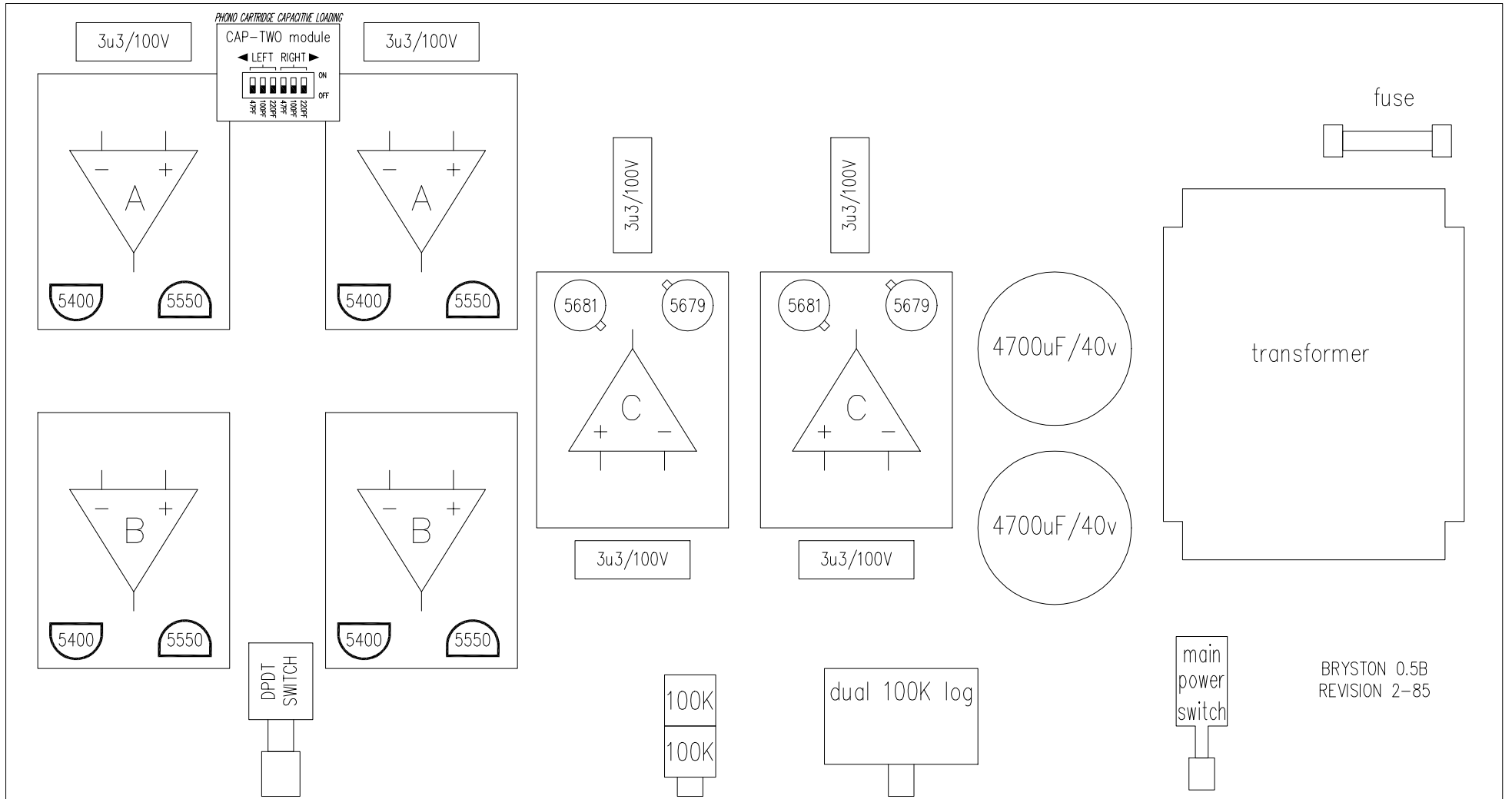


al tpi

JUN



General Layout of the Bryston 0.5B/0.1B Main Board



BRYSTON BP5 PROFESSIONAL PREAMP (Rev. 4-85)

MAIN BOARD PARTS LIST

<u>PART NO.</u>	<u>TYPE/VALUE</u>	<u>DESCRIP</u>
R1,R1'	49K9	½w/1%
R2,R2'	1K00	½w/1%
R3,R3'	1K21	½w/1%
R4,R4'	8K45	½w/1%
R5,R5'	90K9	½w/1%
R6,R6'	100R	½w/5%
R7,R7'	NOT USED	
R8,R8'	13K7	½w/1%
R9,R9'	1K00	½w/1%
R10,R10'	110K	½w/1%
R11,R11'	100R	½w/5%
R12,R12'	4K7	½w/5%
R13,R13'	100K	½w/5%
R14,R14'	1K00	½w/1%
R15,R15'	1K00	½w/1%
R16,R16'	10K0	½w/1%
R17,R17'	NOT USED	
R18,R18'	NOT USED	
R19	220R	½w/5%
R20	NOT USED	
R21	NOT USED	
R22	NOT USED	
R23	3K9	½w/5%
R39,R39'	100K	½w/5%

contd. on page 2

 rev. 1 19 DEC 85
 6 JUNE 85

BRYSTON BP5 PROFESSIONAL PREAMP (Rev.4-85)
--

MAIN BOARD PARTS LIST

<u>PART NO.</u>	<u>TYPE/VALUE</u>	<u>DESCRIP</u>
C1,C1'	3u3	10%/100v/polycarb.
C2,C2'	220u	6v3/electrolytic/axial
C3,C3'	22p	ceramic
C4,C4'	33nf	2%/63v/polystyrene
C5,C5'	330n	10%/100v/polycarb
C6,C6'	220u	6v3/electrolytic/axial
C7,C7'	680n	2%/125v/polystyrene
C8,C8'	3u3	10%/100v/polycarb.
C9,C9'	3u3	10%/100v/polycarb.
C10,C10'	220u	6v3/electrolytic/axial
C11,C11'	3u3	10%/100v/polycarb.
C12,C12'	22p	ceramic
C13,C13'	3u3	10%/100v/polycarb
C14,C14'	NOT USED	
C15	NOT USED	
C16	NOT USED	
C17,C18	4700u	50v/electrolytic/radial
C19,C20	47u	50v/electrolytic/radial
C21-C24	100n	10%/100v/polycarb.
C25	10n	600v/ceramic disc
C26,C26'	22p	ceramic
C27,C27'	22p	ceramic
C28,C28'	22p	ceramic
C29,C29'	22p	ceramic
C30,C30'	22p	ceramic
C34,C34'	220p	2%/250v/polystyrene
C48, C48'	47n	10%/100v/polycarb

contd. on page 3

 rev.119 DEC 85
 6 JUNE 85

BRYSTON BP5 PROFESSIONAL PREAMP (Rev.4-85) MAIN BOARD PARTS LIST
--

<u>PART NO.</u>	<u>TYPE/VALUE</u>	<u>DESCRIP</u>
A1,A1'	Bryston .5B-OA	discrete operational amplifier
A2,A2'	Bryston .5B-OA	discrete operational amplifier
A3,A3'	Bryston .5B-OA	op amp (R36,R37 = 22R/1w; Q9,Q10 require heat sinks)
D1 - D6	1N4003	200prv/1A diode
LED-1		green/T1-3/4
Z1		
REG-1	MC7824CT	+24v/1A/TO-220/3 pin pos.volt.regulator
REG-2	MC7924CT	-24v/1A/TO-220/3 pin neg.volt.regulator
Q11	NOT USED	
RLY-1	NOT USED	
T1	66vct/.25A	power transformer
F1	100vac/MDL1/1A 120vac/MDL2/10A 220vac/MDL1/8A	slow blow fuse/glass/1" x 1 1/2"
SW-1	DPDT	push button/alternate/pcb mount
SW-2/SW-2'	2P4T	rotary/dual section
SW-3	DPDT	push button/alternate/pcb mount
SW-4	DPDT	push button/alternate/pcb mount
SW-5	DPST	push button/alternate/pcb mount/4A/250vac
J1-J2	RCA	phono jack/right angle/pcb mount/gold plated
J3-J10	RCA	(as above)
J11-J12	XLR	3 pin/male/panel mount
PJ1-PJ2	NOT USED	
P1	100K	dual ganged pot/front-log/rear-anti log
P2	100K	dual ganged pot/log-log
PL1		3 cond/grounded/AC power plug & cord/type SV-18/3