

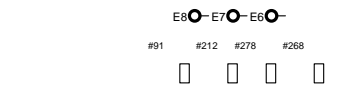
- 4] ADDED AS SECONDARY OPERATION.
2. ALL CAPACITORS IN MICROFARADS, EXCEPT AS NOTED.
1. ALL RESISTORS IN OHMS

NOTES: UNLESS OTHERWISE SPECIFIED.

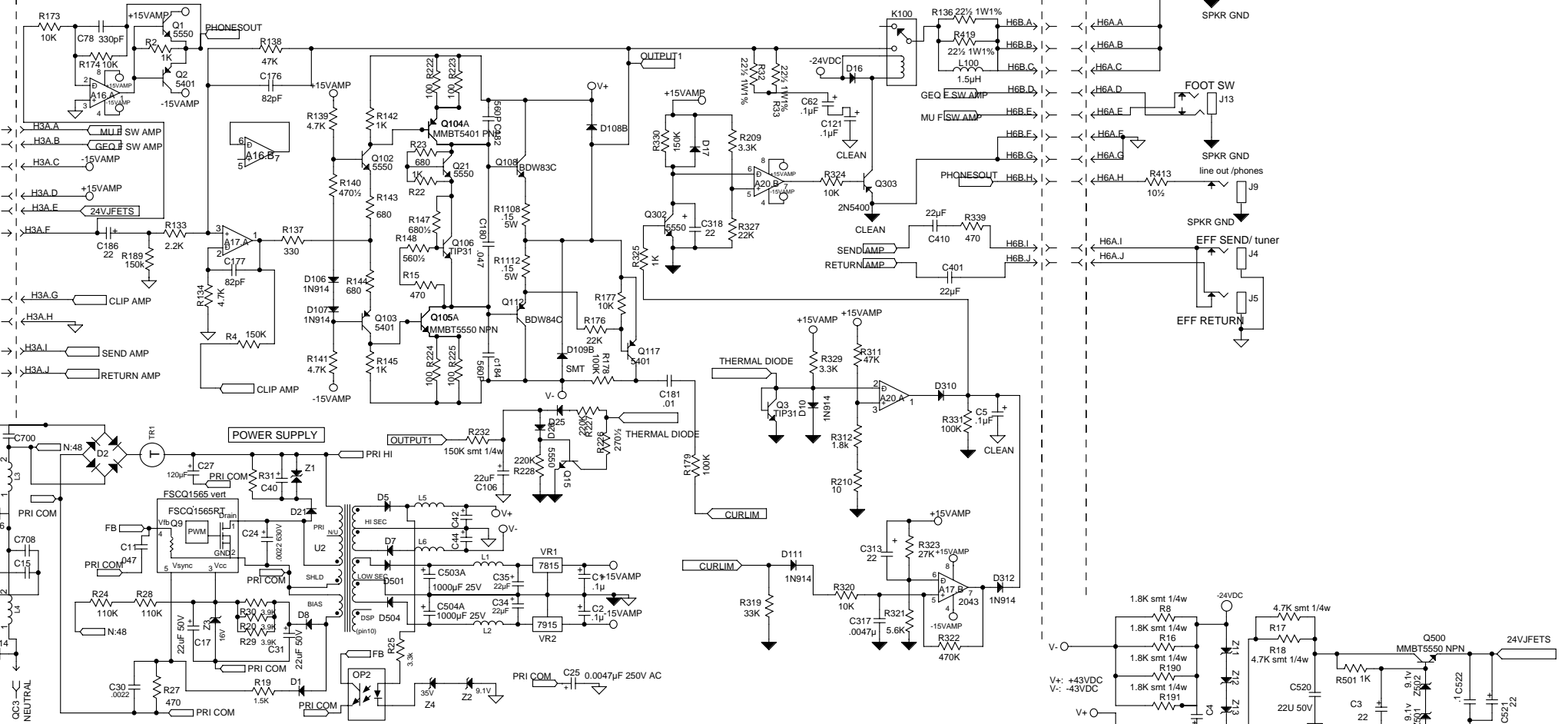
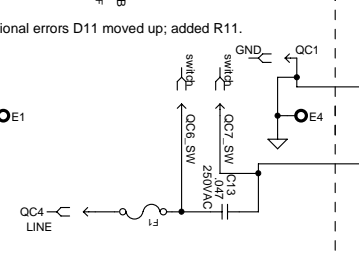
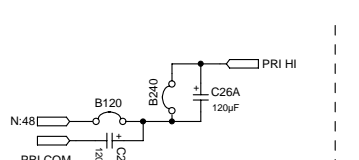
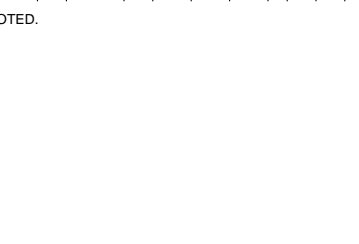
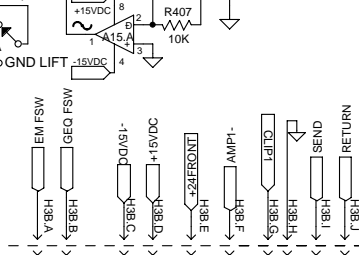
CARVIN 12340 World Trade Drive
San Diego, CA 92128
(858) 487-1600
FAX 487-6629

Table with assembly and revision information:
DRAWN BY: GEORGE DREYER DATE: 26SEPT05
APPROVED: DATE:
PCB NO: 30-42120 REV: C
ASSY NO: 80-42120 REV: C
REVISED BY: GEORGE DREYER DATE: 14JULY06

Changes from Assembly Rev (A).
Proto corrections: -15V via grounded, R257 grounded, Locational errors D11 moved up; added R11.



Screw Holes for Power Amp Devices



NOTE: B1 IS CUT, AND B2 INSTALLED FOR 240V.
B2 IS CUT, AND B1 INSTALLED FOR 120V ONLY.