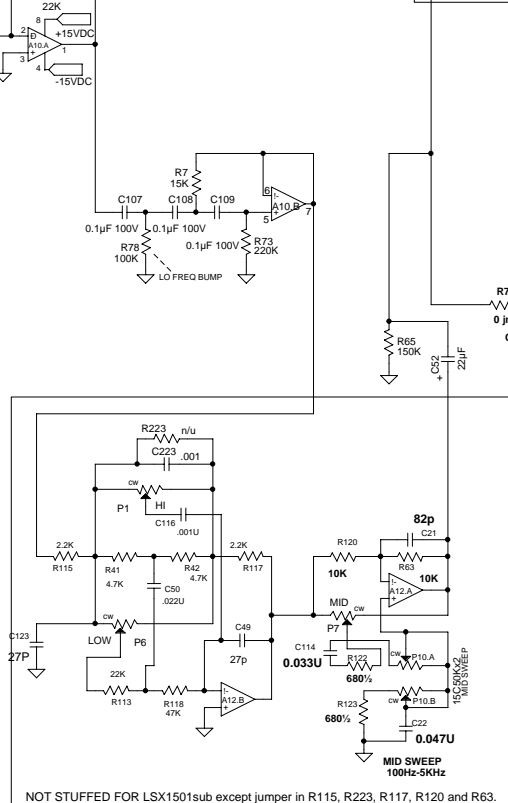


LSX 2-WAY 80-08226 AND 80-08225 (240) CHANGES
ONLY XLR-1/4 CHANNEL INPUT W/ XLR THRU
 NOT STUFFED: LM ONLY SECTIONS
 S11, S5, R67, AND R68.
 PLACE JUMPER (SEE SAMPLE ALSO) IN INDICATED LOCATIONS OF S5.
 R54 and R55 change to 3.9K
 R52 change to 18K
 R153 change to 33K
 C93 is removed
 C90 changes to 0.0022u

LSX1501sub 80-08216 AND 80-08215 (240) CHANGES
ONLY XLR CHANNEL INPUT W/ XLR THRU
 NOT STUFFED: LM ONLY SECTIONS
 Not stuffed: S11, S5, R67, AND R68.
 PLACE JUMPER (SEE SAMPLE ALSO) IN INDICATED LOCATIONS OF S5.
 R79 change to 47K
 R152 change to 150K
 R153 change to 33K
 C93 change to 0.0068u
 C90 changes to 0.0068u
 no bump 30Hz low cut and 180Hz low pass



CHANGES FROM REV :
 1. CHANGE

CARVIN
 12340 World Trade Drive
 San Diego, CA 92128
 (858) 487-1600
 FAX 487-6629

powered speaker module
BiAmp XFMR

DRAWN BY: ERIC PETERSEN DATE: 02NOV2006
 APPROVED: DATE:
 PCB NO: 30-08210 REV: B
 ASSY. NO: 80-08210 REV: B
 REVISED BY: ERIC PETERSEN DATE: 05JAN2007

- ADDED AS SECONDARY OPERATION.
 - ALL DIODES ARE TYPE 1N914, EXCEPT AS NOTED.
 - ALL CAPACITORS IN MICORFARADS, EXCEPT AS NOTED.
 - ALL RESISTORS IN OHMS
- NOTES: UNLESS OTHERWISE SPECIFIED.

