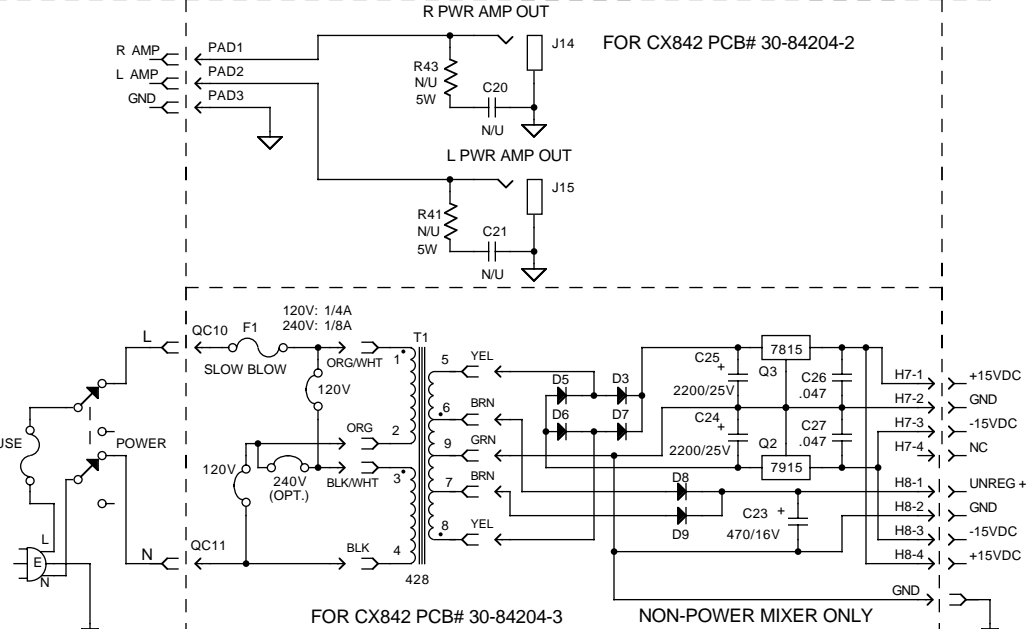
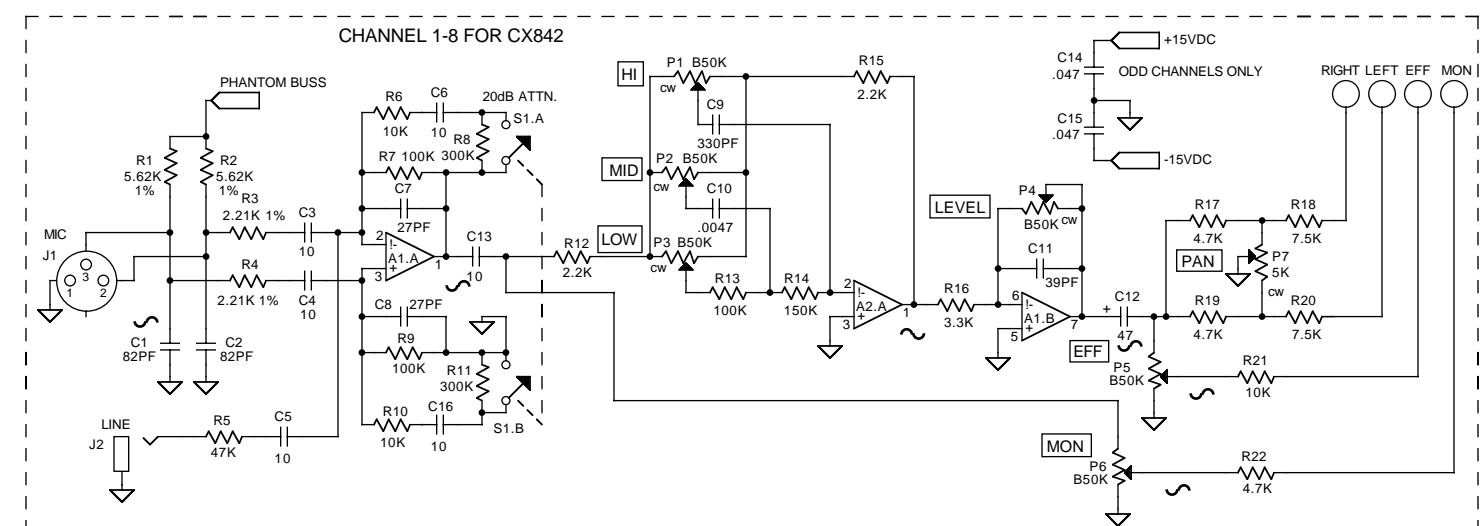


Part values for replacing DSP module with Reverb Tank

C17	.47mF	R26	10K
C36	0.1mF	R44	Not Used
C50	330pF	R59	10K
R23	330Ω	R60	47K
R24	10K		

- 6. A2-A7, A9-A19 OP AMPS ARE TYPE 4558.
 - 5. A1 OP AMPS ARE TYPE 5532
 - 4. ALL RESISTORS IN OHMS
 - 3. ALL CAPACITORS IN MICROFARADS, EXCEPT AS NOTED
 - 2. ALL RESISTORS IN OHMS.
 - 1. ALL GROUNDS ARE ⓐ EXCEPT AS NOTED.
- NOTES: UNLESS OTHERWISE SPECIFIED



12340 WORLD TRADE DR.
SAN DIEGO, CA 92128
(619) 487-1600
FAX 487-6629

CARVIN

CX842 MIXER SYSTEM MASTER

NON-POWERED & POWERED VERSIONS

DRAWN BY: C. McEUEN	DATE: 1DEC94
APPROVED:	DATE:
PCB NO: 30-84204	REV: -
ASSY. NO: 80-84204 80-84204P	REV: E E
REVISED BY: C. McEUEN	DATE: 5NOV96 5NOV96