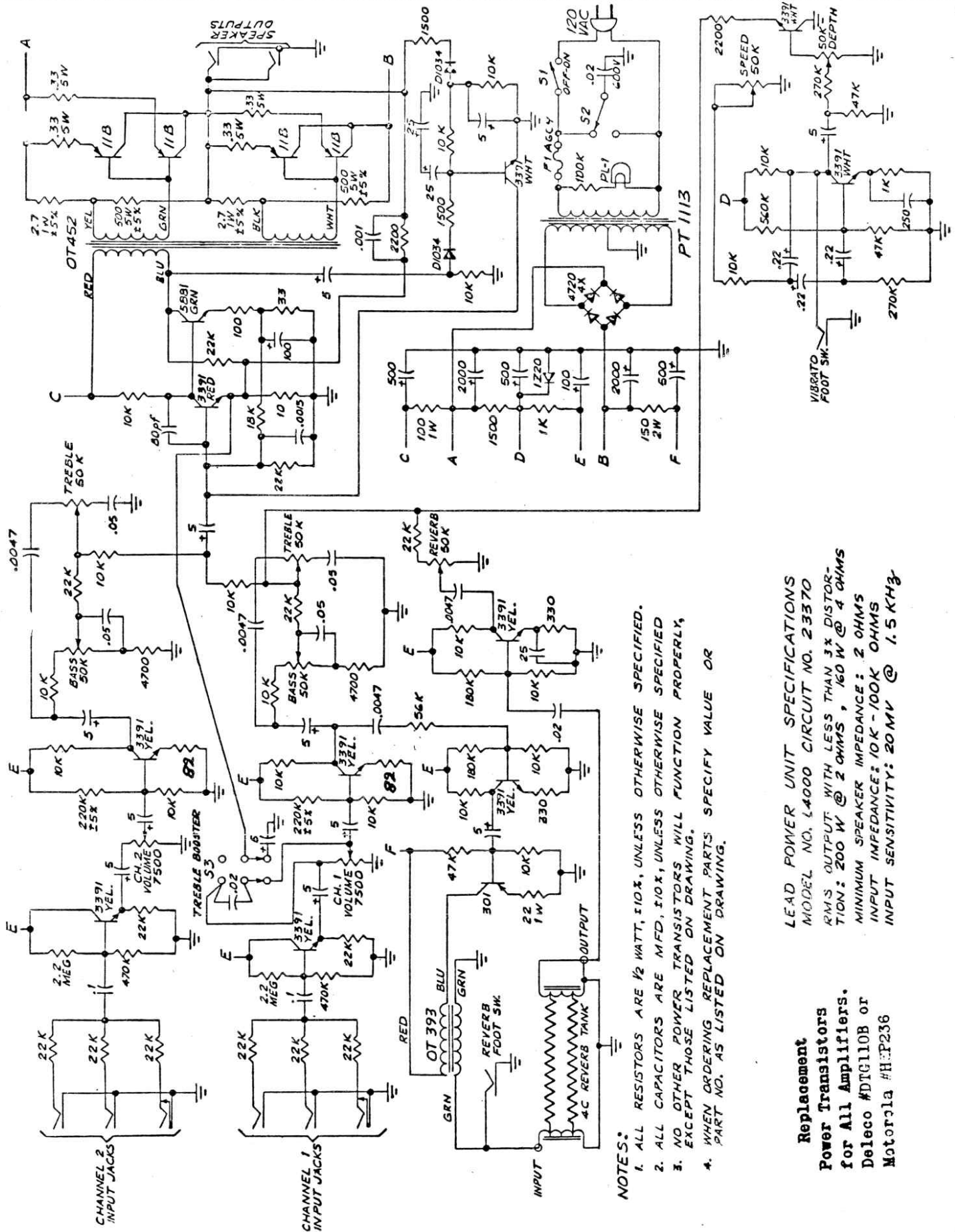


NOTES:

1. ALL RESISTORS ARE 1/2 WATT, 10%, UNLESS OTHERWISE SPECIFIED.
2. ALL CAPACITORS ARE MFD, 10%, UNLESS OTHERWISE SPECIFIED.
3. NO OTHER POWER TRANSISTORS WILL FUNCTION PROPERLY, EXCEPT THOSE LISTED ON DRAWING.
4. WHEN ORDERING REPLACEMENT PARTS SPECIFY VALUE OR PART NO. AS LISTED ON DRAWING.

**Replacement
Power Transistors
for All Amplifiers.**
Deleco #DTG110B or
Motorola #HEP236

LEAD POWER UNIT SPECIFICATIONS
MODEL NO. L2000 CIRCUIT NO. 22670
RMS OUTPUT WITH LESS THAN 3% DISTOR-
TION: 150W @ 20KHZ, 10W @ 4 OHMS
MINIMUM SPEAKER IMPEDANCE: 2 OHMS
INPUT IMPEDANCE: 20K-100K OHMS
INPUT SENSITIVITY: 25MV @ 1.5KHZ



- NOTES:**
1. ALL RESISTORS ARE 1/2 WATT, 10%, UNLESS OTHERWISE SPECIFIED.
 2. ALL CAPACITORS ARE MFD, 10%, UNLESS OTHERWISE SPECIFIED.
 3. NO OTHER POWER TRANSISTORS WILL FUNCTION PROPERLY, EXCEPT THOSE LISTED ON DRAWING.
 4. WHEN ORDERING REPLACEMENT PARTS SPECIFY VALUE OR PART NO. AS LISTED ON DRAWING.

Replacement
Power Transistors
 for All Amplifiers.
 Deleco #DTG110B or
 Motorola #H:P236

LEAD POWER UNIT SPECIFICATIONS
 MODEL NO. L4000 CIRCUIT NO. 23370
 RMS OUTPUT WITH LESS THAN 3% DISTORTION: 200 W @ 2 OHMS, 160 W @ 4 OHMS
 MINIMUM SPEAKER IMPEDANCE: 2 OHMS
 INPUT IMPEDANCE: 10K - 100K OHMS
 INPUT SENSITIVITY: 20MV @ 1.5 KHZ