

MAIN BUSS PINOUT:

3 - SUB 1	13 - R BUSS
4 - SUB 2	14 - EFF 2
5 - SUB 3	15 - EFF 1
6 - SUB 4	16 - CUE 2
7 - SUB 5	17 - CUE 1
8 - SUB 6	18 - SOLO CONT.
9 - SUB 7	19 - V+
10 - SUB 8	20 - GND
11 - L BUSS	21 - V+
12 - SOLO BUSS	22 - +48 (SWITCHED)

NOTE:
A1 IS 4558 TYPE. ALL OTHER OPAMPS ARE
5532 TYPES

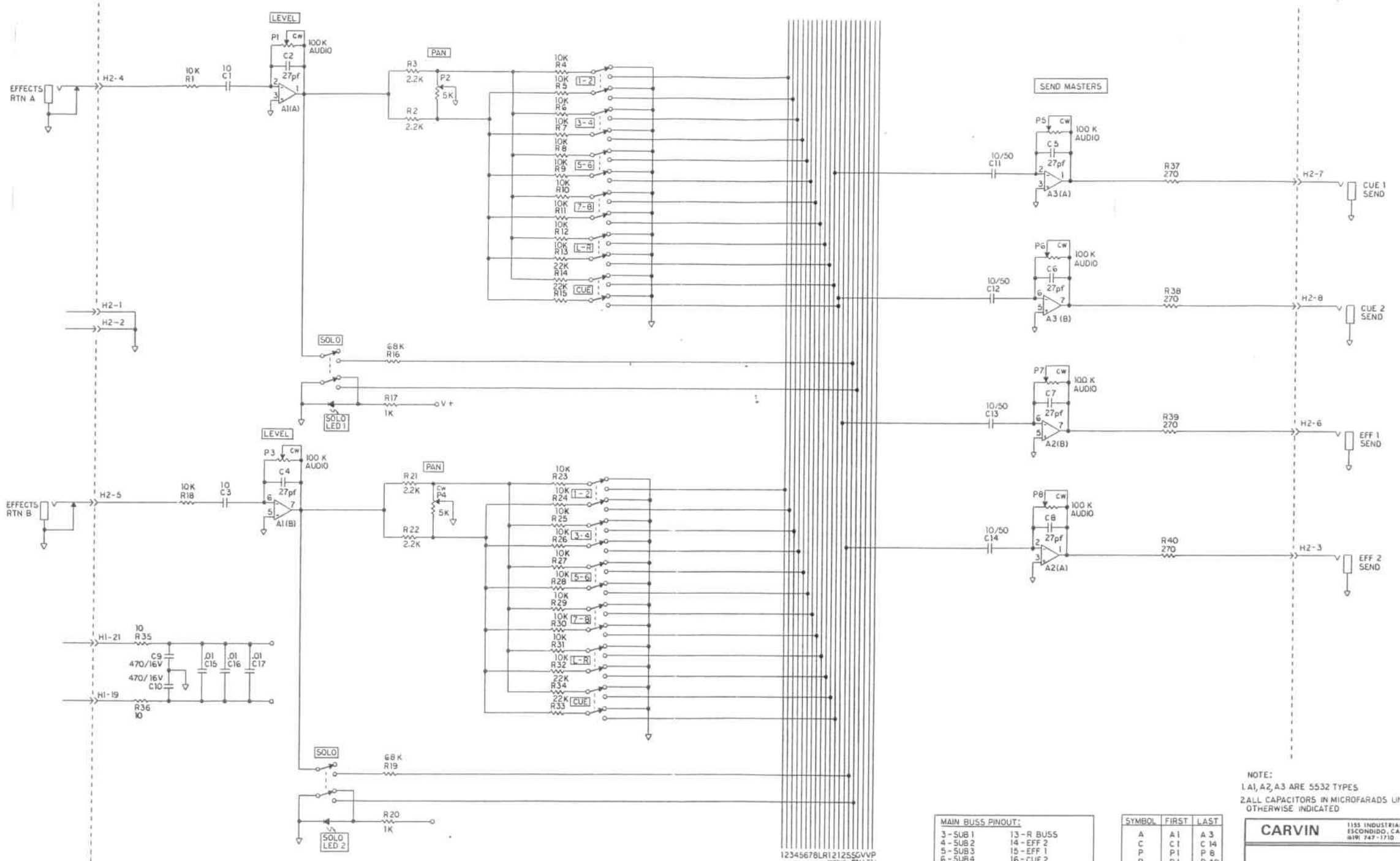
SYMBOL	FIRST	LAST
A	A1	A7
C	C1	C31
D	D1	D9
P	P1	P9
Q	Q1	Q2
R	R1	R78

ALL CAPACITORS IN
MICROFARADS UNLESS
OTHERWISE INDICATED

CARVIN 1155 INDUSTRIAL AVENUE
ESCONDIDO, CA 92025
619 747-1710

MX 1688 INPUT CHANNEL
PCB:
30-MX88-1

DRAWN: *John L. Hagg* DATE: 2 MAR 84
APPROVED: *John L. Hagg* DATE: 26 MAR 84
DRAWING NUMBER: 2026 REV: DATE: 9 APR 85



MAIN BUSS PINOUT:

3 - SUB 1	13 - R BUSS
4 - SUB 2	14 - EFF 2
5 - SUB 3	15 - EFF 1
6 - SUB 4	16 - CUE 2
7 - SUB 5	17 - CUE 1
8 - SUB 6	18 - SOLO CONT.
9 - SUB 7	19 - V+
10 - SUB 8	20 - GND
11 - L BUSS	21 - V+
12 - SOLO BUSS	22 - +4B (SWITCHED)

SYMBOL	FIRST	LAST
A	A1	A3
C	C1	C14
P	P1	P8
R	R1	R40

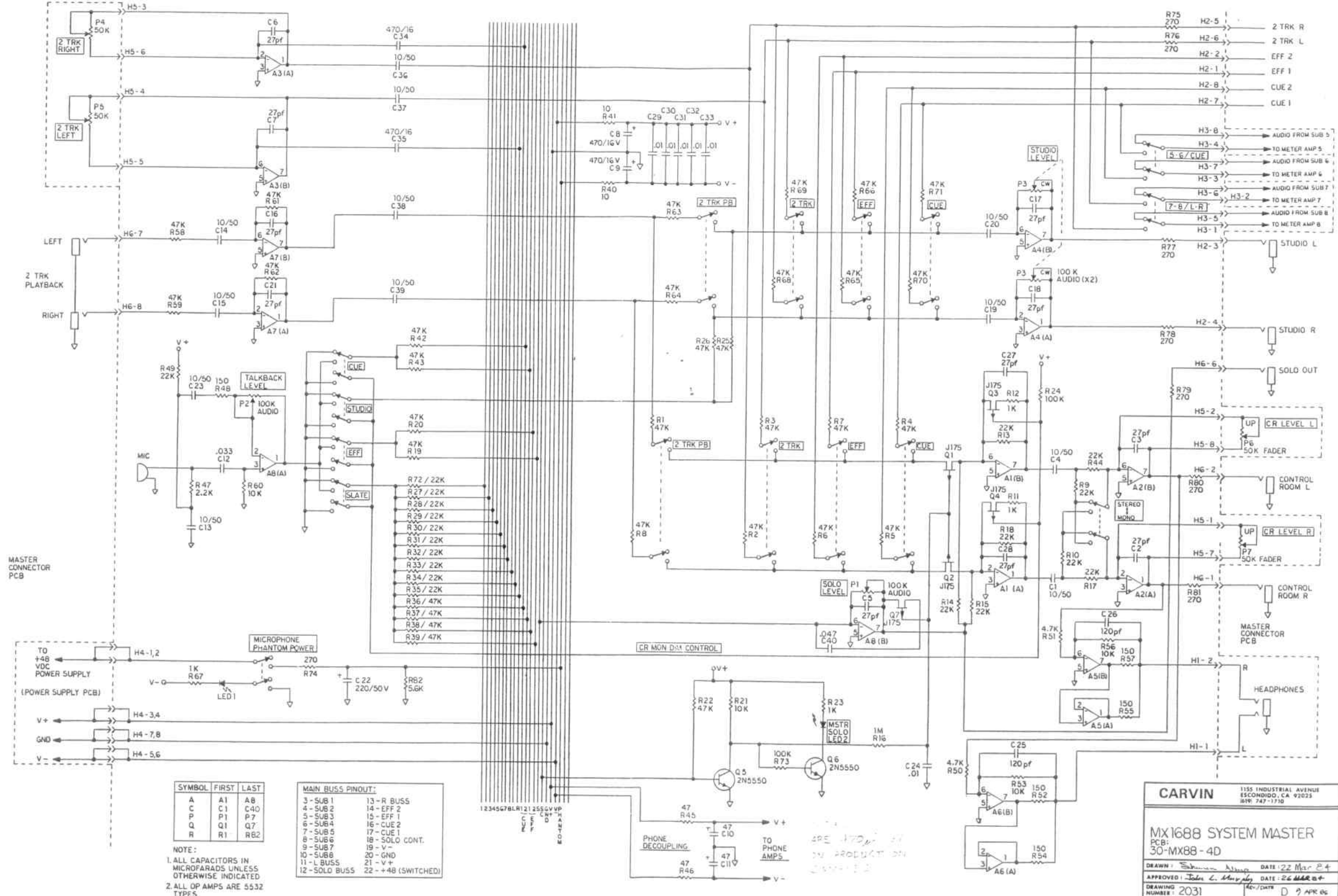
NOTE:
 1. A1, A2, A3 ARE 5532 TYPES
 2. ALL CAPACITORS IN MICROFARADS UNLESS OTHERWISE INDICATED

1185 INDUSTRIAL AVENUE
 ESCONDIHO, CA 95023
 (819) 747-1710

CARVIN

MX1688 EFFECTS MASTER
 PCB:
 30-MX88-3

DRAWN: *S. Alsup* DATE: 10/16/87
 APPROVED: *John L. Murphy* DATE: *ECM/DB*
 DRAWING NUMBER: 2030 REV: 04/18/87 D 9 APR 85



SYMBOL	FIRST	LAST
A	A1	A8
C	C1	C40
P	P1	P7
Q	Q1	Q7
R	R1	R82

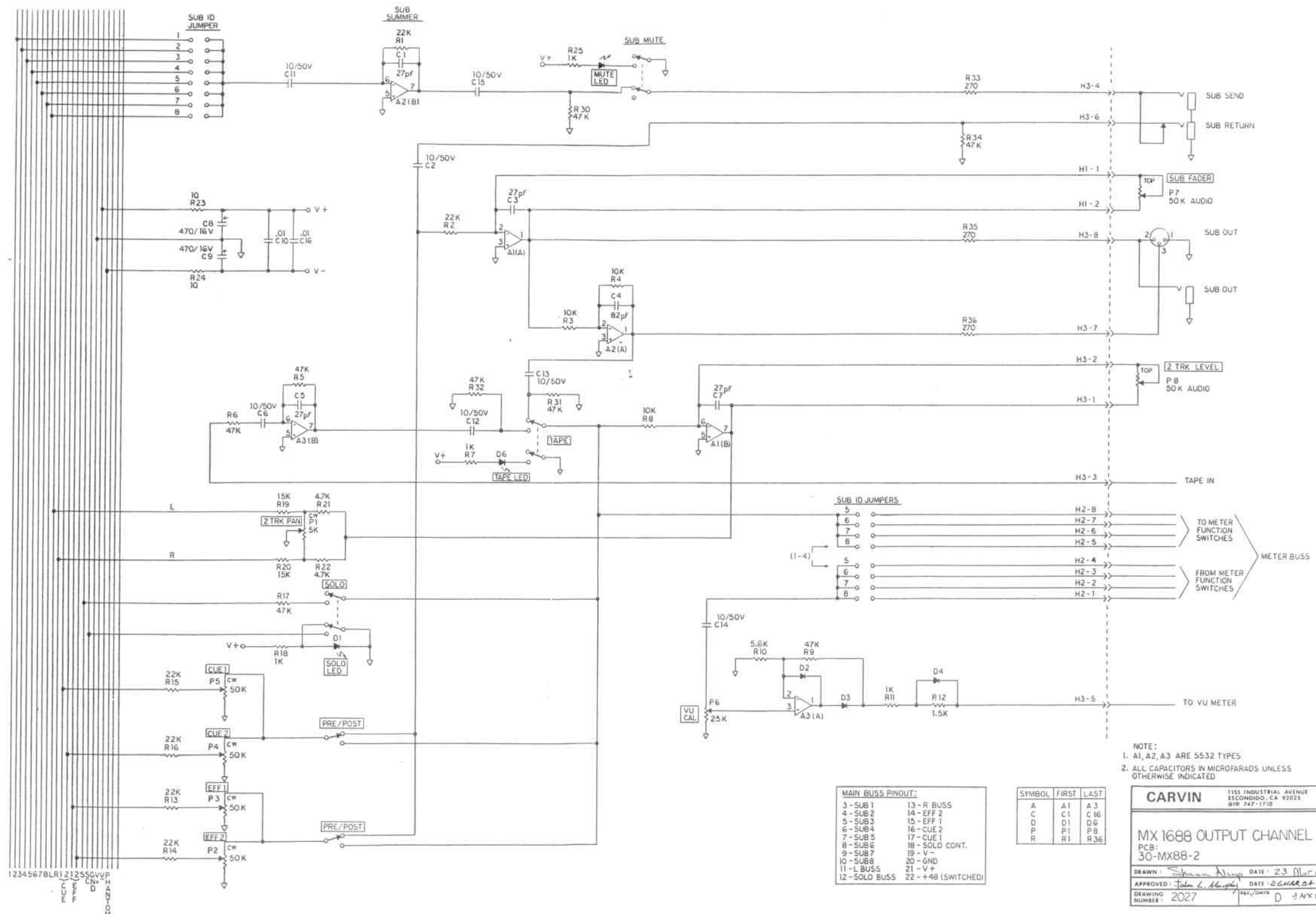
MAIN BUSS PINOUT:	
3 - SUB 1	13 - R BUSS
4 - SUB 2	14 - EFF 2
5 - SUB 3	15 - EFF 1
6 - SUB 4	16 - CUE 2
7 - SUB 5	17 - CUE 1
8 - SUB 6	18 - SOLO CONT.
9 - SUB 7	19 - V -
10 - SUB 8	20 - GND
11 - L BUSS	21 - V +
12 - SOLO BUSS	22 - +8 (SWITCHED)

NOTE:
 1. ALL CAPACITORS IN MICROFARADS UNLESS OTHERWISE INDICATED.
 2. ALL OP AMPS ARE 5532 TYPES

CARVIN 1155 INDUSTRIAL AVENUE
 ESCONDIDO, CA 92025
 (619) 747-1710

MX1688 SYSTEM MASTER
 PCB
 30-MX88-4D

DRAWN: *Shannon* DATE: 22 Mar 84
 APPROVED: *John C. Murphy* DATE: 26 Mar 84
 DRAWING NUMBER: 2031 REV: DATE: D 9 APR 85



- NOTE:
 1. A1, A2, A3 ARE 5532 TYPES
 2. ALL CAPACITORS IN MICROFARADS UNLESS OTHERWISE INDICATED

MAIN BUSS PINOUT:

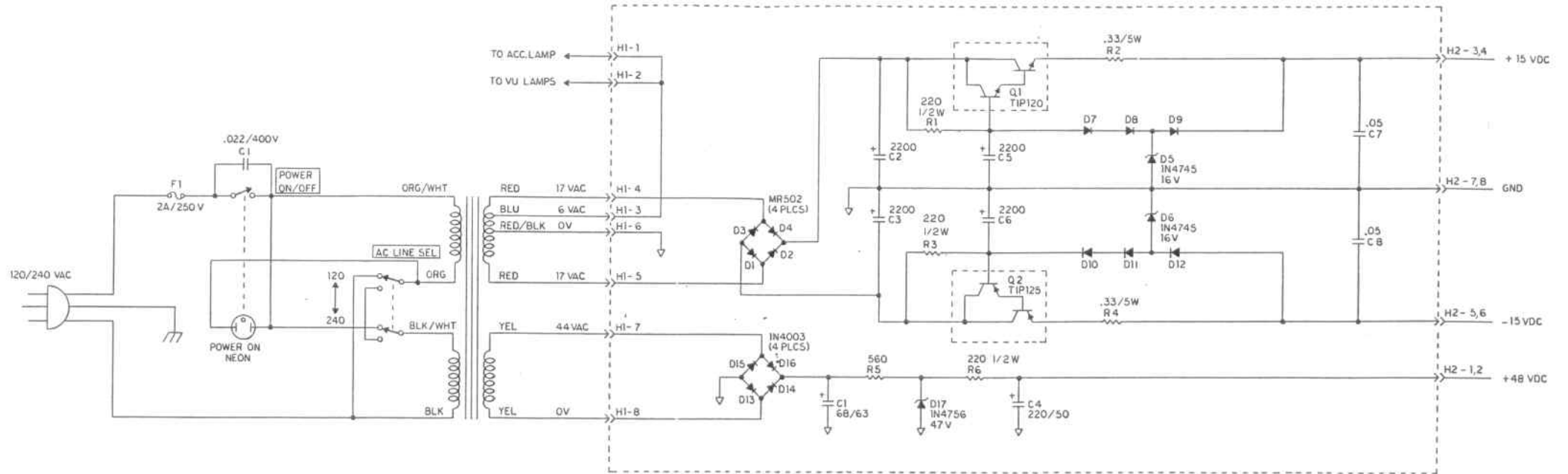
3 - SUB 1	13 - R BUSS
4 - SUB 2	14 - EFF 2
5 - SUB 3	15 - EFF 1
6 - SUB 4	16 - CUE 2
7 - SUB 5	17 - CUE 1
8 - SUB 6	18 - SOLO CONT.
9 - SUB 7	19 - V -
10 - SUB 8	20 - GND
11 - L BUSS	21 - V +
12 - SOLO BUSS	22 - +48 (SWITCHED)

SYMBOL	FIRST	LAST
A	A1	A3
C	C1	C16
D	D1	D6
P	P1	P8
R	R1	R36

CARVIN 1155 INDUSTRIAL AVENUE
 ESCONDIDO, CA 92025
 819-247-1710

MX 1688 OUTPUT CHANNEL
 PCB:
 30-MX88-2

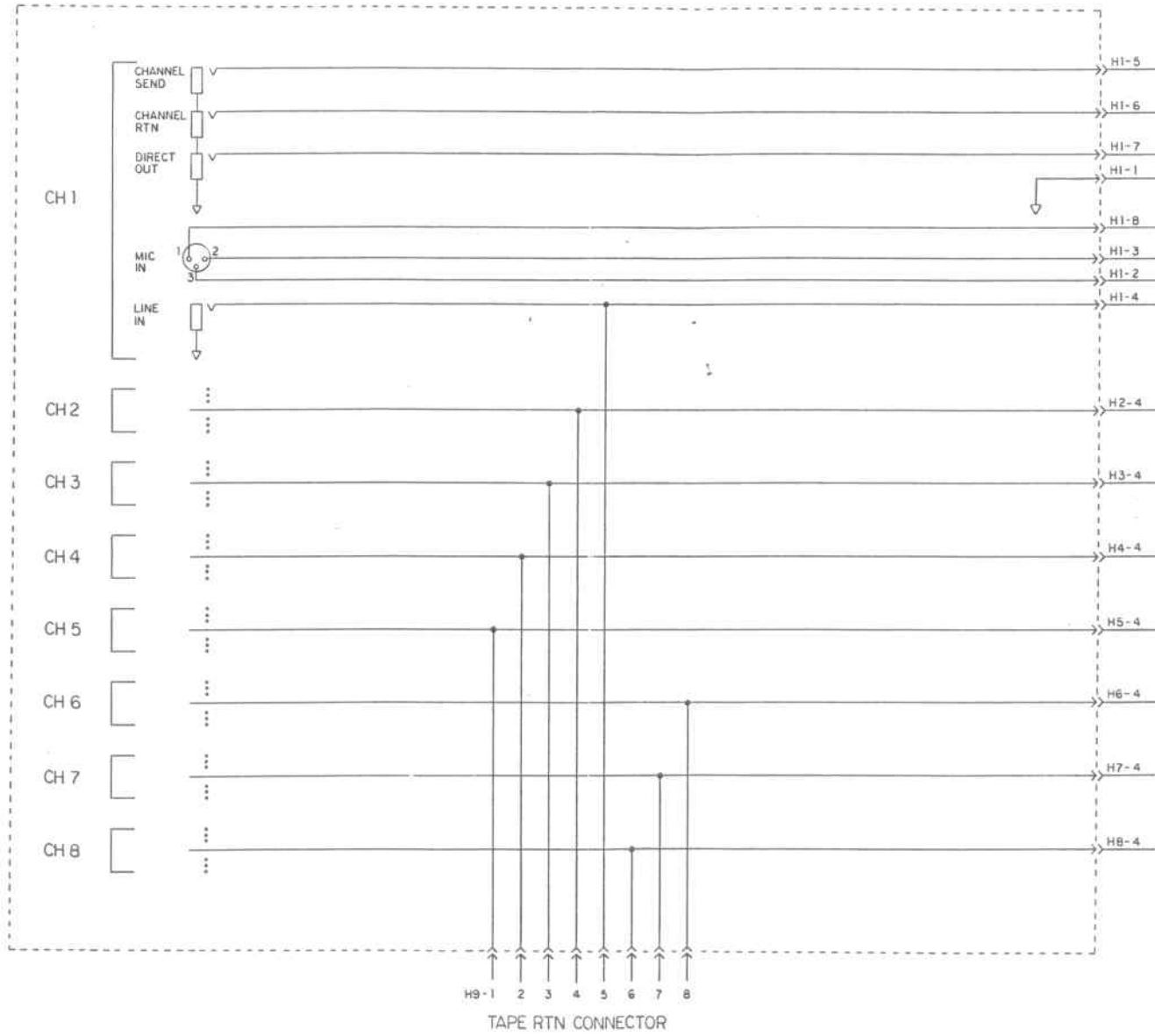
DRAWN: *Shawn Anup* DATE: 23 Mar 84
 APPROVED: *John L. Murphy* DATE: 26 Mar 84
 DRAWING NUMBER: 2027 REV./DATE: D J AX 84



NOTE: UNLESS OTHERWISE INDICATED
 1. ALL CAPACITORS IN MICROFARADS
 2. DIODES 7, 8, 9, 10, 11, 12 ARE IN4003
 3. ALL RESISTORS ARE 1/4W

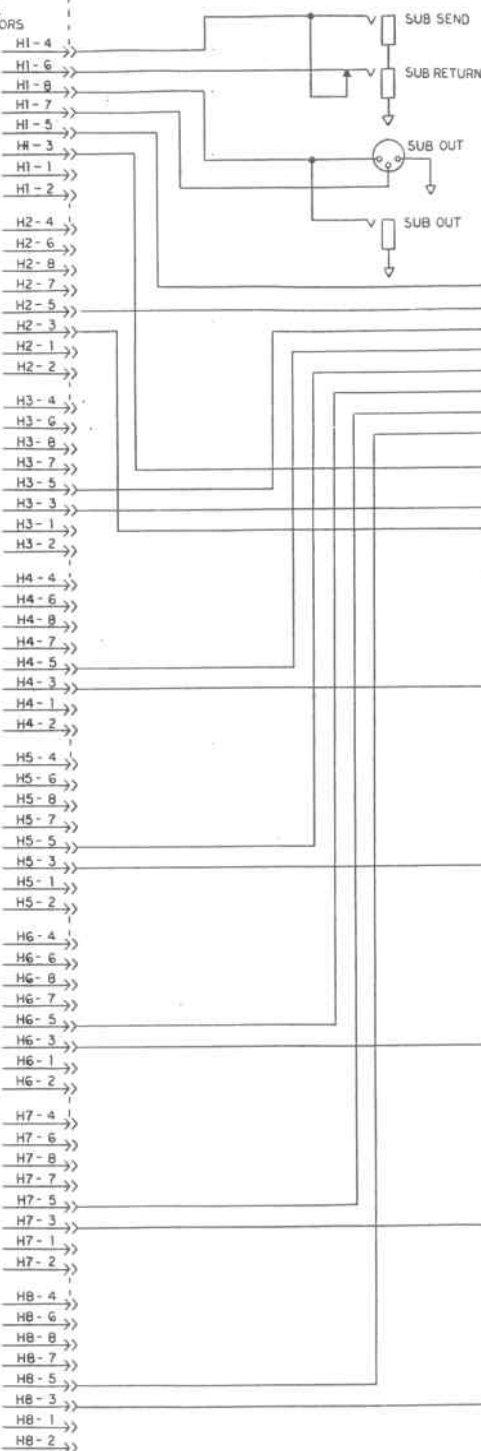
CARVIN		3155 INDUSTRIAL AVENUE ESCONDIDO, CA 92025 (619) 747-1710
DC POWER SUPPLY MODULE 30-MXPS-8A		
DRAWN: <i>Sharon Kemp</i>	DATE: 8 MAR 84	
APPROVED: <i>John L. Murphy</i>	DATE: 16 MAR 84	
DRAWING NUMBER: 2035C		2 NOV 84

NOTE
 1 CHANNELS 2-8 ARE
 TYPICAL OF CH 1



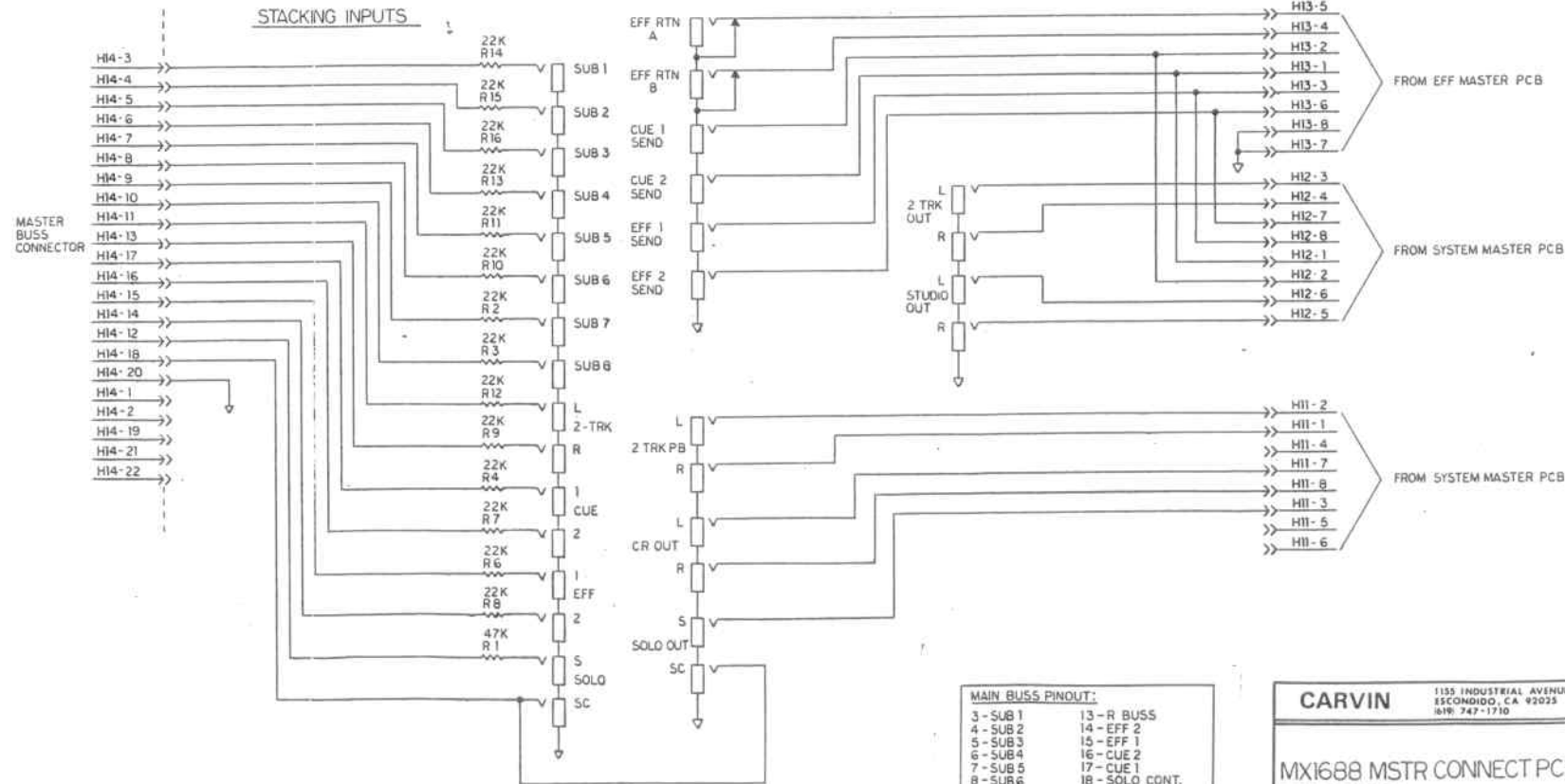
CARVIN		1155 INDUSTRIAL AVENUE ESCONDIDO, CA 92025 (619) 747-1710	
MX1644/88 INPUT CONNECTOR PCB P-4488-6			
DRAWN:	<i>Shannon Bishop</i>	DATE:	17 MAR 84
APPROVED:	<i>John L. Murphy</i>	DATE:	16 MAR 84
DRAWING NUMBER:	84-4488-6	SECTION:	B
			JL NOV 84

CHANNEL CONNECTORS



(TYPICAL OF 8 OUTPUTS)

STACKING INPUTS



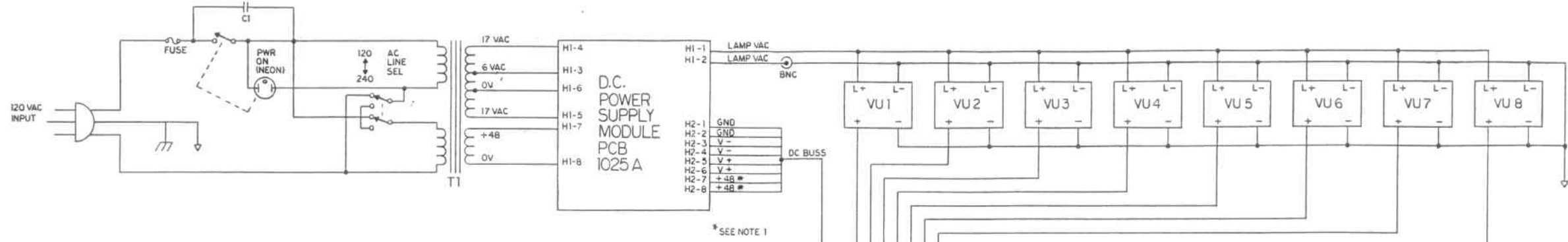
MAIN BUSS PINOUT:

3 - SUB 1	13 - R BUSS
4 - SUB 2	14 - EFF 2
5 - SUB 3	15 - EFF 1
6 - SUB 4	16 - CUE 2
7 - SUB 5	17 - CUE 1
8 - SUB 6	18 - SOLO CONT.
9 - SUB 7	19 - V -
10 - SUB 8	20 - GND
11 - L BUSS	21 - V +
12 - SOLO BUSS	22 - +48 (SWITCHED)

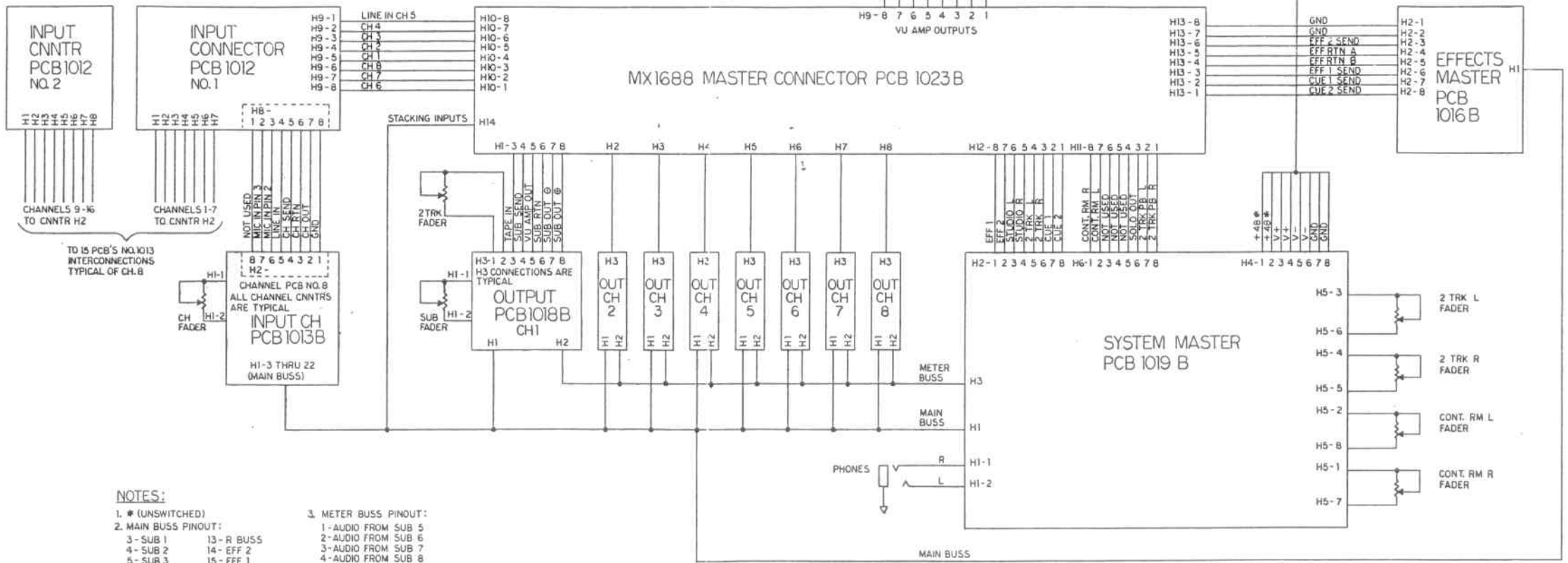
CARVIN 1155 INDUSTRIAL AVENUE
ESCONDIDO, CA 92025
619 747-1710

MX1688 MSTR CONNECT PCB
(PCB 1023C)

DRAWN: *Shawn Hump* DATE: 26 Mar 84
APPROVED: *John C. Murphy* DATE: 26 Mar 84
DRAWING NUMBER: 2029 B REV B: 5 JULY 84



*SEE NOTE 1

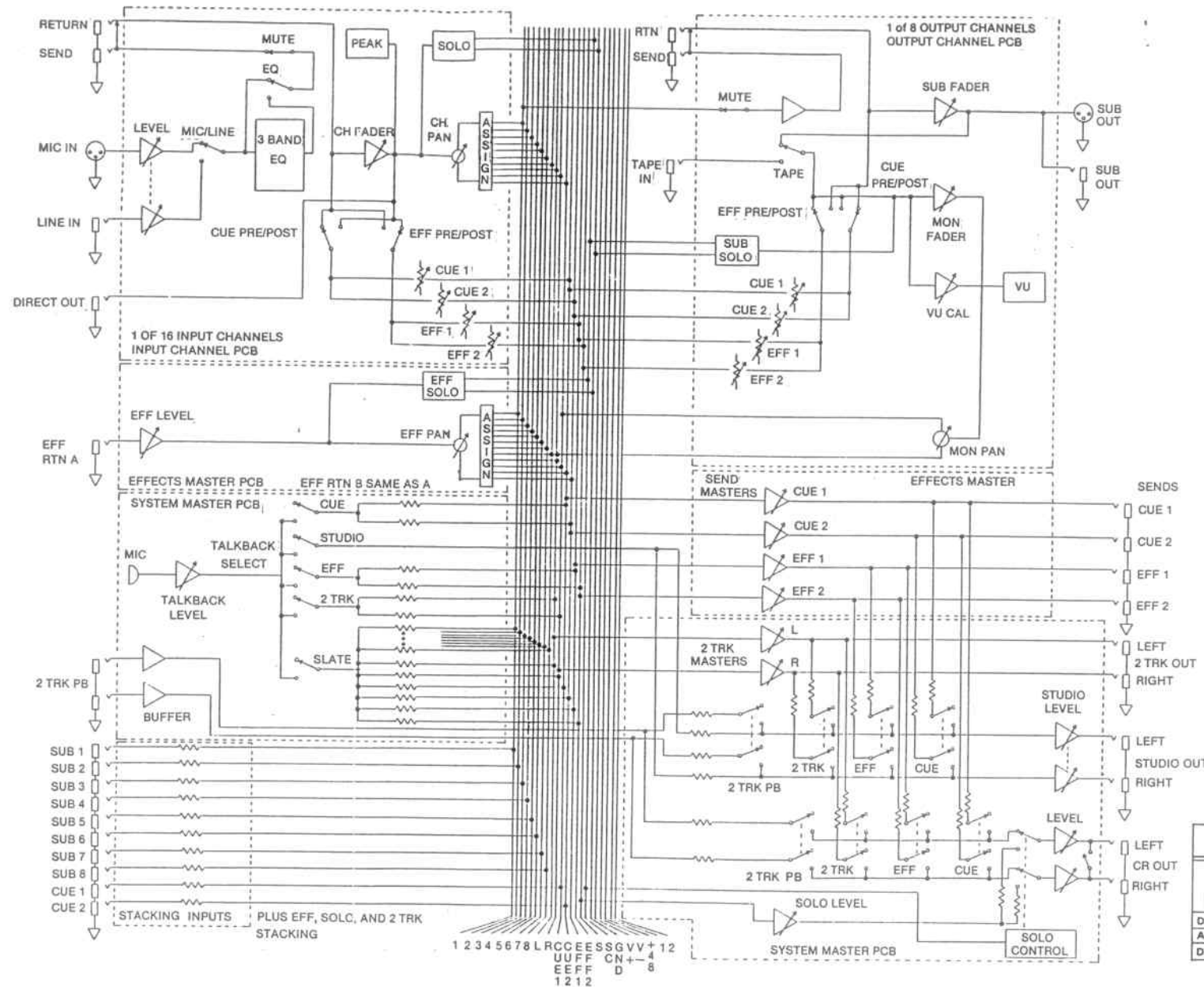


- NOTES:**
- * (UNSWITCHED)
 - MAIN BUSS PINOUT:
 - 3 - SUB 1
 - 4 - SUB 2
 - 5 - SUB 3
 - 6 - SUB 4
 - 7 - SUB 5
 - 8 - SUB 6
 - 9 - SUB 7
 - 10 - SUB 8
 - 11 - L BUSS
 - 12 - SOLO BUSS
 - 13 - R BUSS
 - 14 - EFF 2
 - 15 - EFF 1
 - 16 - CUE 2
 - 17 - CUE 1
 - 18 - SOLO CONT.
 - 19 - V-
 - 20 - GND
 - 21 - V+
 - 22 - +48 (SWITCHED)
 - METER BUSS PINOUT:
 - 1 - AUDIO FROM SUB 5
 - 2 - AUDIO FROM SUB 6
 - 3 - AUDIO FROM SUB 7
 - 4 - AUDIO FROM SUB 8
 - 5 - TO METER AMP 5
 - 6 - TO METER AMP 6
 - 7 - TO METER AMP 7
 - 8 - TO METER AMP 8

CARVIN 1155 INDUSTRIAL AVENUE
ESCONDIDO, CA 92023
(619) 747-1710

**MX1688
SYSTEM INTERCONNECT**

DRAWN: *Sharon Atamp* DATE: 21 Mar 84
APPROVED: *John L. Murphy* DATE: 26 Mar 84
DRAWING NUMBER: 2037 A



CARVIN
 MX1688
 BLOCK DIAGRAM
 DRAWN *S. N. J.* DATE 4/16/84
 APPROVED *J. Murphy* DATE 4/16/84
 DRWG NO 2040