

REV D CHANGES: GRAPHIC EQ PARTS REDUCED / RELOCATED

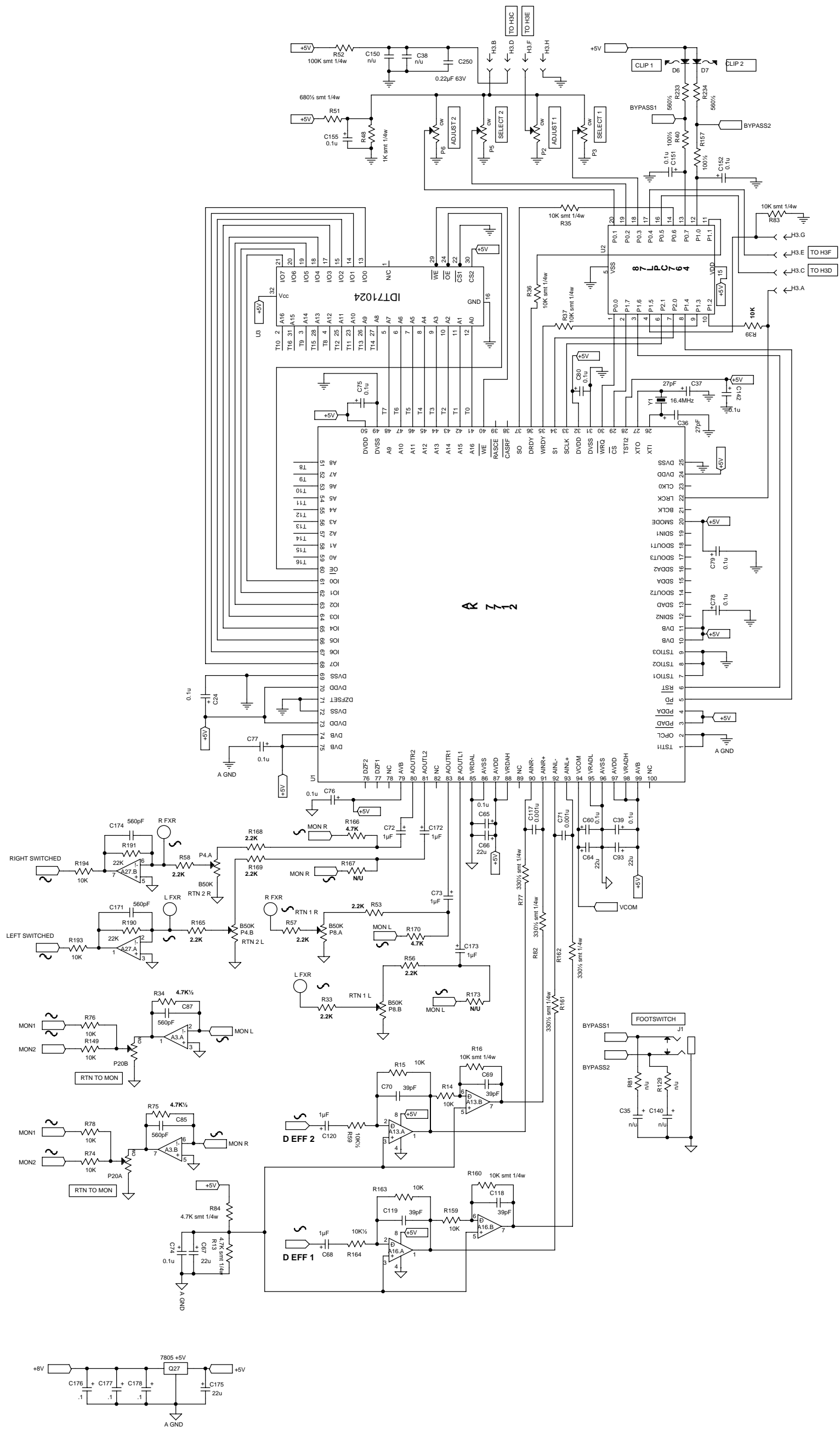
12340 World Trade Drive  
 San Diego, CA 92128  
 (858) 487-1600  
 FAX 521-6032

**CARVIN**

**RX120**  
 SYSTEM MASTER

DRAWN BY:	A. ASHLEY	DATE:	1JUN04
APPROVED:		DATE:	
PCB NO:	30-12040	REV:	D
ASSY. NO:	80-12040	REV:	D
REVISED BY:	E. PETERSEN	DATE:	23AUG05

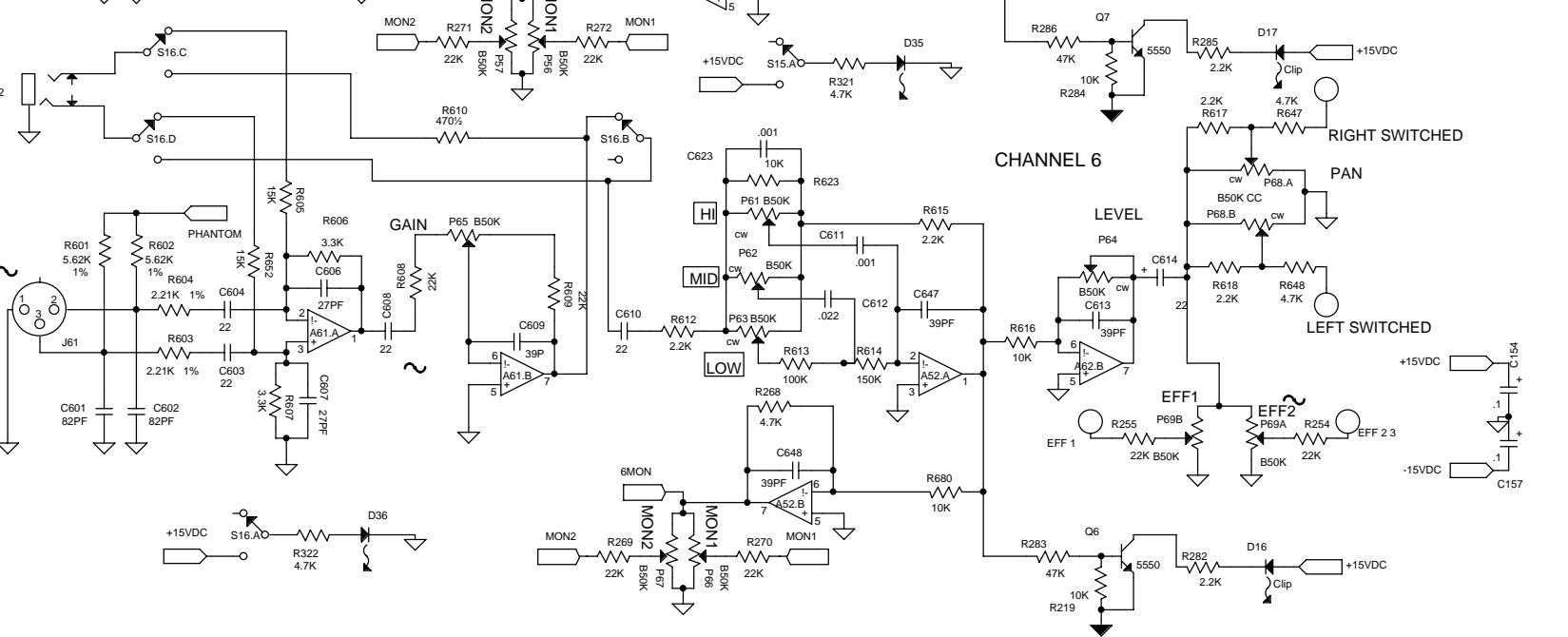
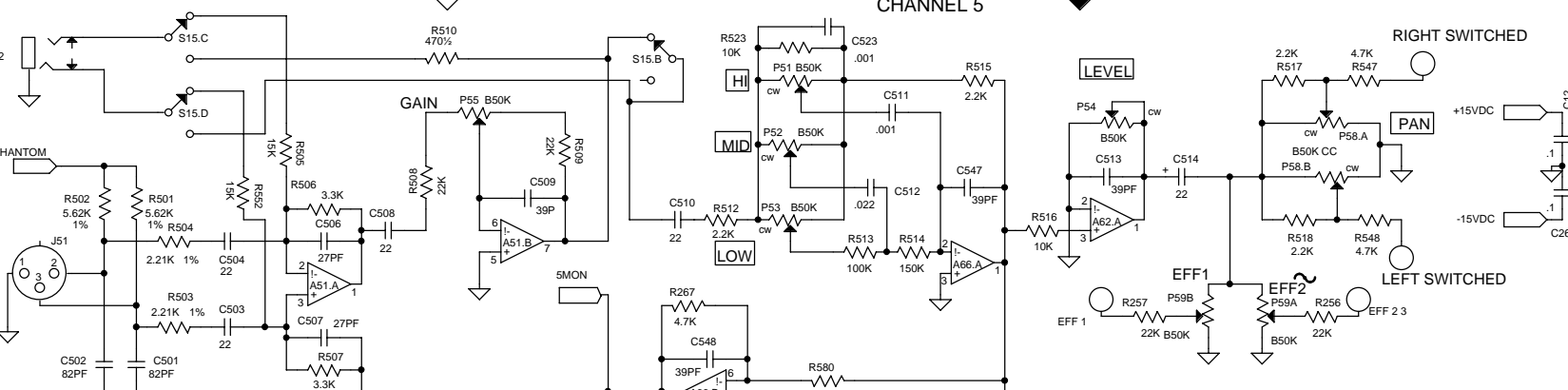
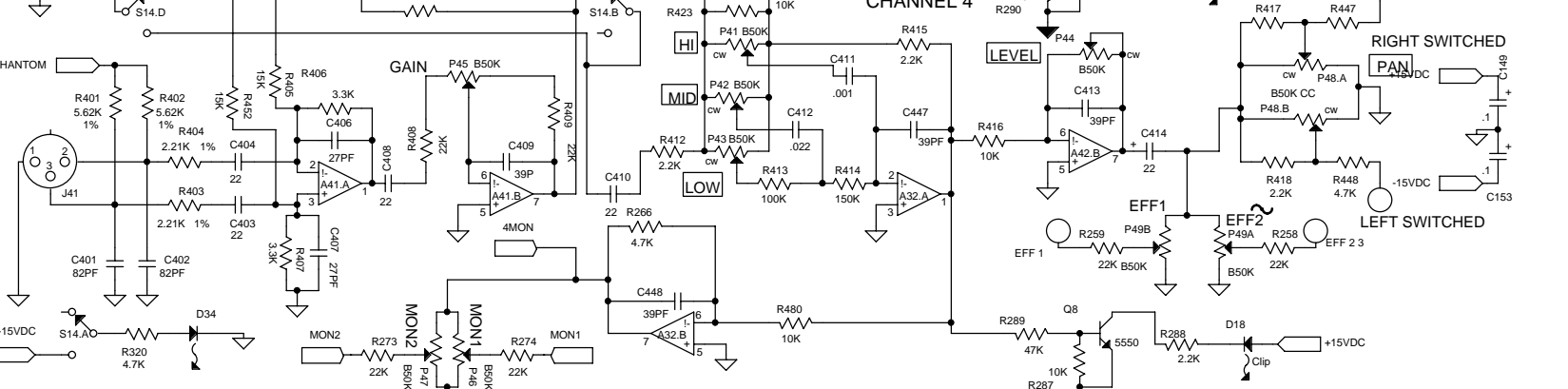
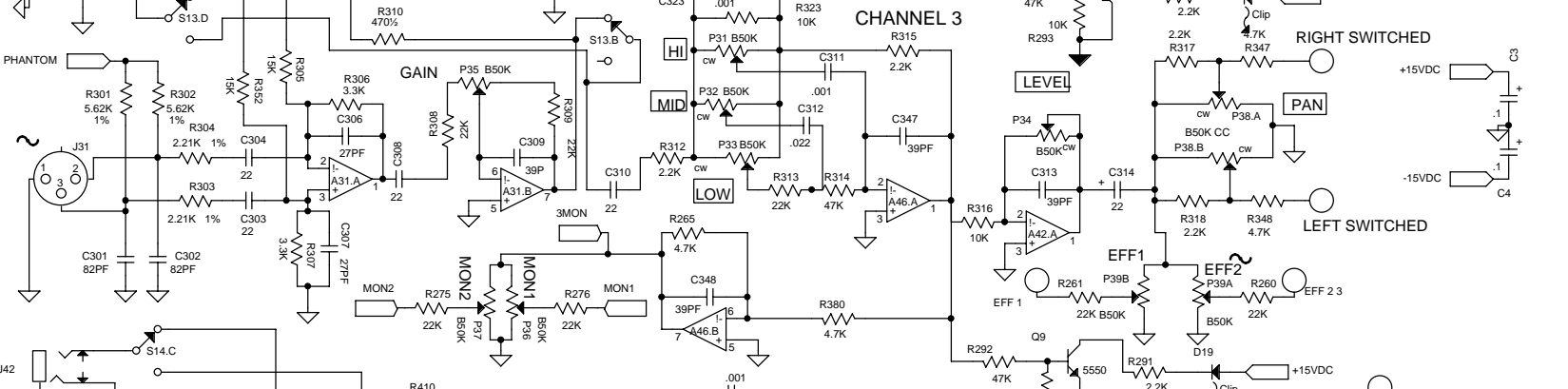
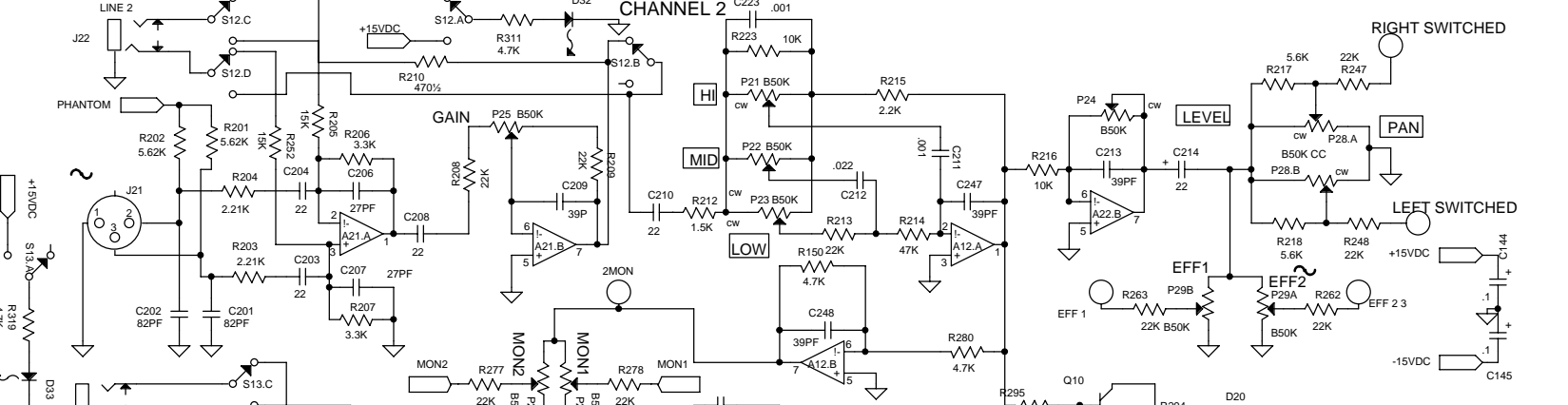
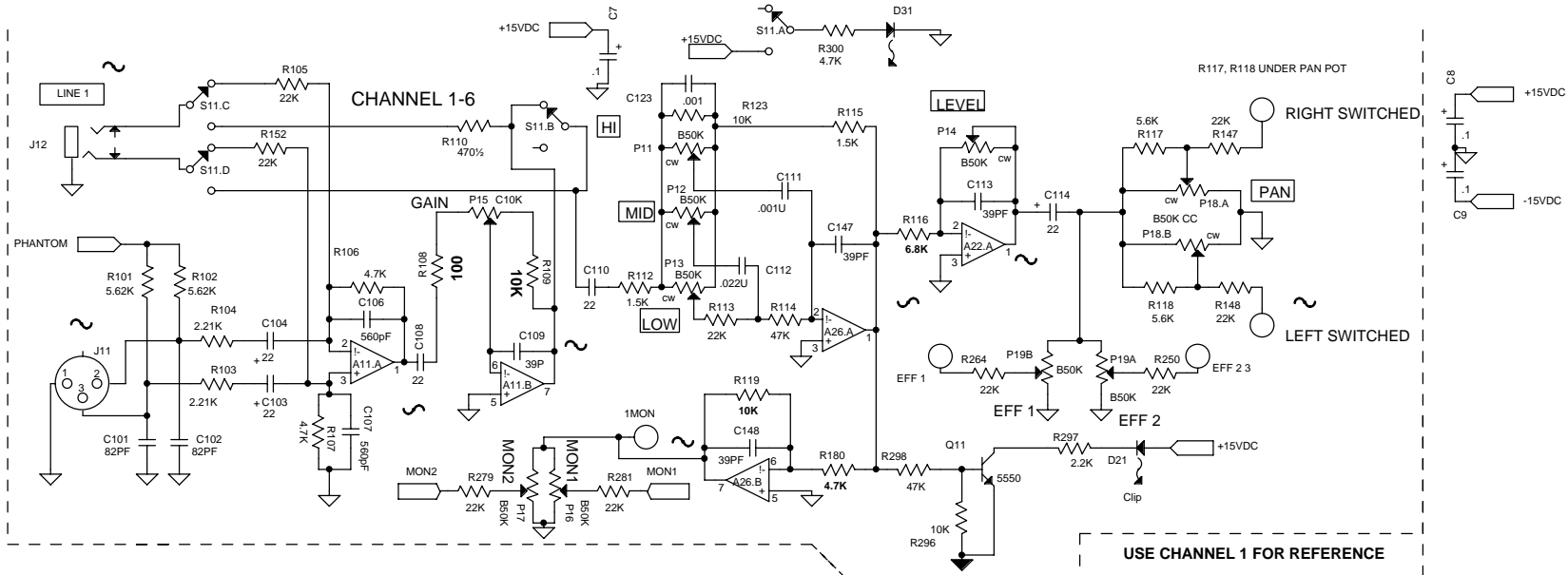
7. THE PCB AND ASSY NUMBER FOR REV A WAS 30-12744 AND 80-12744 .
  6. A12 IS TYPE 4565 OP AMP.
  5. A11 IS TYPE 2043 OP AMP.
  4. ALL RESISTORS IN OHMS.
  3. ALL CAPACITORS IN MICROFARADS, EXCEPT AS NOTED
  2. ALL DIODES ARE TYPE 1N4003 EXCEPT AS NOTED.
  1. ALL GROUNDS ARE Ⓢ EXCEPT AS NOTED.
- NOTES: UNLESS OTHERWISE SPECIFIED**

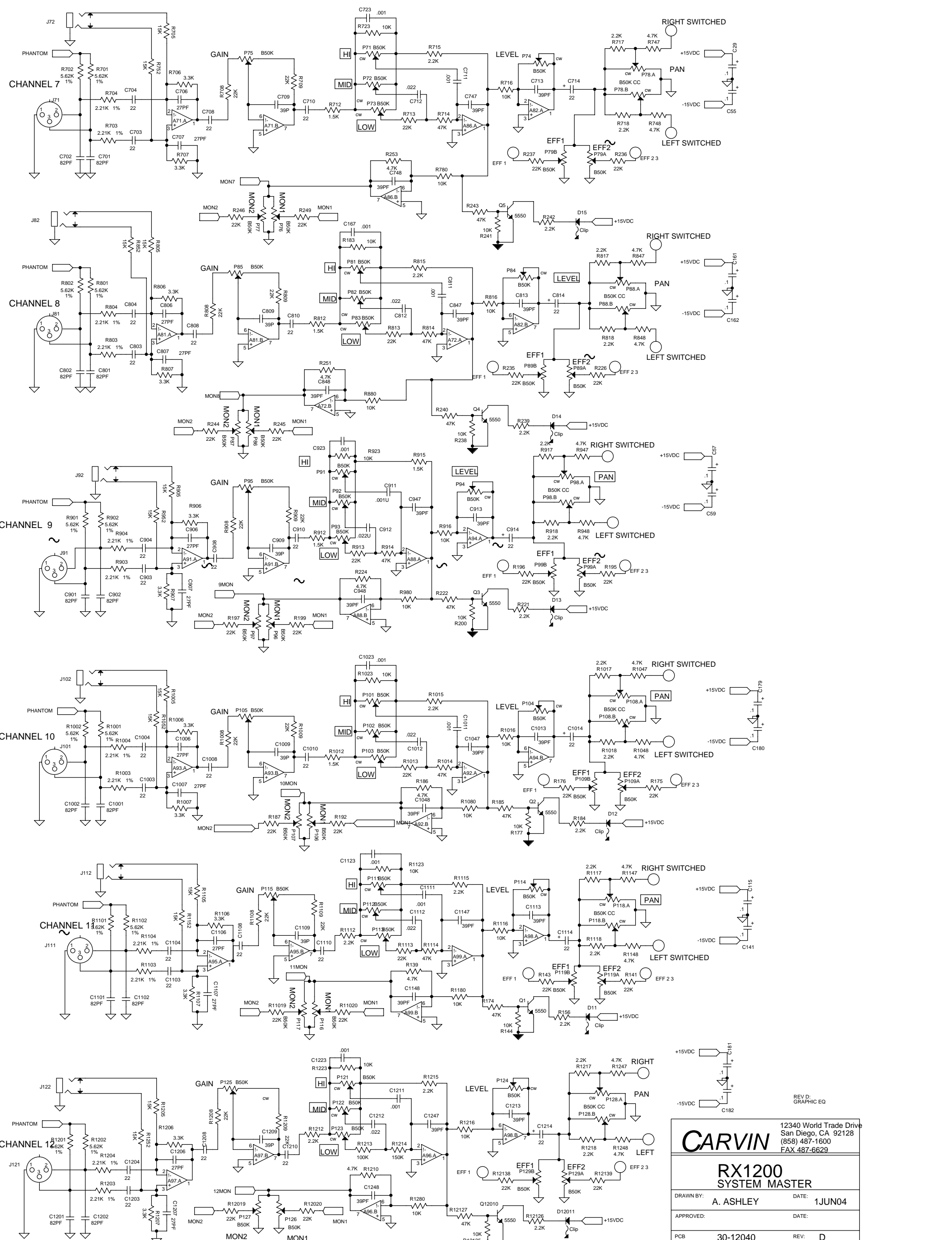


Standoffs

- B1 B2 B3 B4 B8 B9 #466 #207

- #1318
- #689
- #690





REV D:  
GRAPHIC EQ

12340 World Trade Drive  
San Diego, CA 92128  
(858) 487-1600  
FAX 487-6629

**CARVIN**

**RX1200  
SYSTEM MASTER**

DRAWN BY:	A. ASHLEY	DATE:	1JUN04
APPROVED:		DATE:	
PCB NO:	30-12040	REV:	D
ASSY. NO:	80-12040	REV:	D
REVISED BY:	E. PETERSEN	DATE:	21MAR05