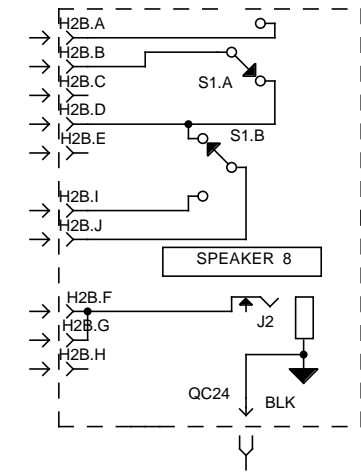


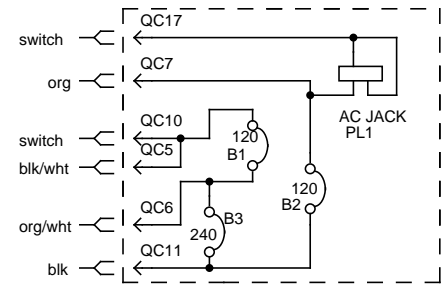
4 MOUNTING SCREW HOLES



- 5. ADDED AS SECONDARY OPERATION.
- 4. ALL OPEN GROUNDS ARE (A), EXCEPT AS NOTED.
- 3. ALL DIODES ARE TYPE 1N4003, EXCEPT AS NOTED.
- 2. ALL CAPACITORS IN MICROFARADS, EXCEPT AS NOTED.
- 1. ALL RESISTORS ARE 1/4W, EXCEPT AS NOTED.

NOTES UNLESS OTHERWISE SPECIFIED.

CARVIN		12340 World Trade Drive San Diego, CA 92128 (858) 487-1600 FAX 521-6032	
VINTAGE 22			
ALL TUBE GUITAR AMP			
DRAWN BY:		DATE:	
C. McEuen		21JUL94	
APPROVED:		DATE:	
PCB NO: 30-77101		REV: B	
ASSY. NO: 80-77101		REV: B	
REVISED BY:		DATE:	
GEORGE DREYER		11FEB02	



Changes from proto B to C