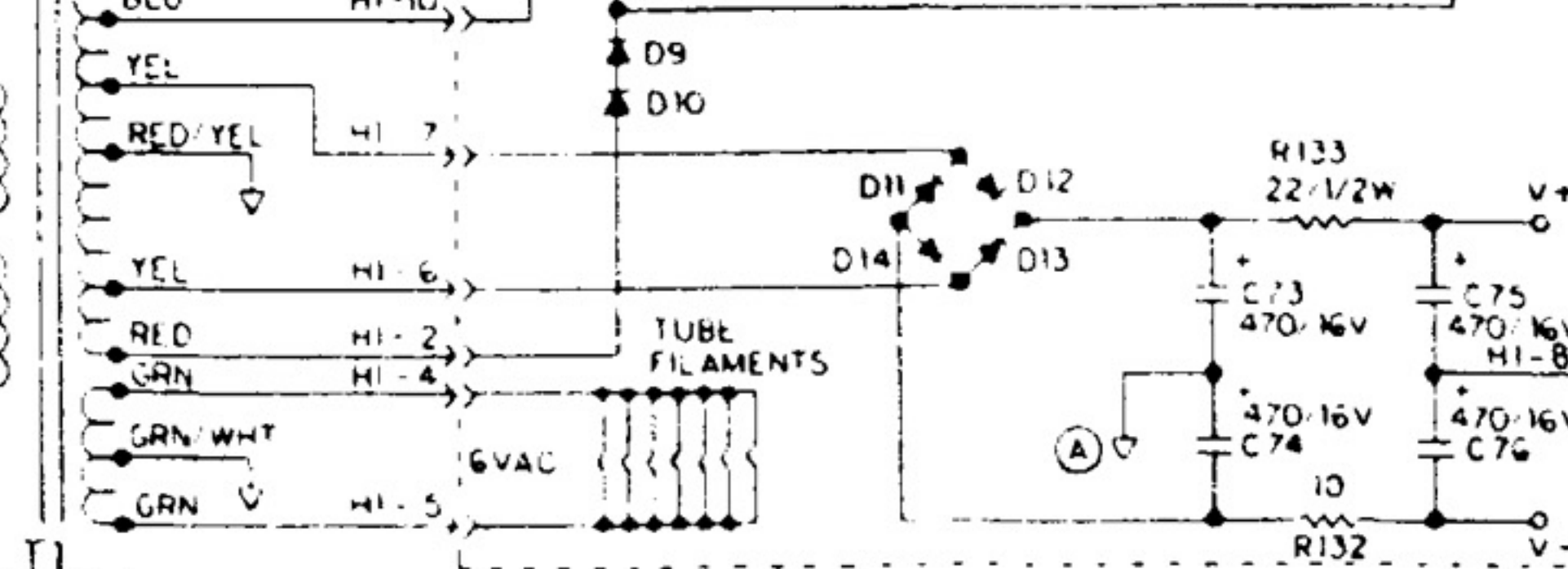
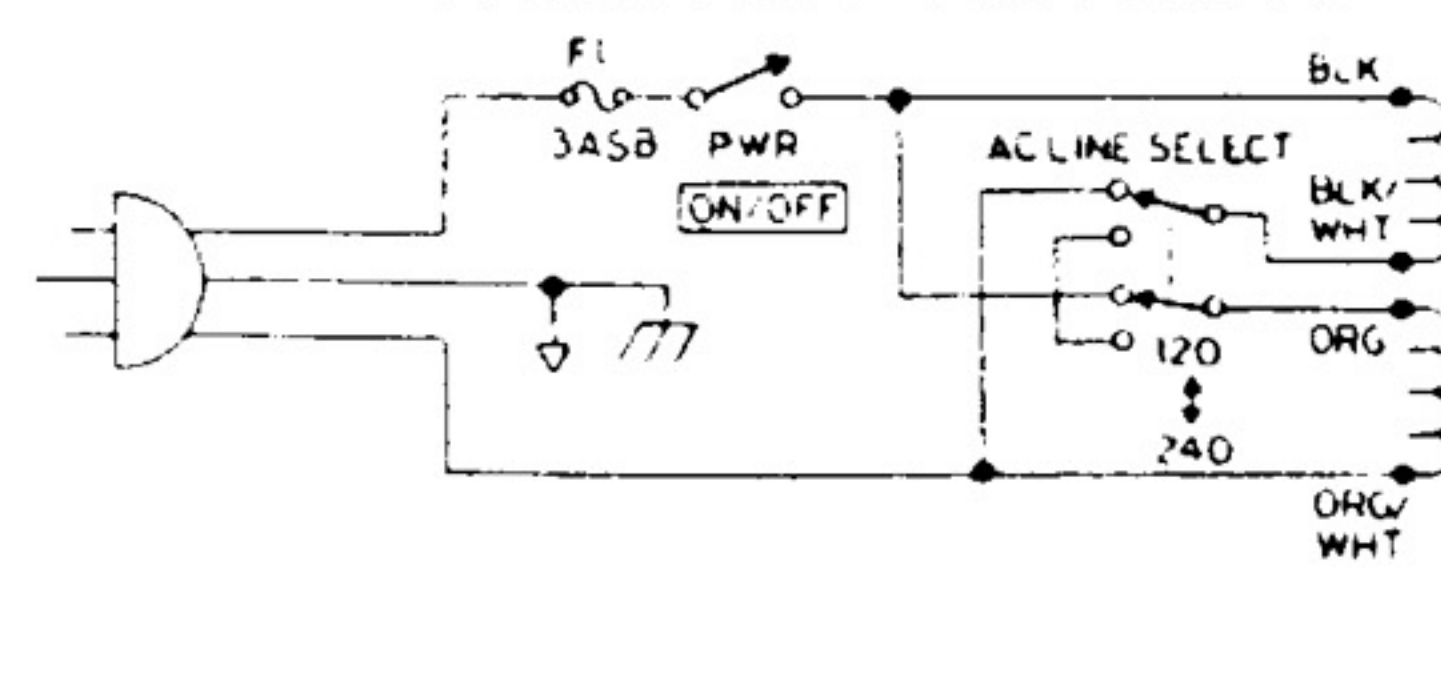


- UNLESS OTHERWISE NOTED:
- ALL CAPACITORS IN MICROFARADS.
 - ALL RESISTORS IN OHMS, 1/4W
 - Q1-Q6, Q8-Q11 ARE J175.
 - V1, V2, V3 ARE 12AX7A.
 - V4, V5, V6, V7 ARE 6L6GC.
 - A1, A2, A4 AND A5 ARE 4558 TYPES.
 - A3 IS 4558 TYPE.
 - A6 IS 4049 TYPE.
 - FOR 60WATT MODEL DELETE V4, V7, R109, R112, R116.
 - FOR 40WATT MODEL ONLY:
 - T1 POWER TRANSFORMER IS P150.
 - T2 OUTPUT TRANSFORMER IS OTG616.
 - D6, D7, D8, D9, D10 ARE CR100.
 - D11, D12, D13, D14 ARE IN4003.
 - SELECT R127 FOR IDLE CURRENT OF 100mA (50mA FOR X 60B).
 - CAUTION! HIGH VOLTAGE IS USED IN THIS UNIT.

MODEL NO. X 40B Y 100B	f (Hz)	X	RA(X)	RB(X)	RC(X)	RD(X)	CA(X)	CB(X)	OPAMP
	3K	75	24K	24K	47K	5.6K	.0022	.0022	A2(A)
	15K	150	5.6K	5.6K	12K	5.6K	.022	.022	A3(A)
	500	500	15K	15K	33K	5.6K	.022	.022	A3(B)
	150	15	33K	33K	7.5K	5.6K	.22	.22	A4(B)
	75	3	9.1K	9.1K	18K	4.7K	.22	.22	A4(A)

MODEL NO. X 60B Y 212	f (Hz)	X	RA(X)	RB(X)	RC(X)	RD(X)	CA(X)	CB(X)	OPAMP
	75	75	9.1K	9.1K	18K	4.7K	.22	.22	A2(A)
	150	150	3.3K	3.3K	7.5K	5.6K	.022	.022	A3(A)
	500	500	15K	15K	33K	5.6K	.022	.022	A3(B)
	15K	15	5.6K	5.6K	12K	5.6K	.022	.022	A4(B)
	3K	3	24K	24K	47K	5.6K	.0022	.0022	A4(A)



SYMBOL	FIRST	LAST
A	A1	A6
C	C1	C95
D	D1	D17
P	P1	P8
Q	Q1	Q13
R	R1	R73
	R95	R98
V	V1	V7

LAST PCN 298

CARVIN 1133 INDUSTRIAL AVENUE
SCCONDINO CA 95075
415 747 1310

X-AMP 405 EQ-5
MODELS: X-60B X-100B
XV-112 XV-212 X-100
X-1100 4Br PCB 101C

DRAWN: [Signature] DATE: 2/21/84
APPROVED: [Signature] DATE: 2/21/84
DRAWING NUMBER: 2028 REV: K