

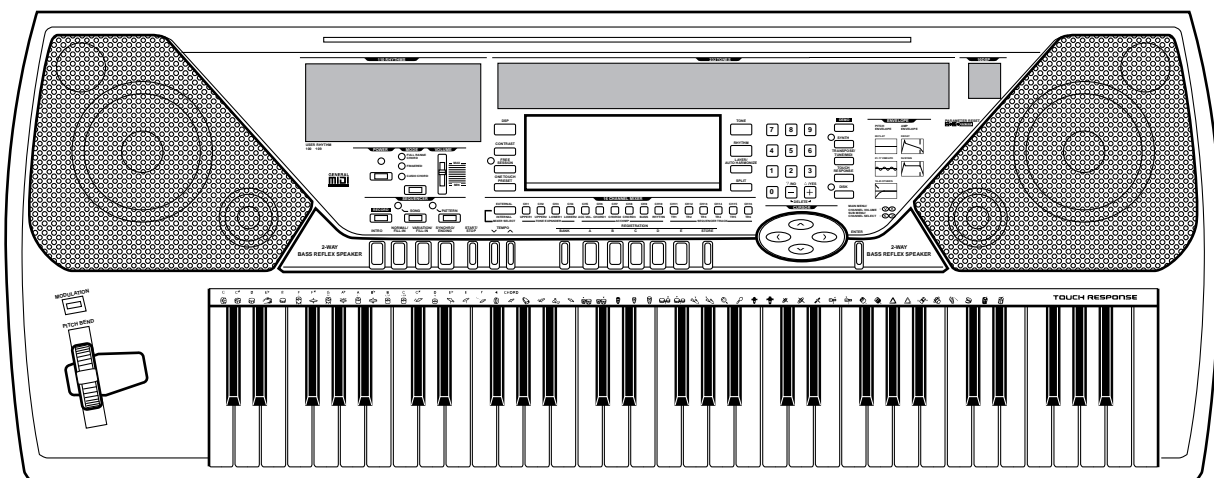
CASIO®

Service Manual

(without price)

CTK-811EX

JUL.1998



CTK-811

GM SOUND KEYBOARD

CONTENTS

Safety Notice	2
Specifications	3
Important Operation	5
Block Diagram	6
Circuit Description	7
Diagnostic Program	22
Major Waveforms	28
Printed Circuit Board	29
Exploded View	31
Parts List	32
Schematic Diagrams	35

SAFETY NOTICE

CAUTION!

Danger of explosion if battery is incorrectly replaced. Replace only with the same or equivalent type.

DENMARK:

ADVARSE!

Lithiumbatteri. Eksplosionsfare ved fejlagtig handling. Udskiftning må kun ske med batteri af samme fabrikat og type. Lever det brugte batteri tilbage til leverandoren.

FINLAND:

VAROITUS

Paristo voi äjhtää, jos se on virheellisesti asennettu. Vaihda paristo ainoastaan valmistajan suosittelemaan tyyppiin. Hävitä käytetty paristo valmistajan ohjeiden mukaisesti.

SWEDEN:

VARNING

Felaktigt batteribyte kan medf fara för explosion. Använd därför endast samma typ eller likvärdig typ enligt apparattillverkarens rekommendation. Kassera förbrukade batterier enligt tillverkarens anvisning.

SPECIFICATIONS

GENERAL

Keyboard:	61 standard-size keys, 5 octaves (with touch response on/off; ExLight/Light/Normal/Heavy touch)
Tones:	232 (128 General MIDI, 64 variation, 8 drum, 32 user); with layer and split
Rhythm instrument tones:	53
Polyphony:	32 notes maximum (16 for certain tones)
Digital effects:	10 (REVERB 1, 2, 3; CHORUS; TREMOLO; PHASE SHIFTER; ORGAN SPEAKER; ENHANCER; FLANGER; EQ LOUDNESS)
Auto accompaniment	
Rhythm patterns:	110 (100 + 10 user rhythms)
Tempo:	Variable (226 steps, ♩ = 30 to 255)
Chords:	3 fingering methods (CASIO CHORD, FINGERED, FULL RANGE CHORD)
Rhythm controller:	Start/Stop, Intro, Normal/Normal Fill-In, Variation/Variation Fill-In, Synchro/Ending
Accomp volume:	0 to 127 (128 steps)
One touch presets:	Recalls settings for tone, tempo, layer, and Auto Harmonize in accordance with rhythm.
Auto harmonize:	Automatic addition of notes that harmonize with melody note in accordance with specified Auto Accompaniment chords.
Free session	
Number of patterns:	100 (Auto Accompaniment function based on preset chord progressions.)
Song sequencer	
Songs:	2
Recording tracks:	6 (2 through 6 are melody tracks)
Recording method:	Real-time
Memory capacity (total for two songs):	Approximately 4,900 notes
Punch in:	Supported
Pattern sequencer	
Number of patterns:	10 (Rhythm numbers 100 to 109)
Memory capacity:	Approximately 7,000 notes
Elements:	Intro, Normal, Variation, Normal Fill-In, Variation Fill-In, Ending
Parts:	Chord 1, 2, 3; Bass; Rhythm
Recording method:	Real-time
Registration memory	
Number of setups:	20 (5 setups × 4 banks)
Memory contents:	Tone, Rhythm, Tempo, Split on/off, Split point, Layer on/off, Auto Harmonize on/off, Mixer settings, Keyboard channel on/off, DSP (digital effect) on/off, DSP (digital effect) settings, Accompaniment mode, Touch Response settings, Assignable jack setting, Transpose, Tuning, Pitch Bend range, Sound range shift on/off
Demo tunes:	2
Synthesizer	
Parameters:	PCM set, amp envelope set, attack rate, release rate, pitch envelope set, pitch, level, touch sensitivity, pan, filter sensitivity, filter level, transpose
Mixer	
Channels:	16
Modes:	Internal, External, External/Solo, External/Play
Parameters:	Program change number, volume, expression, pan, coarse tuning, fine tuning, Effect Send
MIDI:	16-channel multi-timbre receive, General MIDI Level 1

Other functions

Pitch bend range: Adjustable (12 semitones upwards and downwards)
 Modulation: Equipped
 Transpose: 25 steps (-12 semitones to +12 semitones)
 Tuning: Adjustable (A4 = approximately 440Hz ± 50 cents)

Terminals

MIDI terminal: IN, OUT
 Sustain/Assignable jack: Standard jack (sustain, sostenuto, soft, rhythm start/stop)
 Headphones/Output: Stereo standard jack
 Output Impedance: 250 Ω
 Output Voltage: 5 V (RMS) MAX
 12 V DC

Floppy disk drive

Type: 3.5" FDD
 Formats: 2DD (720KB MS-DOS format)
 2HD (1.44MB MS-DOS format)
 Functions: Save and load of user tones, user rhythms, sequencer, and registration data; playback of SMF; disk formatting; file delete; accompaniment pattern style conversion

Power supply:

Batteries: Dual power supply system
 Six D-size batteries
 Battery life: Approximately 3 hours continuous operation on alkaline batteries
 AC adapter: AD-12
 Auto power off: Turns power off approximately six minutes after last key operation. Enabled under battery power only, can be disabled manually.

Speaker output:

5 W + 5 W

Power consumption:

12 V --- 18 W

Dimensions:

109.2 × 42.7 × 15.7 cm (43 1/16 × 16 13/16 × 6 3/16 inch)

Weight (without batteries):

Approximately 9.2 kg (20.3 lbs)

Standard accessories:

Music Stand; Pattern Conversion Disk; Data Disk; Disk User's Guide; Keyboard User's Guide

ELECTRICAL**Current drain with 12 V DC:**

No sound output 440 mA ± 20 %
 Maximum volume 2000 mA ± 20 %
 with 10 keys from C3 to E4 pressed in whistle tone
 Volume: MAX., Velocity: MAX.
 DSP0: Reverb1, FDD: Replay

Phone output level (Vrms with 8 Ω load each channel):

with tone Synth-Bass 4 tone L-ch (Key C4) 100 mV ± 20 %
 Volume: MAX., Velocity: MAX. R-ch (Key F3) 92 mV ± 20 %
 DSP0: Reverb1

Speaker output level (Vrms with 8 Ω load each channel):

with tone Synth-Bass 4 tone L-ch (Key D3) 7.1 mV ± 20 %
 Volume: MAX., Velocity: MAX. R-ch (Key F3) 6.2 mV ± 20 %
 DSP0: Reverb1

Output level (Vrms with 47 kΩ load each channel):

with tone Synth-Bass 4 tone L-ch (Key C4) 3200 mV ± 20 %
 Volume: MAX., Velocity: MAX. R-ch (Key F3) 3100 mV ± 20 %
 DSP0: Reverb1

Minimum operating voltage:

6.1 V

IMPORTANT OPERATION

Full Initialization

Use this procedure to return all keyboard settings to what they were when you purchased it. Note that this procedure clears all data from memory.

- While holding down the ENTER button, turn on keyboard power.

Reset?

- Press YES to initialize the keyboard or NO to turn on power without changing any settings.

Parameter Initialization

Use this procedure to return all keyboard settings to what they were when you purchased it. Note that this procedure does not affect user tones, user rhythms, registration memory contents, and display contrast settings.

- While keyboard power is on, press the [+], [-], and ENTER buttons at the same time.

Adjusting Display Contrast

- Display contrast can be adjust to one of 100 levels for easy viewing.
- Adjusting display contrast helps to make figures easier to read from any viewing angle.
- Within five seconds after pressing the CONTRAST button, press [+] to increase the contrast value (making the display darker) or [-] to decrease it (making the display lighter).
- After you release CONTRAST, the message "Contrast" remains on the display for a few moments, during which you can change the contrast setting further using [+] and [-] or by inputting a contrast value with the number keys.

The contrast can be set to a value from 0 to 99. The initial default setting is 50.

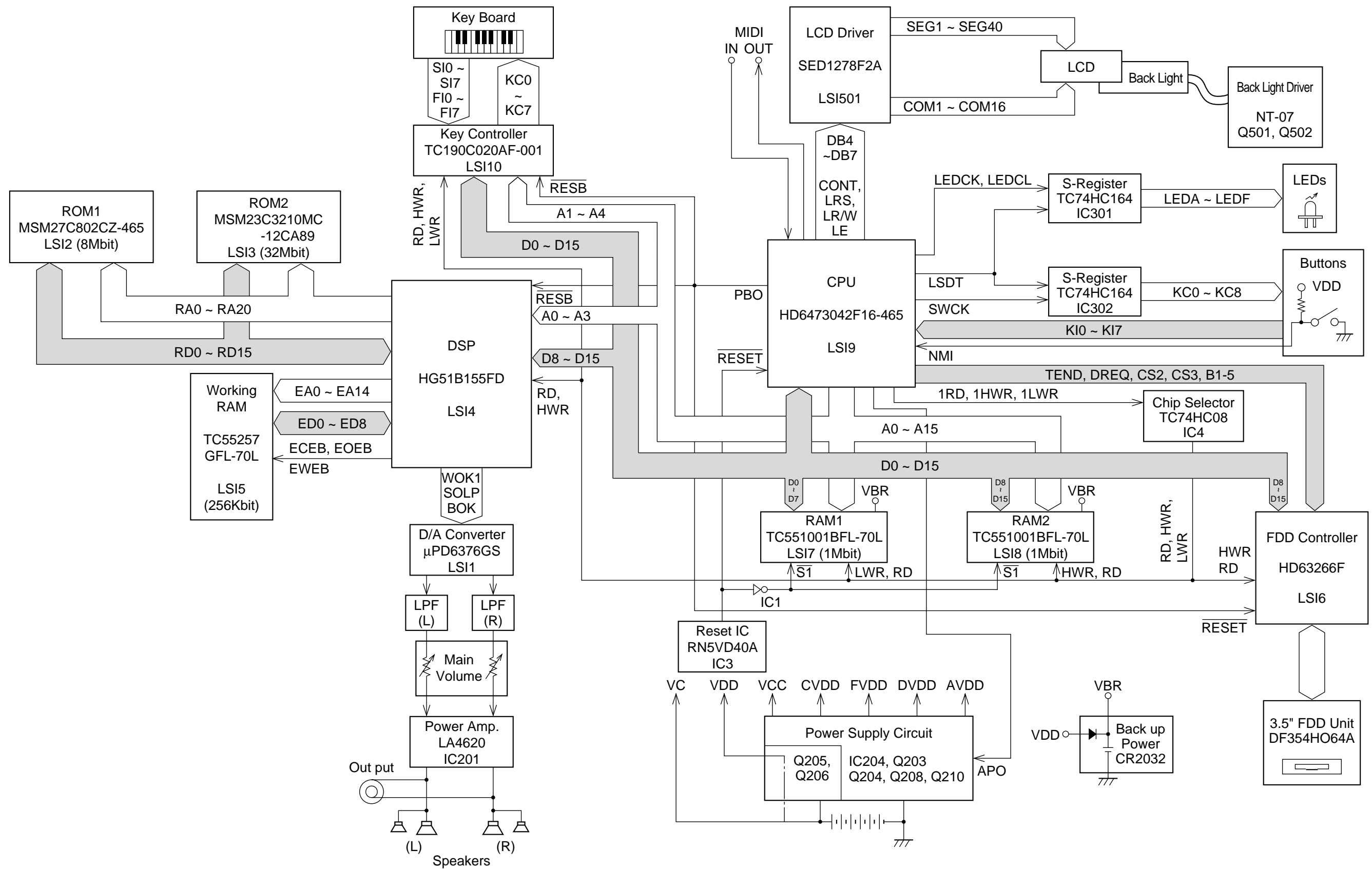
GM (General MIDI):

General MIDI standardizes MIDI data to play music with same nuance between different MIDI instruments. Among GM conformed MIDI instruments, or commercially available musical data, music can be played with similar tones.

SMF (Standard MIDI File):

SMF is a standard file format for MIDI instruments and computer music software. SMF formatted data can be played and transported easily among SMF complied instruments or musical data of different manufacturers.

BLOCK DIAGRAM

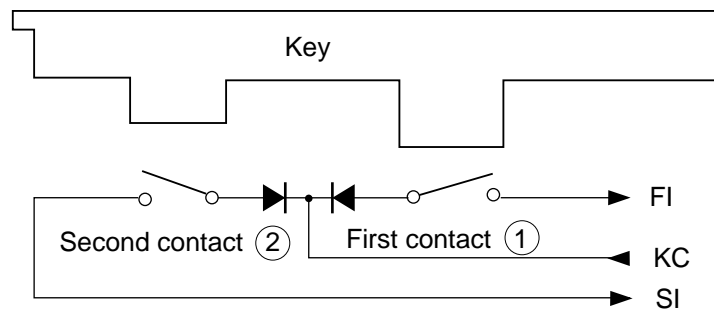


CIRCUIT DESCRIPTION

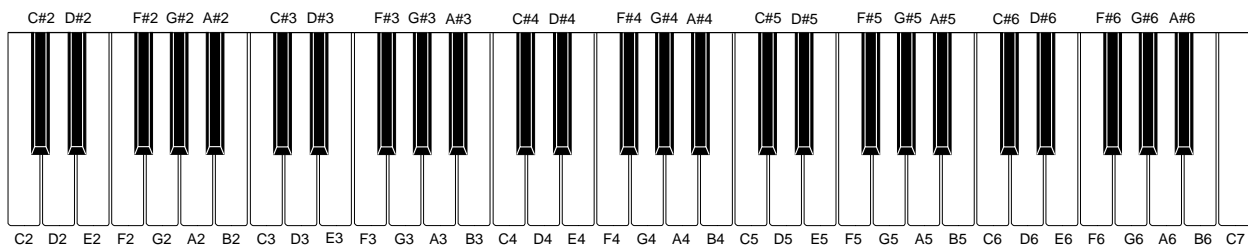
KEY MATRIX

	KC0	KC1	KC2	KC3	KC4	KC5	KC6	KC7
FI0	C2 ①	C#2 ①	D2 ①	D#2 ①	E2 ①	F2 ①	F#2 ①	G2 ①
SI0	C2 ②	C#2 ②	D2 ②	D#2 ②	E2 ②	F2 ②	F#2 ②	G2 ②
FI1	G#2 ①	A2 ①	A#2 ①	B2 ①	C3 ①	C#3 ①	D3 ①	D#3 ①
SI1	G#2 ②	A2 ②	A#2 ②	B2 ②	C3 ②	C#3 ②	D3 ②	D#3 ②
FI2	E3 ①	F3 ①	F#3 ①	G3 ①	G#3 ①	A3 ①	A#3 ①	B3 ①
SI2	E3 ②	F3 ②	F#3 ②	G3 ②	G#3 ②	A3 ②	A#3 ②	B3 ②
FI3	C4 ①	C#4 ①	D4 ①	D#4 ①	E4 ①	F4 ①	F#4 ①	G4 ①
SI3	C4 ②	C#4 ②	D4 ②	D#4 ②	E4 ②	F4 ②	F#4 ②	G4 ②
FI4	G#4 ①	A4 ①	A#4 ①	B4 ①	C5 ①	C#5 ①	D5 ①	D#5 ①
SI4	G#4 ②	A4 ②	A#4 ②	B4 ②	C5 ②	C#5 ②	D5 ②	D#5 ②
FI5	E5 ①	F5 ①	F#5 ①	G5 ①	G#5 ①	A5 ①	A#5 ①	B5 ①
SI5	E5 ②	F5 ②	F#5 ②	G5 ②	G#5 ②	A5 ②	A#5 ②	B5 ②
FI6	C6 ①	C#6 ①	D6 ①	D#6 ①	E6 ①	F6 ①	F#6 ①	G6 ①
SI6	C6 ②	C#6 ②	D6 ②	D#6 ②	E6 ②	F6 ②	F#6 ②	G6 ②
FI7	G#6 ①	A6 ①	A#6 ①	B6 ①	C7 ①			
SI7	G#6 ②	A6 ②	A#6 ②	B6 ②	C7 ②			

Note: Each key has two contacts, the first contact ① and second contact ②.



NOMENCLATURE OF KEYS



BUTTON MATRIX

	KI0	KI1	KI2	KI3	KI4	KI5	KI6	KI7
KC0	MODE	INTRO	MIXER SELECT	CH8	A	CH16	SPLIT	H/NO —
KC1	RECORD	NORMAL/ FILL-IN	CH1	CH9	B	E	LAYER/ AUTO HARMO	2
KC2	SONG	VARIATION/ FILL-IN	CH2	CH10	C	H	RHYTHM	5
KC3	PATTERN	SYNCHRO/ ENDING	CH3	CH11	D	ENTER	TONE	8
KC4	DSP	START/ STOP	CH4	CH12	E	DISK	0	G/YES +
KC5	CON- TRAST	TEMPO G	CH5	CH13	STORE	TOUCH RESPONSE	1	3
KC6	FREE SESSION	TEMPO H	CH6	CH14	G	TRANS- POSE	4	6
KC7	ONE TOUCH PRESET	BANK	CH7	CH15	F	SYNTH	7	9

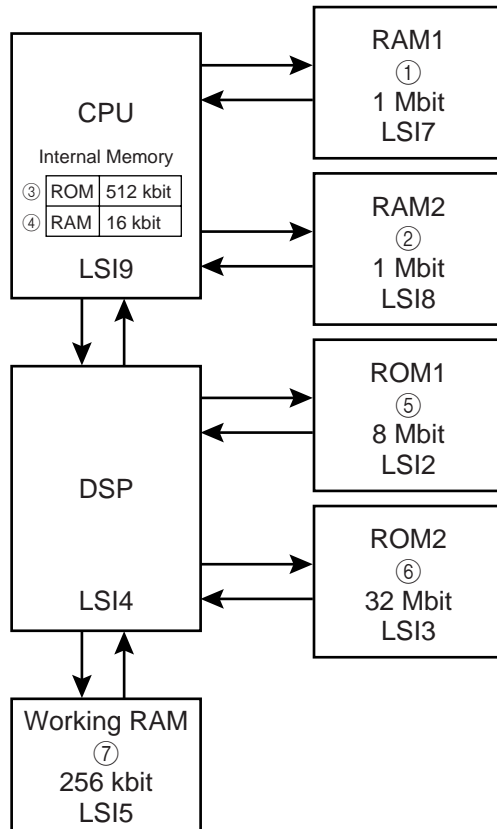
DMSW	DEMO
------	------

LED MATRIX

LED-A	LED-B	LED-C	LED-D	LED-E	LED-F
FULL RANGE CHORD	FINGERD	CASIO CHORD	FREE SESSION	SYNTH	DISK

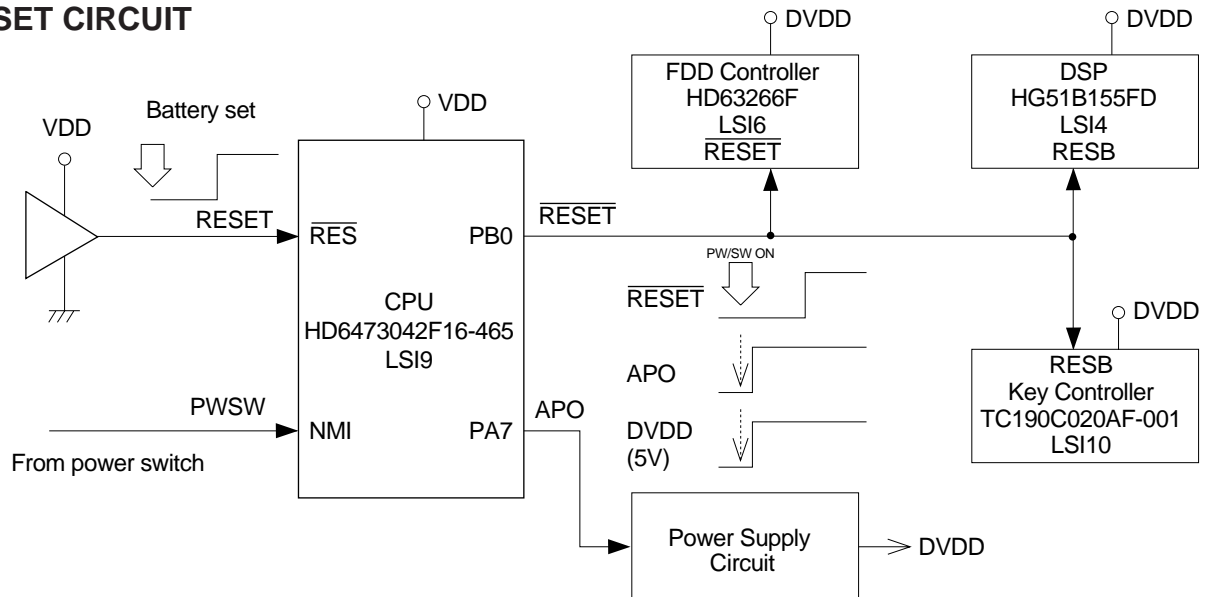
MEMORY DEVICES

Each memory device has the following data.



- ① RAM1 :
S-RAM for operation program, Register, Pattern, Song and SMF data from FDD. (Lower part of data bus)
- ② RAM2 :
S-RAM for operation program, Register, Pattern, Song and SMF data from FDD. (Upper part of data bus)
- ③ Internal ROM of CPU :
Main program data for system operation
- ④ Internal RAM of CPU :
Work area for system operation
- ⑤ ROM1 :
Demo, Accompaniment data, Song, Pattern, Synth, Disk mode
- ⑥ ROM2 :
Sound Waveforms/Tone data Digital sound effect
- ⑦ Working RAM :
Work area for DSP

RESET CIRCUIT



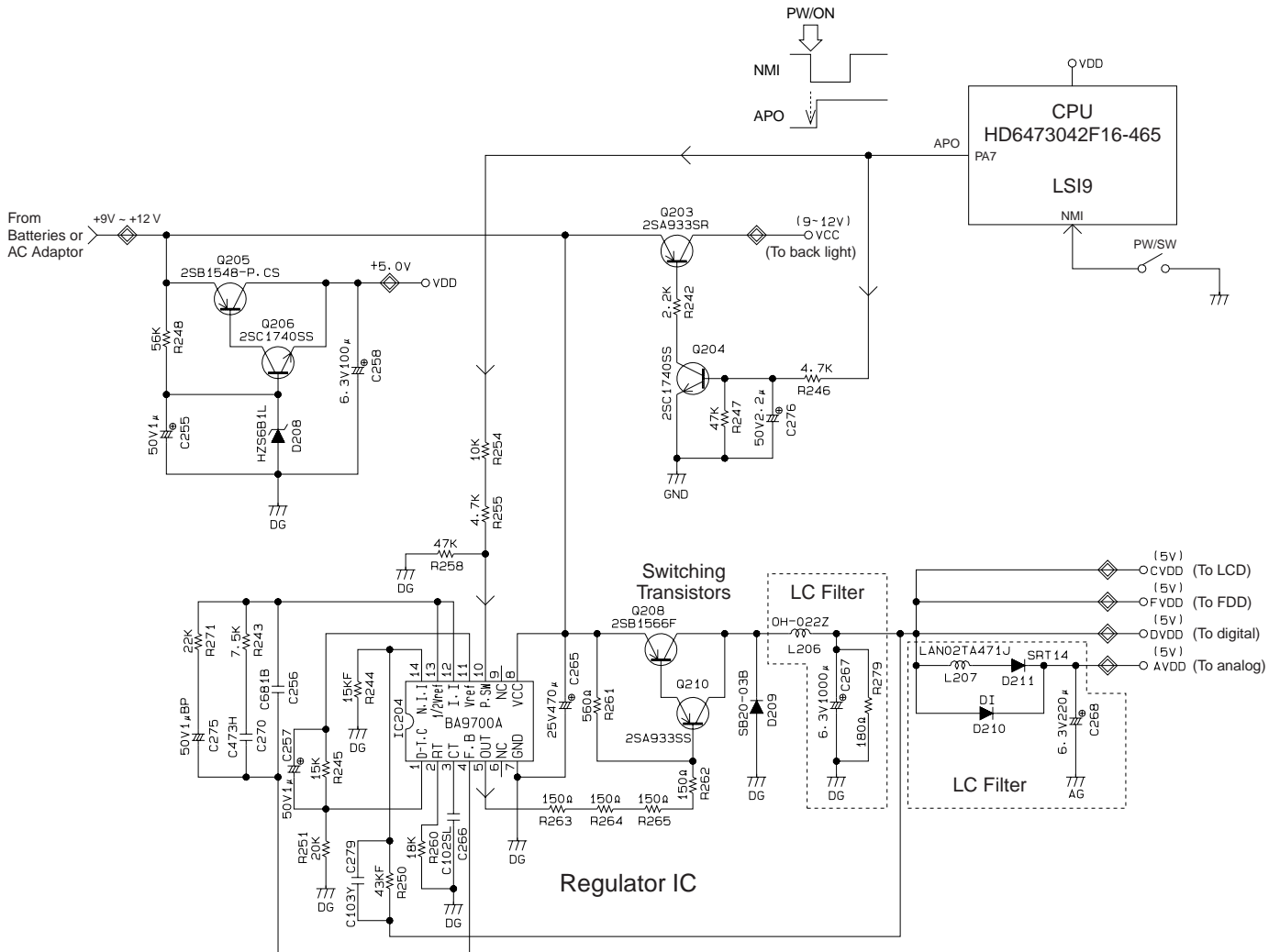
Initial reset

When batteries are set or an AC adapter is connected, the reset IC provides a low pulse to the CPU.

When the power switch is pressed, the CPU receives a low pulse of POWER signal. The CPU first raises APO signal to +5 V to generate DVDD voltage, then raises RESET signal to +5 V. During this period the DSP, the key controller and FDD controller LSIs initialize their internal circuits.

POWER SUPPLY CIRCUIT

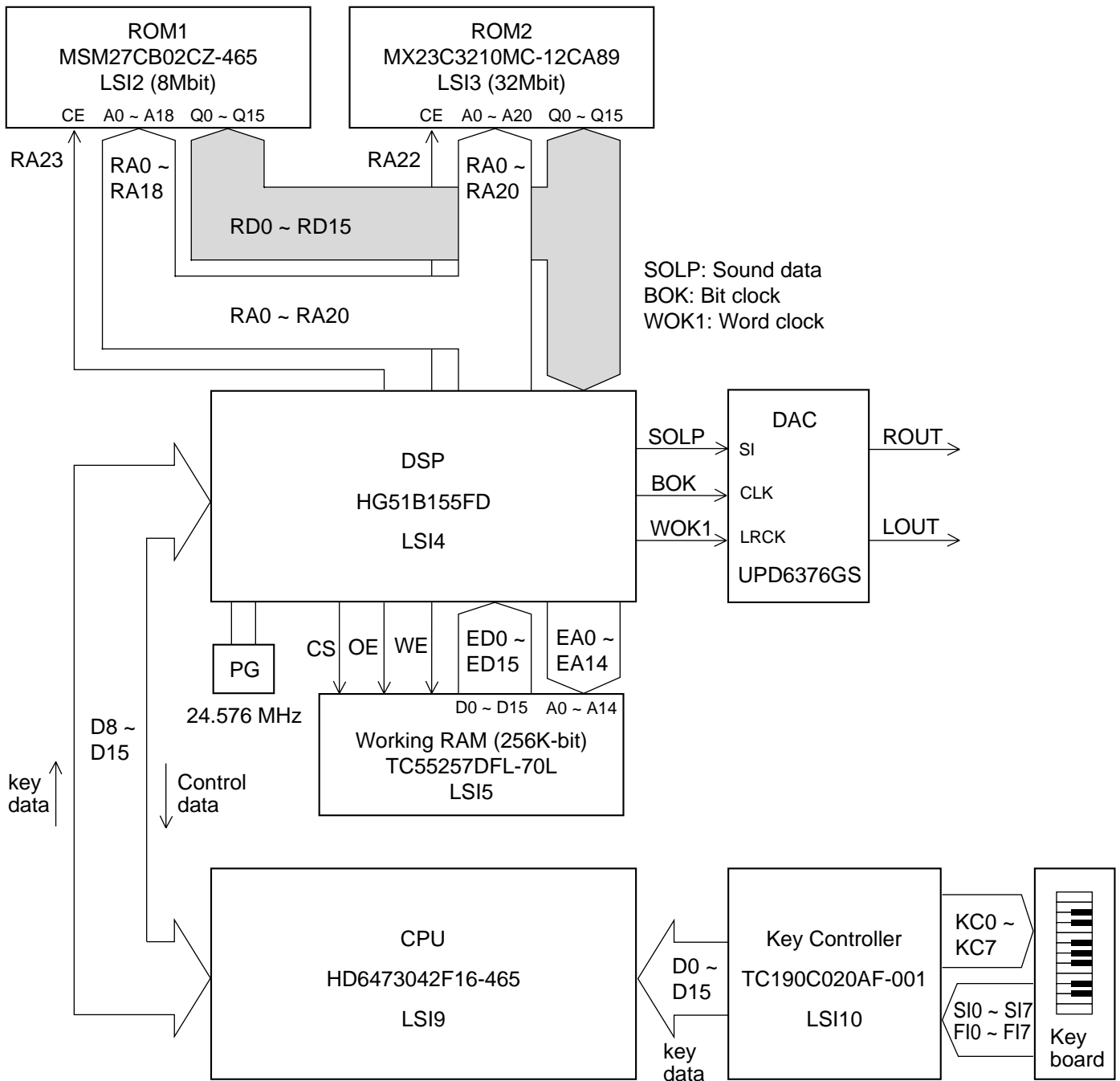
The power supply circuit provides various voltages as shown below. The voltage VDD (+5 V) is provided as long as batteries or AC adaptor is set. Other voltages are controlled by APO (Auto Power Off) signal from CPU.



The regulator IC BA9700A generates square waveform from pin 5 as PWM (Pulse Wide Modulation). The LC filter makes stable output voltage (+5 V) for each circuit as shown above.

DSP and DAC CIRCUIT

The DSP (Digital Signal Processor) and DAC (Digital Analog Converter) consists of the following circuits.

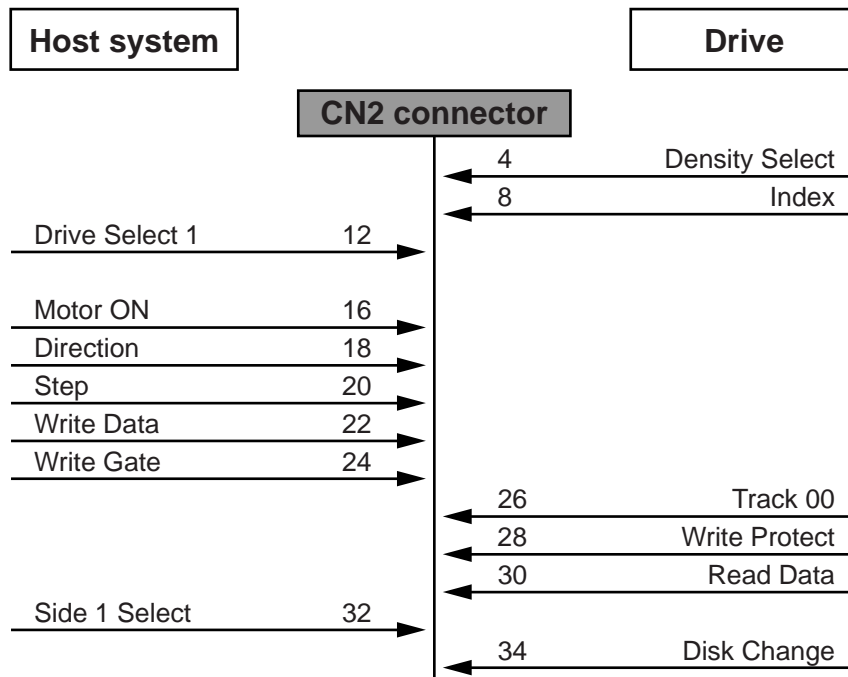


FDD UNIT (DF354H064A)

FDD Specifications:

- ① Memory Capacity (under un-format) : 1.6 MByte
- ② Density of track : 5.33 track/mm (135 TPI)
- ③ Number of track : 77 track/side
- ④ Number of head : 2
- ⑤ Rate of data transfer : 500 kbps
- ⑥ Access time (between two tracks) : 3 m seconds
- ⑦ Compensation of writing data : 125 n second (all tracks)
- ⑧ Rotation speed : 360 Min^{-1} (rpm) $\pm 1.5 \%$

FDD Interface:

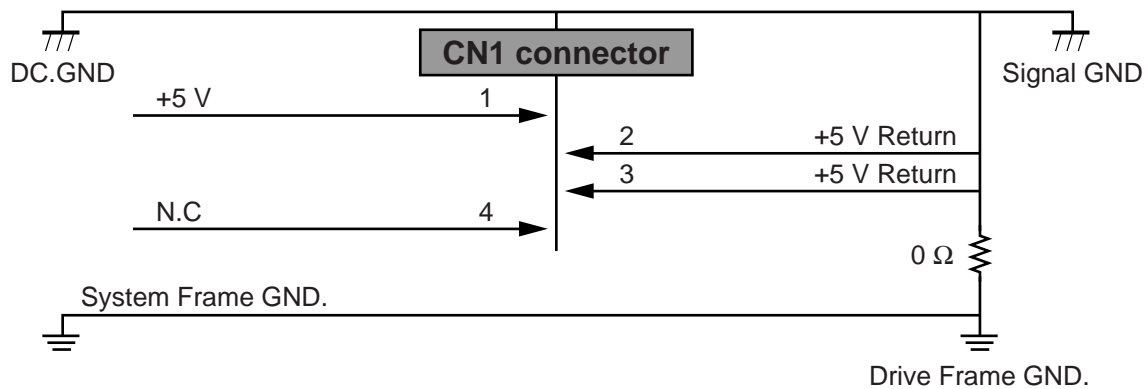


GND Pin Numbers of CN2:

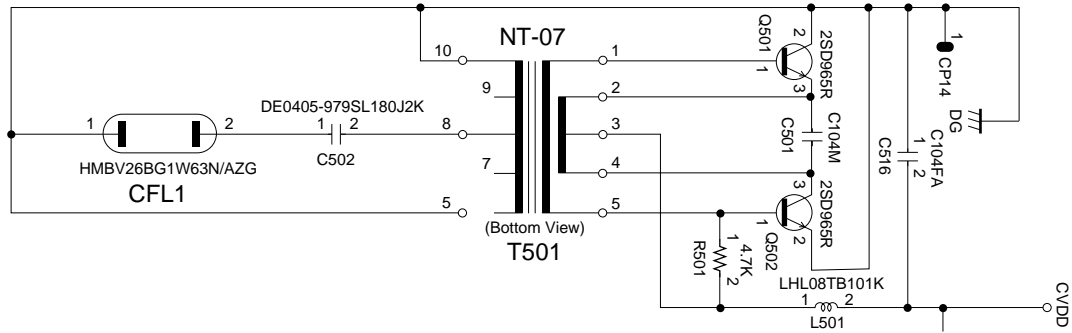
1, 5, 7, 9, 11, 13, 15, 17, 19, 21, 23, 25, 27, 29, 31, 33

Non connected Pin Numbers of CN2:

2, 6, 10, 14 (Pin #3 is removed to prevent erroneous insertion)



LCD BACKLIGHT



When voltage CVDD is supplied, transistors Q501 and Q502 start oscillation. From the oscillation voltage, transformer T501 generates about 600 V which is necessary for lighting the backlight.

CPU (LSI9: HD6473042F16-465)

The 16 bit CPU contains a 512K-bit ROM, a 16K-bit RAM, eleven 8-bit I/O ports, an A/D converter and serial interfaces. The CPU accesses to the RAM1, RAM2, DSP, Key controller, FDD controller and LCD driver LSI. The CPU also controls buttons, LEDs, bender input and MIDI input/output.

Pin No.	Terminal	In/Out	Function
1	VCC	In	VCC (5 V) source.
2 ~ 5	PB0 ~ PB3	Out	Data bus for LCD driver.
6	PB4	Out	Chip enable signal for LCD driver.
7	PB5	Out	Read/write signal for LCD driver.
8	$\overline{\text{DREQ0}}$	—	DMA (Direct Memory Access) request.
9	PB7	Out	Register selection signal for LCD driver.
10	$\overline{\text{RES0}}$	In	Not used.
11	VSS	In	Ground terminal (0 V).
12	TXD0	Out	MIDI signal output.
13, 15 ~ 17	P91, P93~P95	In	Key input signal from buttons.
14	RXD0	In	MIDI signal input.
18 ~ 21 23 ~ 34	D0 ~ D15	In/Out	Data bus.
22	VSS	In	Ground terminal (0 V).
35	VCC	In	Vcc (5 V) source.
36 ~ 43, 45 ~ 56	A0 ~ A19	Out	Address bus.
44, 57	VSS	In	Ground terminal (0 V).
55, 59, 60	P52, P61, P62	In	Key input signal from buttons.
58	$\overline{\text{WAIT}}$	—	Not used.
61	CLKOUT	Out	Clock signal (16 MHz).
62	STBY	—	Not used.
63	$\overline{\text{RES}}$	In	Reset signal at VDD (5 V) supplied.
64	NMI	In	Power ON signal input.
65	VSS	In	Ground terminal (0 V).
66, 67	EXTAL, XTAL	In	Clock (16 MHz) input.
68	VCC	In	Vcc (5 V) source.
69	$\overline{\text{AS}}$	—	Not used.
70	$\overline{\text{RD}}$	Out	Read signal.
71	$\overline{\text{HWR}}$	Out	Write signal for upper data bus.
72	$\overline{\text{LWR}}$	Out	Write signal for lower data bus.
73 ~ 75	MD0 ~ MD2	In	Mode selection terminals.
76, 77	AVCC, VREF	In	Power source and reference voltage for internal A/D, D/A.
78	AN0	In	Battery voltage detection (Not used).
79	AN1	In	Pitch bender voltage detection.

Pin No.	Terminal	In/Out	Function
80	P72	In	AC adaptor detection terminal.
81	P73	In	Modulation signal input.
82	P74	In	Pedal signal input.
83	P75	In	FD sheet type (2HD, 2DD) signal input.
84	P76	In	Key input signal from buttons.
85	DA1	Out	LCD contrast control voltage output.
86	AVSS	In	Ground terminal (0 V).
87	PB0	Out	Reset signal for DSP, Key controller, FDD controller.
88	$\overline{CS3}$	Out	Chip select signal for FDD.
89	$\overline{CS2}$	Out	Acknowledge signal FDD DMA function.
90	$\overline{CS1}$	Out	Chip select signal for Key controller.
91	$\overline{CS0}$	Out	Chip select signal for DSP.
92	VSS	In	Ground terminal (0 V).
93	\overline{TEND}	Out	End signal for data transfer of FDD.
94	PA1	Out	Change signal for data transfer speed of FDD.
95	PA2	Out	Key input signal for DEMO button.
96	PA3	Out	Clock signal for shift register of KC signal.
97	PA4	Out	Clear signal for shift register of LED.
98	PA5	Out	Control signal for KC signal and LED.
99	PA6	Out	Clock signal for shift register of LED.
100	PA7	Out	APO (Auto Power Off) signal.

DIGITAL SIGNAL PROCESSOR (LSI4:HG51A115A01FD)

Upon receipt of note numbers and their velocities, the DSP (Digital Signal Processor) reads sound and velocity data from the sound source ROM in accordance with the selected tone; the DSP can read rhythm data simultaneously when a rhythm pattern is selected. Then it provides 16-bit serial signals containing data of the melody, chord, bass, and percussion to the DAC. The DSP also adds the selected effect to the sound data using a 256k-bit RAM.

The following table shows the pin functions of the DSP.

Pin No.	Terminal	In/Out	Function
1 ~ 8	CD0 ~ CD7	In/Out	Data bus
9, 10			Not used.
11	GND7	In	Ground (0 V) source
12	CK16	Out	24.576 MHz clock output
13	VCC6	In	+5 V source
14	CK0	In	Clock input. Connected to terminal CK16.
15	TCKB		Not used.
16	VCC1	In	+5 V source
17	GND1	In	Ground (0 V) source
18, 19	XT0, XT1	In/Out	24.576 MHz clock input/output. Connected to a crystal oscillator.
20	SGL	In	System control terminal. Single chip system: Open
21	CCSB	In	Chip select signal input
22 ~ 25	CA0 ~ CA3	In	Address bus
26	CE0	In	Not used. Connected to ground.
27	CWRB	In	Write enable signal
28	CRDB	In	Read enable signal
29 ~ 32			Not used.
33	RESB	In	Reset signal input
34	TESB	In	Not used. Connected to +5 V
35 ~ 39			Not used.
40 ~ 49 52 ~ 57	RD0 ~ RD15	In	Data bus for the ROM1 and ROM2
58	RA23	Out	Chip select signal for the ROM1
59	RA22	Out	Chip select signal for the ROM2
60	RA21	Out	Not used.
61 ~ 73 75 ~ 82	RA0 ~ RA20	Out	Address bus for the ROM1 and ROM2
74	GND5	In	Ground (0 V) source
83	WOK2	Out	Word clock output. Not used.
84	VCC3	In	+5 V source
85	GND3	In	Ground (0 V) source
86	WOK1	Out	Word clock for the DAC
87	SOLM	Out	Serial data output. Not used.
88	SOLP	Out	Serial data output for the DAC
89	BOK	Out	Bit clock output for the DAC

Pin No.	Terminal	In/Out	Function
90 ~ 92			Not used.
93	VCC	In	+5 V source
94, 95 97 ~ 105 107, 109 110, 112	EA0 ~ EA14	Out	Address bus for the working RAM
96	EWEB	Out	Write enable signal output for the working RAM
106	EOEB	Out	Read enable signal output for the working RAM
108	VCC7	In	+5 V source
111	ECEB	Out	Chip select signal output for the working RAM
113 ~ 117			Not used.
118	VCC4	In	+5 V source
119	GND4	In	Ground (0 V) source
120 ~ 122			Not used.
123 ~ 130	ED0 ~ ED7	In/Out	Data bus for the working RAM
131	GND5	In	Ground (0 V) source
132 ~ 134			Not used. Connected to ground.
135, 136			Not used.

FDD CONTROLLER (LSI6:HD63266F)

The FDD (Floppy Disk Drive) controller can control the FDD unit.

The controller contains not only analog VFO (Variable Frequency Oscillator) circuit but also driver/receiver, input/output port and oscillation circuit internally.

Pin No.	Terminal	In/Out	Function
1	8/ - 5	In	Change of data transfer speed.
2	XTALSEL	—	Not used. Connected to ground (0 V).
3	$\overline{\text{RESET}}$	In	Reset signal input.
4	E, -RD	In	Read signal.
5	R/-W, -WR	In	Write signal.
6	$\overline{\text{CS}}$	In	Chip select signal.
7	$\overline{\text{DACK}}$	In	Acknowledge signal of DMA (Direct Memory Access).
8, 9	RS0, RS1	In	Register selection for read/write.
10, 11	VSS1, VSS2	In	Ground terminal (0 V).
12 ~ 19	D0 ~ D7	In/Out	Data bus.
20	$\overline{\text{DREQ}}$	In	Request signal of DMA.
21	$\overline{\text{IRQ}}$	—	Not used.
22	$\overline{\text{DEND}}$	In	End signal for data transfer.
23	VSS3	In	Ground terminal (0 V).
24	1/2 EX1	—	Not used.
25	VCC1	In	DVDD (5 V) source.
26, 27, 28	NUM1, NUM2 IFS	—	Not used. Connected to ground (0 V).
29	SFORM	In	Selection signal for formatting.

Pin No.	Terminal	In/Out	Function
30	$\overline{\text{INP}}$	In	Disk detection signal.
31	$\overline{\text{READY}}$	In	Ready signal from FDD. (Connected to ground (0V).)
32	$\overline{\text{WPRT}}$	In	Write protect signal from FDD.
33	$\overline{\text{TRK0}}$	In	Track0 signal from FDD.
34	$\overline{\text{INDEX}}$	In	Index signal from FDD.
35	$\overline{\text{RDATA}}$	In	Read data signal from FDD.
36, 37, 38 39	XTAL2, EXTAL2 NC, XTAL1	—	Not used.
40	EXTAL1	In	Clock signal input from CPU (16 MHz).
41, 42	VSS4, VSS5	In	Ground terminal (0 V).
43	NC	—	Not used.
44 ~ 46	VCC2, VCC3, VCC4	In	DVDD (5 V) source.
47	$\overline{\text{WGATE}}$	Out	Write gate signal to FDD.
48	$\overline{\text{WDATA}}$	Out	Write data signal to FDD.
49	VSS6	In	Ground terminal (0 V).
50	$\overline{\text{STEP}}$	Out	Step signal for FDD head.
51	$\overline{\text{HDIR}}$	Out	Head direction signal for FDD.
52	HLOAD	Out	Not used.
53	$\overline{\text{HSEL}}$	Out	Head selection signal for FDD.
54	VSS7	In	Ground terminal (0 V).
55	$\overline{\text{DS0}}$	Out	Drive selection signal.
56, 57, 58	$\overline{\text{DS1}}, \overline{\text{DS2}}, \overline{\text{DS3}}$	—	Not used.
59	VSS8	In	Ground terminal (0 V).
60	$\overline{\text{MON0}}$	Out	Motor ON signal for FDD.
61, 62, 63	$\overline{\text{MON1}}, \overline{\text{MON2}},$ $\overline{\text{MON3}}$	—	Not used.
64	VSS9	In	Ground terminal (0 V).

KEY TOUCH LSI (LSI10: TC190C020AF-001)

By counting the time between first-key input signal FI and second-key SI from the keyboard unit, the key touch LSI detects key velocity of 256-step. Then the LSI sends the CPU the note number and its velocity data.

Pin No.	Terminal	In/Out	Function
1	WRB	In	Write signal from CPU.
2 ~ 11, 13, 14, 16 ~ 19	D0 ~ D15	In/Out	Data bus.
12	VSS	In	Ground terminal (0 V).
15	VDD	In	VDD (5 V) source.
20 ~ 23	CA0 ~ CA3	In	Address bus.
24	VSS	In	Ground terminal (0 V).
25 ~ 32, 34, 35	FI0 ~ FI4, SI0 ~ SI4	In	Key input signal.
33	VDD	In	VDD (5 V) source.
36 ~ 38, 40 ~ 44	KC0 ~ KC7	Out	Key scan signal.
39	VSS	In	Ground terminal (0 V).
45	VDD	In	VDD (5 V) source.
46 ~ 51	FI5 ~ FI7 SI5 ~ SI7	In	Key input signal.
52	VSS	In	Ground terminal (0 V).
53 ~ 58, 60 ~ 62	FI8 ~ FI10 SI8 ~ SI10 KI0 ~ KI2	In	Key input signal (Not used).
59	VDD	In	VDD (5 V) source.
63, 64	MODE0, MODE1	—	Not used.
65	VSS	In	Ground terminal (0 V).
66	KCKI	In	Clock signal for key common/input.
67 ~ 72, 74 ~ 77		—	Not used.
73	VDD	In	VDD (5 V) source.
78	RESB	In	Reset signal from CPU.
79	CSB	In	Chip selection signal.
80	RDB	In	Read signal from CPU.

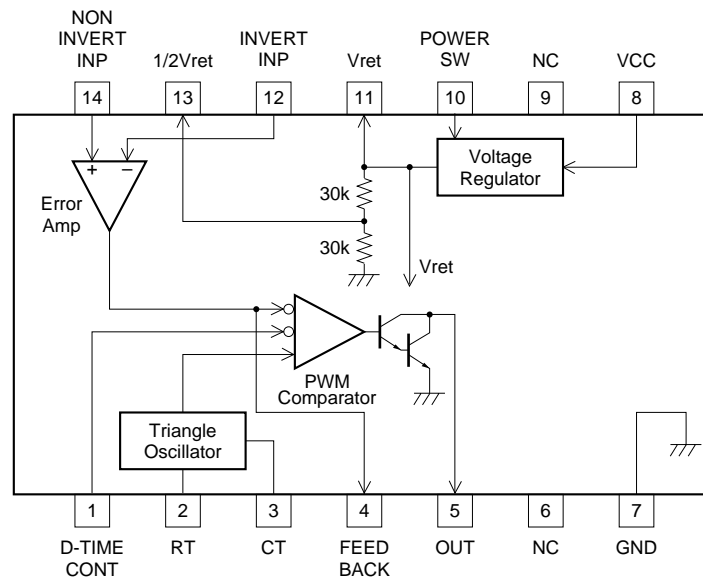
LCD DRIVER (LSI501: SED1278F2A)

The LCD driver can drive a dot matrix LCD having 40 segment and 16 common lines. The LSI contains 240 graphic symbols in the built-in character generator ROM, and stores 80 characters in the built-in display data RAM. In accordance with command from the CPU, the LSI is capable of displaying up to 16 characters simultaneously. The following table shows the pin functions of LSI 501.

Pin No.	Terminal	In/Out	Function
1 ~ 22, 63 ~ 80	SEG1 ~ SEG40	Out	Segment signal output
23	VSS	—	GND (0 V) source
24, 25	OSC1, OSC2	In/Out	Terminals for the built-in clock pulse generator. The external resistor connected determines the oscillation frequency.
26 ~ 30	V1 ~ V5	In	LCD drive voltage input. Those voltages are used for generating the stepped pulse of the LCD drive signals.
31, 32	LP, XSCL	—	Not used
33	VDD	In	LVDD (+5 V) source
34, 35	FR, DO	—	Not used
36	RS	In	Data/command determination terminal. High: data, Low: command
37	R/W	In	Read/write terminal. High: read, Low: write
38	E	In	Chip enable signal. High: enable, the writing is done at fall edge. Low: disenable
39 ~ 42	DB0 ~ DB3	—	Not used. Connected to GND (0 V)
43 ~ 46	DB4 ~ DB7	In/Out	Data bus
47 ~ 62	COM1 ~ COM16	Out	Common signal/output

REGULATOR IC (IC204: BA9700A)

The regulator IC controls the output voltage by PWM (Pulse Wide Modulation) with outer switching transistors and LC filters (integration circuit).



DAC (LSI1: UPD6376GS)

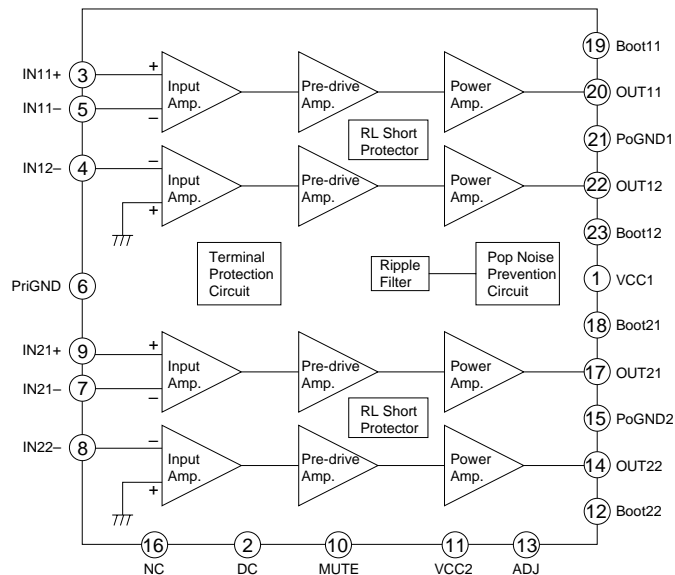
UPD6376GS is a two-channel 16-bit Digital to Analog Convertor consisting of resistor string, output amplifier and zero offset circuit.

The DAC receives 16-bit serial data output from the DSP. The data contains digital sound data of the melody, chord, bass, and percussion for the right and left channels. The DAC converts the data into analog waveforms by each channel and output them separately.

Pin No.	Terminal	In/Out	Function
1	SEL	In	Mode selection terminal. Connected to ground.
2	D.GND	In	Ground (0 V) source for internal digital circuit
3	NC		Not used.
4	DVDD	In	+5 V source for internal digital circuit
5	A.GND	In	Ground (0 V) source for internal analog circuit
6	R.OUT	Out	Sound waveform output
7	A.VDD	In	+5 V source for internal analog circuit
8	A.VDD	In	+5 V source for internal analog circuit
9	R.REF	In	Reference voltage terminal. Connected to a capacitor.
10	L.REF	In	Reference voltage terminal. Connected to a capacitor.
11	L.OUT	Out	Left channel sound waveform output
12	A.GND	In	Ground (0 V) source for internal analog circuit
13	LRCK	In	Word clock (L/R separation signal) input.
14	LRSEL	In	Not used. Connected to ground.
15	SI	In	Sound data input
16	CLK	In	Bit clock input

POWER AMPLIFIER (IC301: LA4620)

The power amplifier is a two-channel amplifier with standby switch.



DIAGNOSTIC PROGRAM

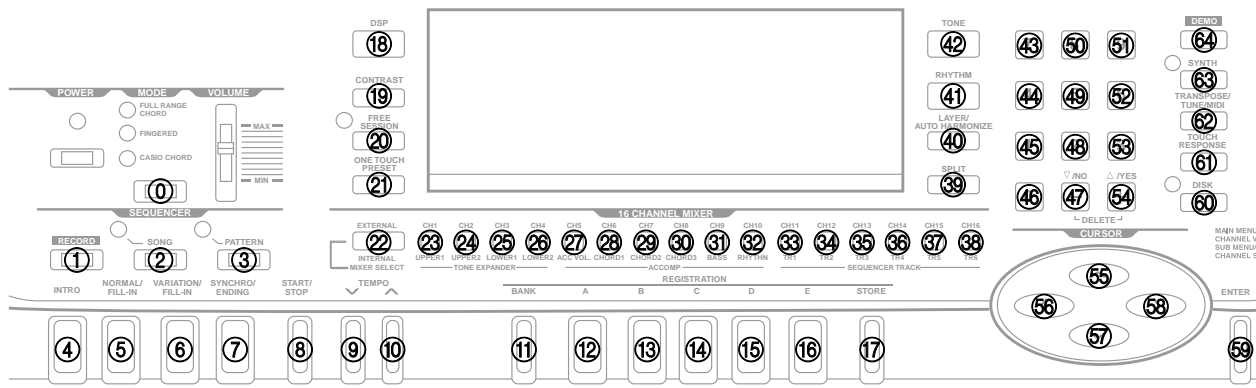
■ To enter diagnostic mode

1. While pressing down “0” and “ACCOMP CHORD MODE” buttons, press “POWER” button for turning on.
2. The instrument is set in diagnostic mode and display indicates “Test”.

■ Button check

1. Press “0” button.
2. Display indicates “Console”.
3. Press buttons in the following order

- | | | | |
|----------------------------|-------------------------------|-------------------------------|---------------------------------|
| ① MODE button | ⑮ REGISTRATION buttons D | ⑳ CH6 | ④⑦ Number key – |
| ② RECORD button | ⑯ REGISTRATION buttons E | ㉑ CH7 | ④⑧ Number key 2 |
| ③ SONG button | ⑰ STORE button | ㉒ CH8 | ④⑨ Number key 5 |
| ④ INTRO button | ⑱ DSP (digital effect) button | ㉓ CH9 | ④⑩ Number key 8 |
| ⑤ NORMAL/FILL-IN button | ㉒ CONTRAST button | ㉔ CH10 | ④⑪ Number key 9 |
| ⑥ VARIATION/FILL-IN button | ㉓ FREE SESSION button | ㉕ CH11 | ④⑫ Number key 6 |
| ⑦ SYNCHRO/ENDING button | ㉔ ONE TOUCH PRESET button | ㉖ CH12 | ④⑬ Number key 3 |
| ⑧ START/STOP button | ㉕ MIXER SELECT button | ㉗ CH13 | ④⑭ Number key + |
| ⑨ TEMPO button down | ㉖ CHANNEL button | ㉘ CH14 | ④⑮ Cursor key Up |
| ⑩ TEMPO button up | ㉗ CH1 | ㉙ CH15 | ④⑯ Cursor key Left |
| ⑪ BANK button | ㉘ CH2 | ㉚ CH16 | ④⑰ Cursor key Down |
| ⑫ REGISTRATION buttons A | ㉙ CH3 | ㉛ SPLIT button | ④⑱ Cursor key Right |
| ⑬ REGISTRATION buttons B | ㉚ CH4 | ㉜ LAYER/AUTO HARMONIZE button | ④⑲ ENTER button |
| ⑭ REGISTRATION buttons C | ㉛ CH5 | ㉝ RHYTHM button | ④⑳ DISK button |
| | | ㉞ TONE button | ④㉑ TOUCH RESPONSE button |
| | | ㉟ Number key 7 | ④㉒ TRANSPOSE/TUNING/MIDI button |
| | | ㊱ Number key 4 | ④㉓ SYNTH button |
| | | ㊲ Number key 1 | ④㉔ DEMO button |
| | | ㊳ Number key 0 | |



Display shows the button number to be pressed. When the pressed button functions properly, the instrument emits a verification signal and indicates next button number.

If the button malfunctions, an error alarm sounds and display indicates “Cons ER”.

When wrong button is pressed, the alarm sound is also emitted. In that case, re-press the correct button.

■ Bender check

1. While pitch bender is left untouched, press “-” button.
2. Display indicates “Bender”.
3. If the bender’s center point is adjusted correctly, the instrument emits verification sound. If the center point is improper, an error alarm sounds and display indicates “Bend ER” and the instrument exits from the diagnostic program.
4. Rotate the bender all the way to the upper position.
When the program detects upper most position, it emits verification sound. If wrong direction (toward lower position) of bender rotation is detected, the instrument exits from the diagnostic program after emitting an alarm sound and displaying “Bend ER”.
5. Reset the bender on the center position.
A verification tone sounds.
6. Rotate the bender all the way to the lower position.
When the program detects lower most position, it emits verification sound.
If wrong direction (toward upper position) is detected, the instrument exits from the diagnostic program after emitting an alarm sound and displaying “Bender ER”.
7. Reset the bender on the center position.
The instrument exits from diagnostic program after emitting a verification sound and displaying “Bend OK”. (During and after the check, display indicates bender values until another button is pressed.)

■ AC adaptor detection check.

1. Press “+” button.
2. When the instrument detects that an AC adaptor is plugged in, it indicates “Jack OK” on the display. If it judges that no AC adaptor is inserted (powered by batteries), it indicates “Jack ER” on the display.

■ Keyboard, Sustain pedal, and Modulation switch check

1. Press “1” button.
2. Display indicates “TouchSus”.
In accordance with key, sustain pedal, or module switch depressions, display indicates velocity value (hexadecimal values 01 to 7F), “SUS”, or “Mod”.

■ ROM check

1. Press “2” button.
2. The diagnostic program counts check sums of 8Mbit and 16Mbit ROMs.
3. In accordance with ROMs functions, display indicates;
“ROM OKOK” ----- Both ROMs function normally
“ROM OKER” ----- 8Mbit ROM OK, 16Mbit ROM NG
“ROM EROK” ----- 8Mbit ROM NG, 16Mbit ROM OK
“ROM ERER” ----- Both ROMs are NG

■ RAM check

1. Press “3” button.
2. The program executes write/read test in all the RAM area.
3. When the RAM is proper, display indicates “RAM OK”.
If the RAM malfunctions, “RAM NG” is shown on the display.
4. When the RAM check is executed, other tests become unavailable.
5. Pressing any key performs “Bender reset” transaction described below.

■ Small sound output

1. Press “4” button.
2. The instrument emits a sound in small volume and indicates “MIN” on the display.

■ Medium sound output

1. Press “5” button.
2. The instrument emits a medium volume sound and indicates “MID” on the display.

■ Large sound output

1. Press “6” button.
2. The instrument emits a large volume sound and indicates “MAX” on the display.

■ Large sound left channel output

1. Press “7” button.
2. The instrument emits a large volume sound from the left speaker and indicates “L” on the display.

■ Large sound right channel output

1. Press “8” button.
2. The instrument emits a large volume sound from the right channel and indicates “R” on the display.

■ MIDI IN/OUT test

1. Connect MIDI IN and MIDI OUT terminals with a MIDI cable.
2. Press “9” button.
3. When the MIDI circuit is normal, display indicates “MIDI OK” whereas “MIDI ER” will be shown if the MIDI circuit is abnormal.

■ LCD test

1. Press "CURSOR ←" button.
2. Display indicates "LCD OK".
3. Each pressing of "CURSOR ←" button, displays following patterns in the following order with verification sound.
 - a. Checker on 8 character block : pattern A
 - b. Checker on 8 character block : pattern B
 - c. Checker on pixel block : pattern A
 - d. Checker on pixel block : pattern B
 - e. All dots indication
 - f. Displays each pixel (or dot) block in turn + all dots indication
 - g. Displays each dot in turn + all dots indication

■ LED test

1. Press "CURSOR →" button.
2. Display indicates "LED Test" and LEDs illuminate in the following order with verification sound.
 - a. FULL RANGE CHORD
 - b. FINGERED
 - c. CASIO CHORD
 - d. SONG
 - e. PATTERN
 - f. FREE SESSION
 - g. SYNTH
 - h. DISK

■ FDD test

1. Press "DISK" button.
2. Display indicates "Disk0-9E" (which means numeral key 0 to 9 and ENTER button.)
This test executes floppy disk's write/read test and entering a number selects sectors to be tested. Larger the number, narrower the check area namely, entering 0 checks all the sectors of the disk.
3. Press "ENTER" button to clean the FDD with cleaning disk. Wet type cleaning disk is recommended.

■ To exit from the diagnostic program

Pressing "CURSOR ↓" button sets the instrument in Reset power off state.

If you wish to use the instrument continually after this diagnostic program, perform "System reset" described below.

<Other utilities>

■ Bender reset

Sets bender's center point in initial value.

1. While pressing down "ENTER" and "ACCOMP CHORD MODE" buttons, turn the power on.
2. Display shows "BndReset" indicating that pitch bender's center point is initialized.
3. Perform the "System reset" described below.

■ System reset

1. While pressing down "ENTER" button, turn power on.
2. Display indicates "Reset?".
3. Pressing "+" button initializes the instrument.
Pressing "-" button invalidates system reset.
4. The instrument turns on automatically.

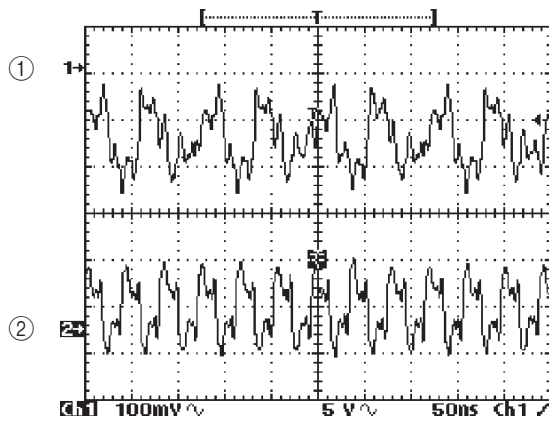
■ Touch off max

1. While pressing down "RHYTHM" and "ACCOMP CHORD MODE" buttons, turn the power on.
2. Display indicates "TouchMax".
3. The instrument is set in touch off max mode.
In this state, sound volume in touch response off mode becomes maximum.

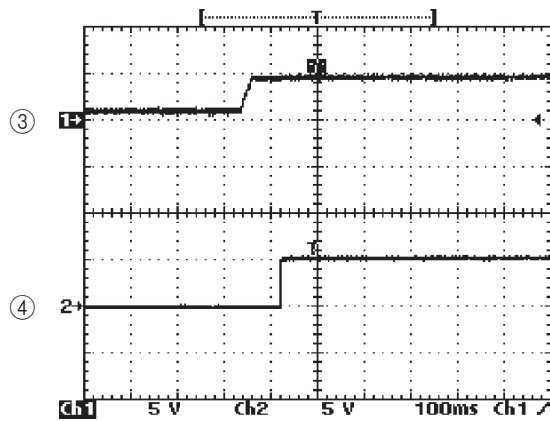
FDD ERROR MESSAGE

Error Message	Reason of Error
<i>Err ReadOnly</i>	The file being written to is read-only.
<i>Err Format</i>	The disk format is not one supported by this keyboard.
<i>Err Disk R/W</i>	Error occurred during reading from the disk.
<i>Err DiskFull</i>	Disk is full.
<i>Err Mem Full</i>	Not enough memory to perform the process. No memory is available to load data.
<i>Err Not SMF0</i>	An attempt was made to play data that is not SMF FORMAT 0.
<i>Err No Disk</i>	An attempt was made to access a disk while no disk is loaded in the drive.
<i>Err No File</i>	There is no file that corresponds to the file that was specified.
<i>Err Protect</i>	A save or delete operation was attempted with a disk that is write protected.
<i>Err Convert</i>	The attempted file conversion was not successful.
<i>Err WrongDat</i>	Something is wrong with the data you are trying to load.

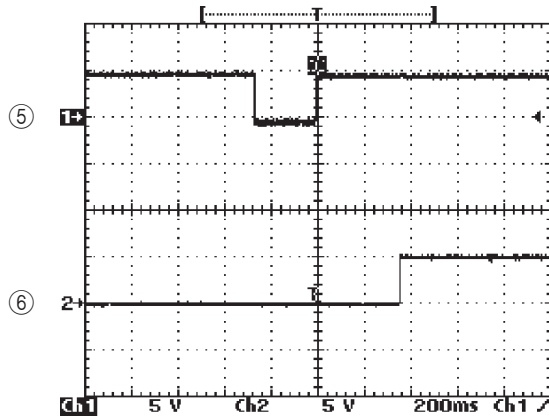
MAJOR WAVEFORMES



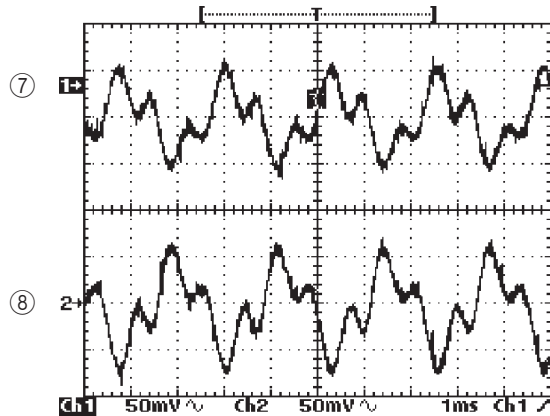
- ① Clock signal for CPU
Check point CP1
- ② Clock signal for DSP
Check point CP2



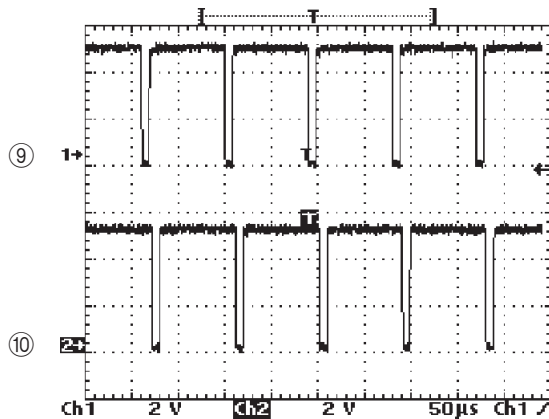
- ③ Voltage VDD
IC3 pin 2
- ④ Reset signal $\overline{\text{RES}}$
IC3 pin 1



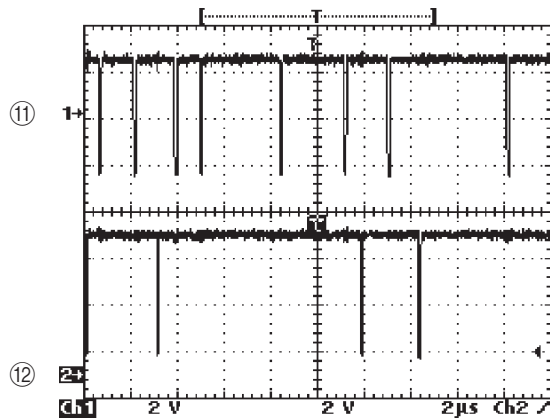
- ⑤ NMI signal
LSI9 pin 64
- ⑥ Reset signal RESB
LSI9 pin 87



- ⑦ Sound signal L-OUT
JC connector pin 10
 - ⑧ Sound signal L-VOL0OUT
JG connector pin 5
- Tone: Clarinet, Volume: Max.
Touch speed: Max., Key: A4



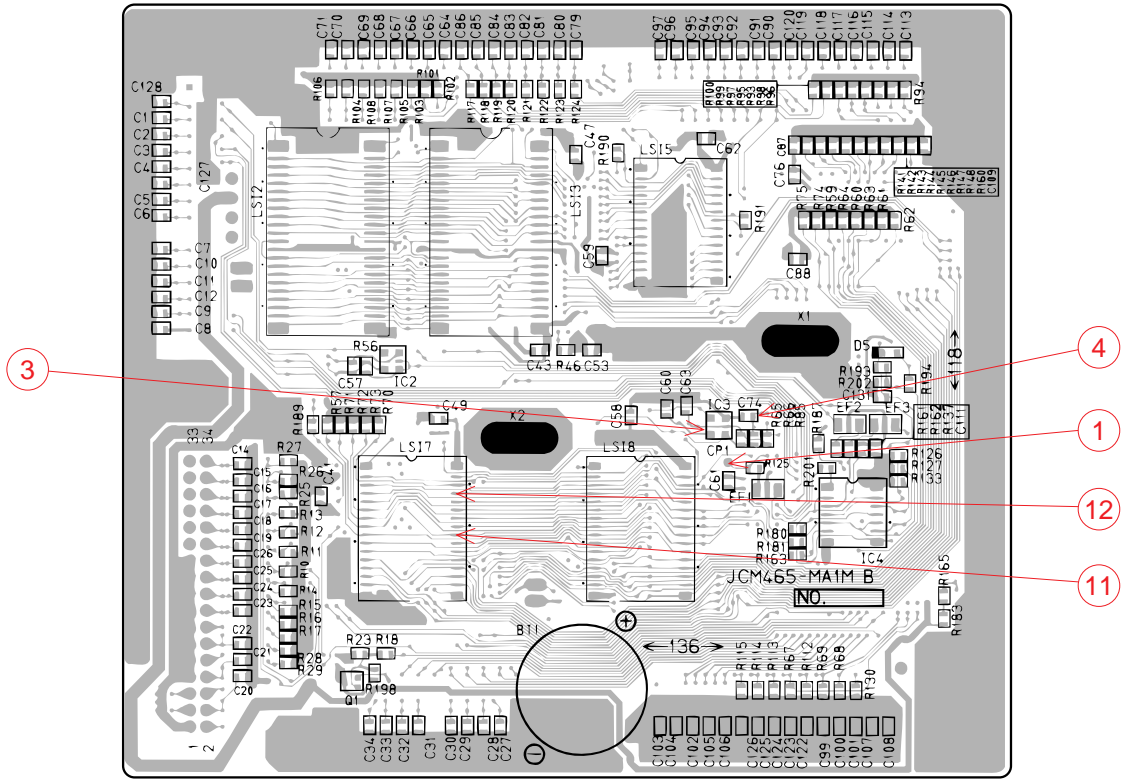
- ⑨ Key common signal KC0
JB connector pin 1
- ⑩ Key common signal KC1
JB connector pin 2



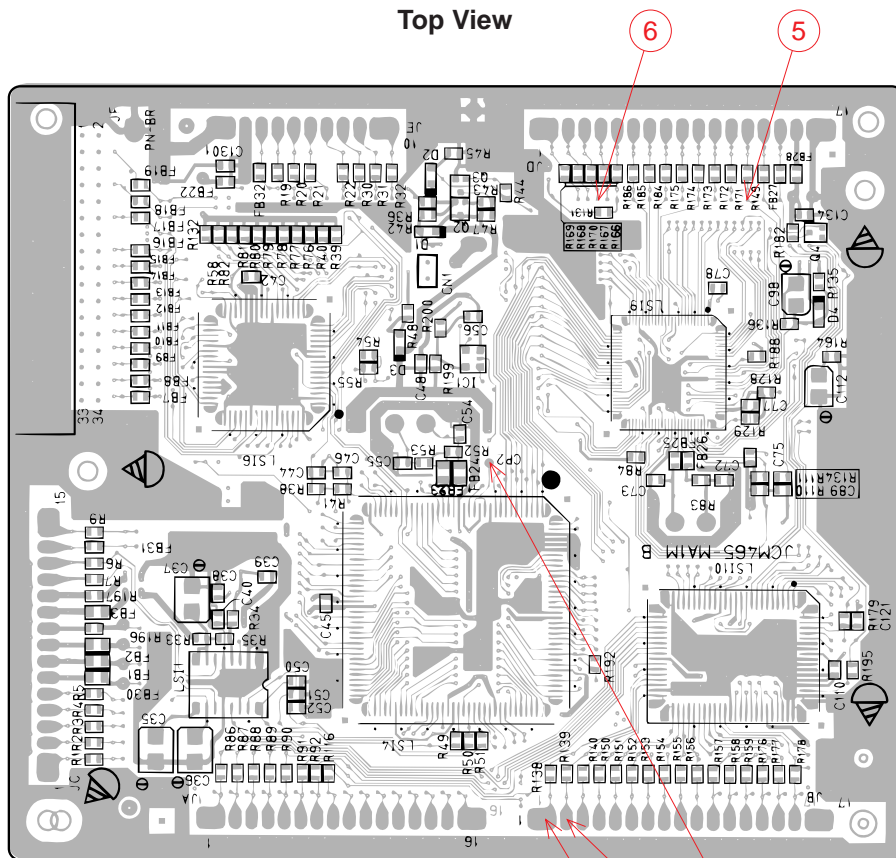
- ⑪ Read signal for RAM1
LSI7 pin 24
- ⑫ Write signal for RAM1
LSI7 pin 29

PRINTED CIRCUIT BOARD

Main PCB JCM465-MA1M

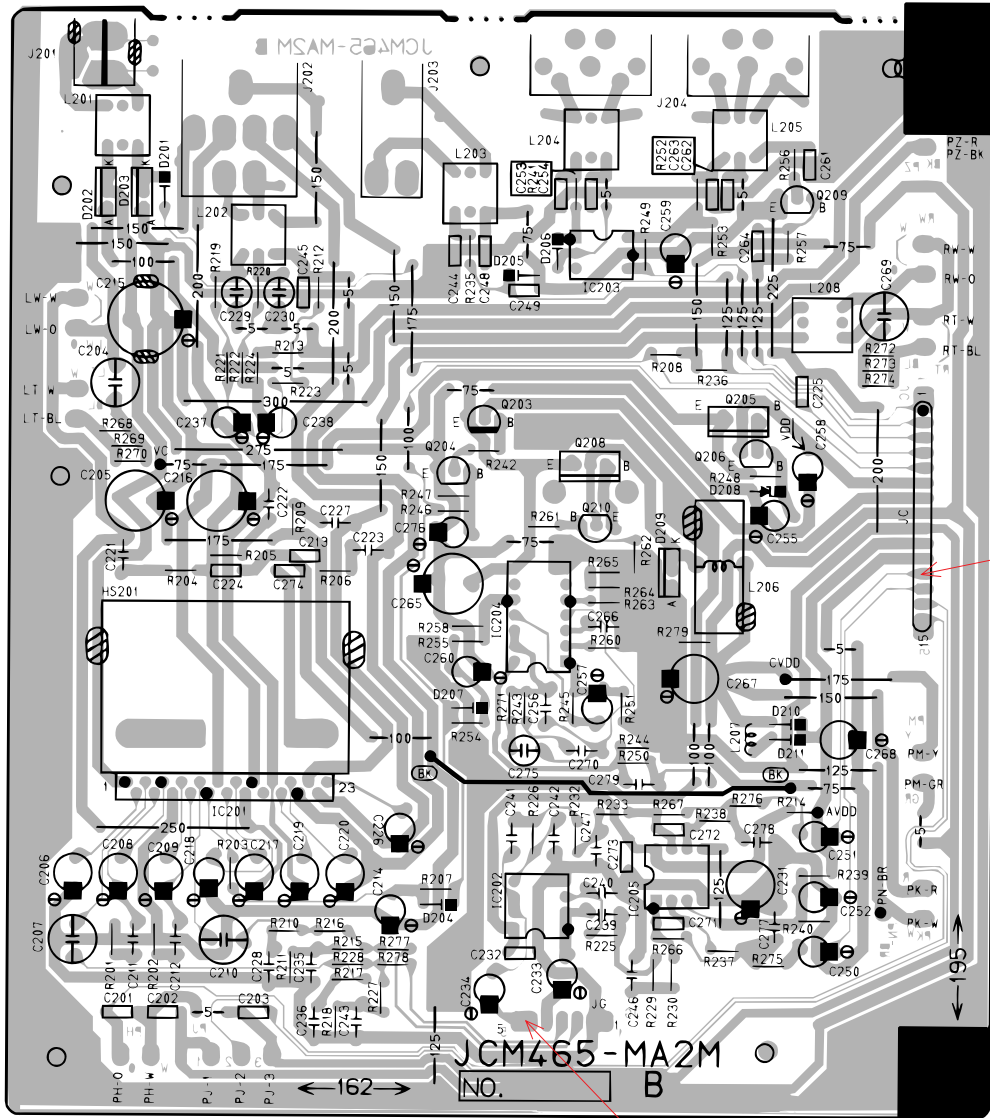


Top View



Bottom View

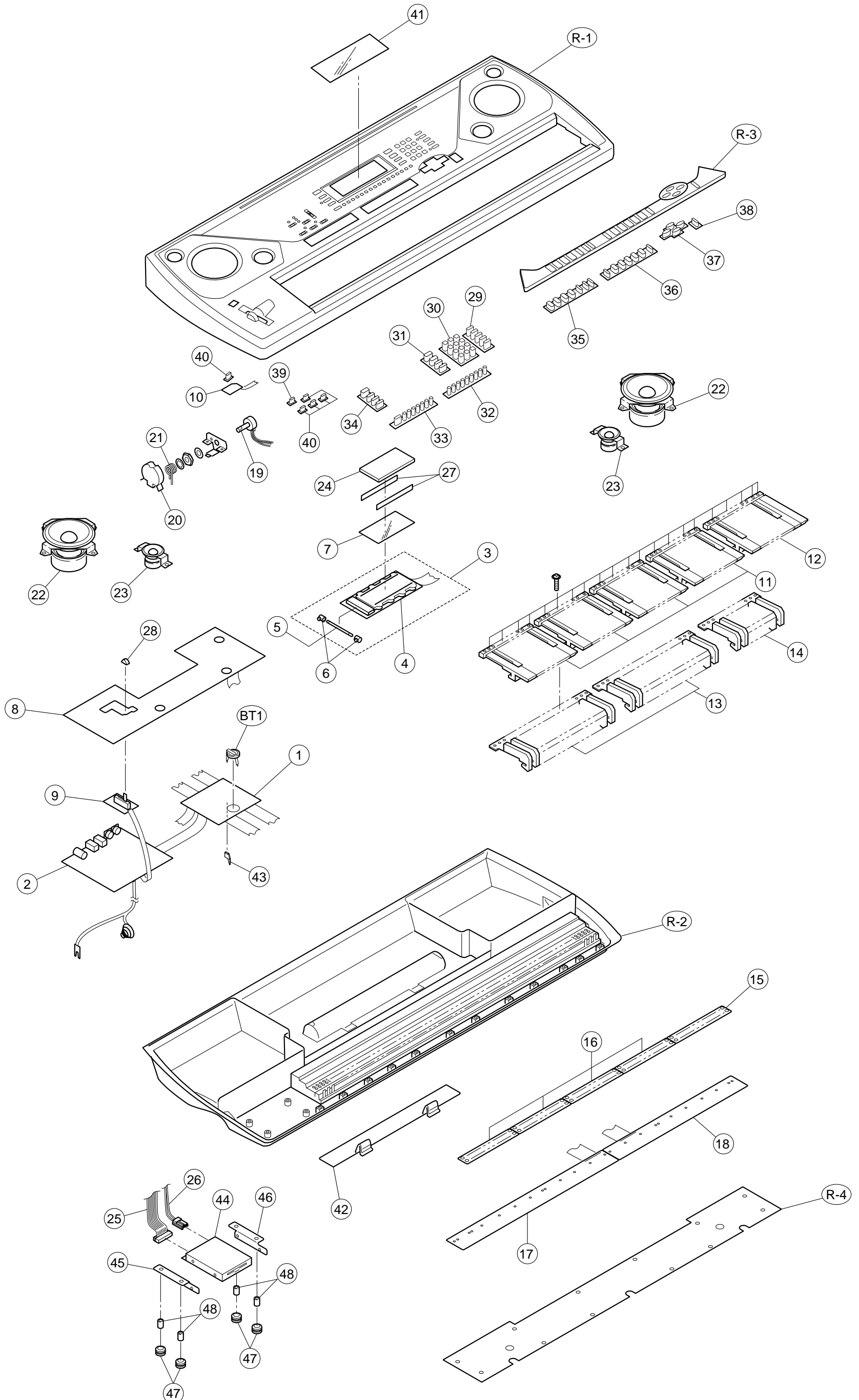
Sub PCB JCM465-MA2M



Top View

8

EXPLODED VIEW



PARTS LIST

Item	Code No.	Parts Name	Specification	Q	R
MA1M PCB					
1	6926 8930	PCB/ASSY (MA1M)	M240837*1	1	A
LSI1	2114 4221	LSI	UPD6376GS-E1	1	A
LSI2	2012 6135	LSI	MX23C8100MC-12CA99	1	A
(LSI2)	(2012 6062)	(LSI)	(MSM27C802CZ-465)	(1)	(A)
LSI3	2012 6064	LSI	MX23C3210MC-12CA89	1	A
LSI4	2011 7434	LSI	HG51B155FD	1	A
LSI5	2012 5572	LSI	TC55257DFL-70L(EL)	1	A
LSI6	2010 9990	LSI	HD63266F	1	A
LSI7/LSI8	2012 5947	LSI	TC551001BFL-70L(EL)	2	A
LSI9	2012 6132	LSI	HD6433042SB51F	1	A
(LSI9)	(2012 6060)	(LSI)	(HD6473042F16-465)	(1)	(A)
LSI10	2012 5987	LSI	TC190C020AF-001	1	A
IC1	2105 1561	IC/CMOS	TC7S04F(TE85R)	1	B
IC2	2105 6355	IC/CMOS	TC7S00F(TE85R)	1	B
IC3	2012 1883	IC/MOS	RN5VD40AA-TR	1	B
IC4	2105 4935	IC/CMOS	TC74VHC08F(TP1)	1	B
Q1,Q3,Q4	2252 1169	TRANSISTOR/CHIP	2SC4081-T106S	1	B
Q2	2250 1169	TRANSISTOR/CHIP	2SA1576A-T106S	1	B
D1,D3,D4	2390 1820	DIODE/CHIP	1SS355TE-17	3	C
D2	2360 3057	DIODE/ZENER/CHIP	UDZTE-173.3B	1	C
X1	2590 2748	OSCILLATOR/CERAMIC	CSA16.00-MXZ243	1	C
X2	2590 2107	OSCILLATOR/CRYSTAL	HC-49S24A	1	C
BT1	3815 0707	BATTERY/LITHIUM	CR2032-1HM	1	A
MA2M PCB					
2	6926 8990	PCB/ASSY (MA2M)	M140750*1	1	B
IC201	2114 1883	IC/MONOLITHIC	LA4620	1	B
IC204	2113 0084	IC/MONOLITHIC	BA9700A	1	B
IC202,205	2114 1799	IC/MONOLITHIC	M5218APR	2	B
IC203	2114 1421	IC/PHOTO COUPLER	PC900V	1	B
Q205	2251 0672	TRANSISTOR	2SB1548-P.CS	1	B
Q204,206,209	2252 0154	TRANSISTOR	2SC1740SS-TP-T	3	B
Q208	2252 1253	TRANSISTOR	2SB1566F	1	B
Q203,210	2250 0133	TRANSISTOR	2SA933SS-TP-T	2	B
D201,204~207, 210	2390 1344	DIODE	1SS133T-77-T	6	C
D208	2360 1085	DIODE/ZENER	HZS6B1LTD-T	1	C
D202,203,209	2390 1463	DIODE/SHOTTKY	SB20-03B	3	C
J201	3501 5012	JACK/DC	HEC2305-01-920	1	C
J202	3612 0665	JACK	YKB21-5006	1	C
J203	3612 0789	JACK	YKB21-5010	1	C
J204	3501 4816	JACK/DIN	YKF51-5051	1	C
L201,203,204, 208	3841 2154	COIL/COMMON MODE	SH-432	4	C
L202,205	3841 2175	COIL/COMMON MODE	SH-S132	2	C
L206	3841 2177	COIL	OH-022Z	1	C
BL ass'y					
3	6926 9030	BL/ASSY	M240682*2	1	A
4	6926 9050	PCB/ASSY (LD1M)	M240838*1	1	A
5	3122 3558	CFL	HMBV26BG1W63N/AZG	1	A
6	5861 3522	HOLDER/CFL	HRB-0256	2	C
7	6925 9490	PLATE/BL	M340602-1	1	C
LSI501	2012 6018	LSI	SED1278F2A	1	A
Q501/502	2253 0710	TRANSISTOR	2SD965-R(TA)	2	B
Q503	2250 0133	TRANSISTOR	2SA933SS-TP-T	1	B

Notes: Q – Quantity per unit
R – Rank

Item	Code No.	Part Name	Specification	Q	R
Q504	2252 0154	TRANSISTOR	2SC1740SS-TP-T	1	B
D501	2360 3056	DIODE/ZENER	HZS6A2LTD-T	1	C
D502	2390 1344	DIODE	1SS133T-77-T	1	C
L501	3841 1197	COIL	LHL08TB101K	1	C
T501	3012 1470	INVERTER TRANS	NT-07	1	B
CN1 ~ CN3 PCBs					
8	6926 9070	PCB/ASSY (CN1M)	M140751*1	1	B
9	6926 9080	PCB/ASSY (CN2M)	M340815*1	1	B
10	6926 9090	PCB/ASSY (CN3M)	M340816*1	1	B
IC301,302	2105 1239	IC/CMOS	TC74HC164AP	2	A
LED301	2370 1383	LED	TLR124(TPJ56,KT)	1	C
LED302~309	2370 1403	LED	TLG124A(TPJ56)	8	C
VR301	2765 2178	VOLUME/SLIDE	EWASC2C95B23	1	B
Keyboard					
11	6922 2720	KEY SET/LT WHITE	M312118*1	4	A
12	6922 2730	KEY SET/LT WHITE	M312118*2	1	A
13	6906 8482	KEY SET/LS BLACK	M140369B-3	2	A
14	6906 8592	KEY SET/LS BLACK	M140369B-4	1	A
15	6926 2500	RUBBER/KEY	M240699-2	4	B
16	6926 2510	RUBBER/KEY	M240700-2	1	B
17	6926 9130	PCB/ASSY (KY1M)	M140687*2	1	B
18	6926 9140	PCB/ASSY (KY2M)	M140688*2	1	B
Bender					
19	2765 1141	VOLUME	RK1631110-50KB	1	B
20	6926 9450	KNOB/BENDER	M340796-1	1	B
21	6926 9460	SPRING/BENDER	M440654-1	1	C
Panel					
22	3831 1081	SPEAKER	S12J85A	2	B
23	3831 1082	SPEAKER	S05JH39A	2	B
24	3335 6728	LCD	LD-B10294E	1	A
25	3502 2446	CONNECTOR/24P	RA-34P-900-M465	1	X
26	3502 2447	CONNECTOR/2P	AMP-2P-720-M465	1	X
27	6926 2540	CONNECTOR/FOR LCD	M440459-2	2	C
28	6921 5030	KNOB/SLIDE	M311859-1	2	B
29	6926 9280	RUBBER/BUTTON	M240800-1	1	B
30	6926 9290	RUBBER/BUTTON	M240801-1	1	B
31	6926 9300	RUBBER/BUTTON	M240802-1	1	B
32	6926 9310	RUBBER/BUTTON	M240803-1	1	B
33	6926 9320	RUBBER/BUTTON	M240804-1	1	B
34	6926 9330	RUBBER/BUTTON	M240805-1	2	B
35	6926 9340	RUBBER/BUTTON	M140720-1	1	B
36	6926 9350	RUBBER/BUTTON	M240807-1	1	B
37	6926 9360	RUBBER/BUTTON	M240808-1	1	B
38	6926 9370	RUBBER/BUTTON	M340788-1	1	B
39	6925 9380	RUBBER/BUTTON	M240641-1	1	B
40	6925 9410	RUBBER/BUTTON	M240640-1	1	B
41	6926 9240	PLATE/DISPLAY	M240813-1	1	C
42	6918 1630	COVER/BATTERY	M311164*1	1	B
43	3502 2318	CONNECTOR/LITHIUM BATT.	MLES-A60-T	1	C
44	1015 1399	FDD UNIT	DF354H064A	1	A
45	6926 9400	PLATE/FDD	M340792-1	1	X
46	6926 9410	PLATE/FDD	M340793-1	1	X
47	6926 9420	RUBBER/DAMPER	M440598-2	4	X
48	6926 9431	SPACER	M440597A-1	4	X

Notes: Q – Quantity per unit
R – Rank

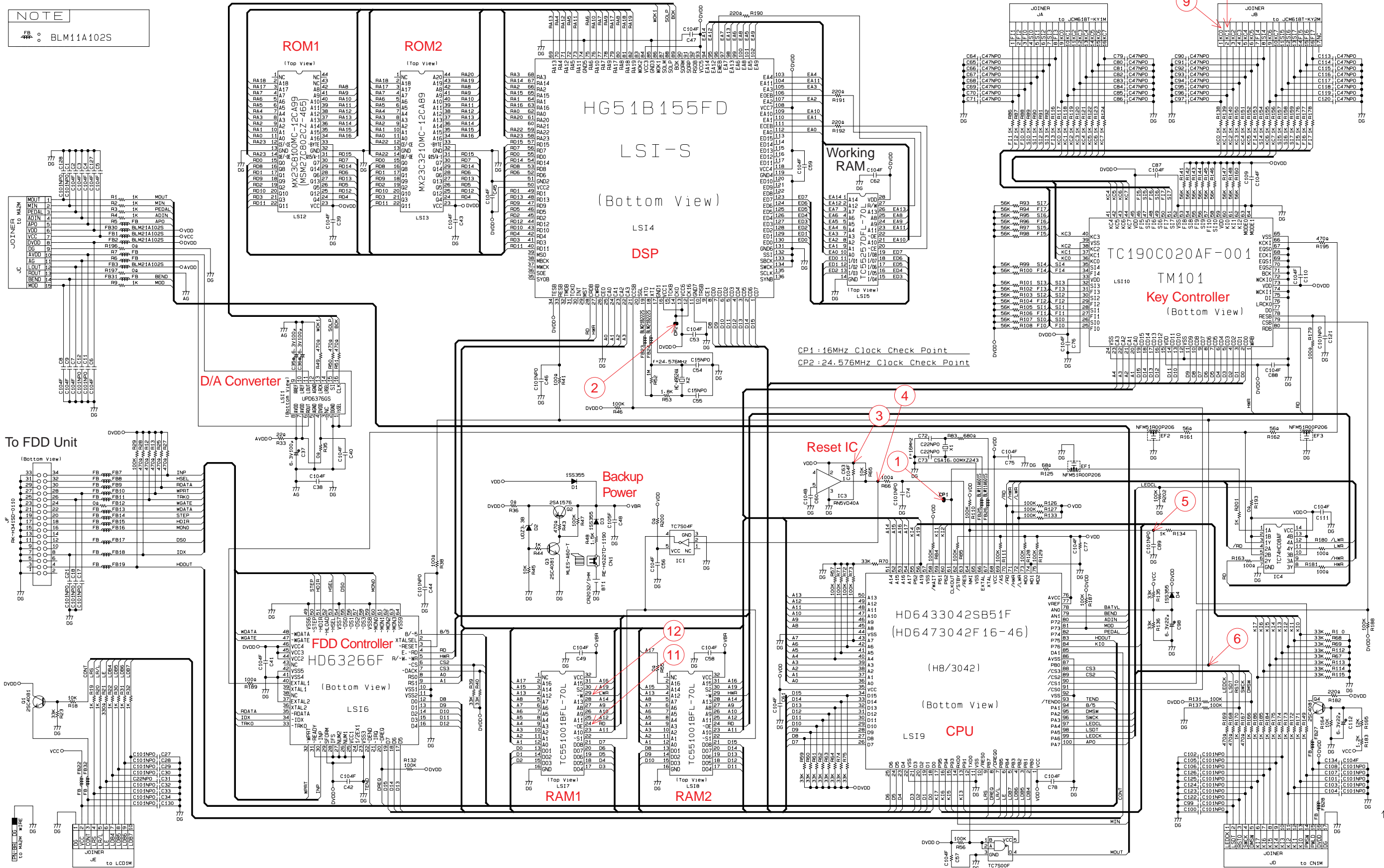
Item	Code No.	Part Name	Specification	Q	R
Accessory					
	6926 9540	STAND/MUSIC	M140744-1	1	C
	6926 9210	DISK/FLOPPY	811FD-PRG	1	X
	6926 9220	DISK/FLOPPY (Others)	811FD-SMP-1	1	X
	6926 9230	DISK/FLOPPY (USA,CANADA only)	811FD-SMP-2	1	X

Notes: Q – Quantity per unit
R – Rank

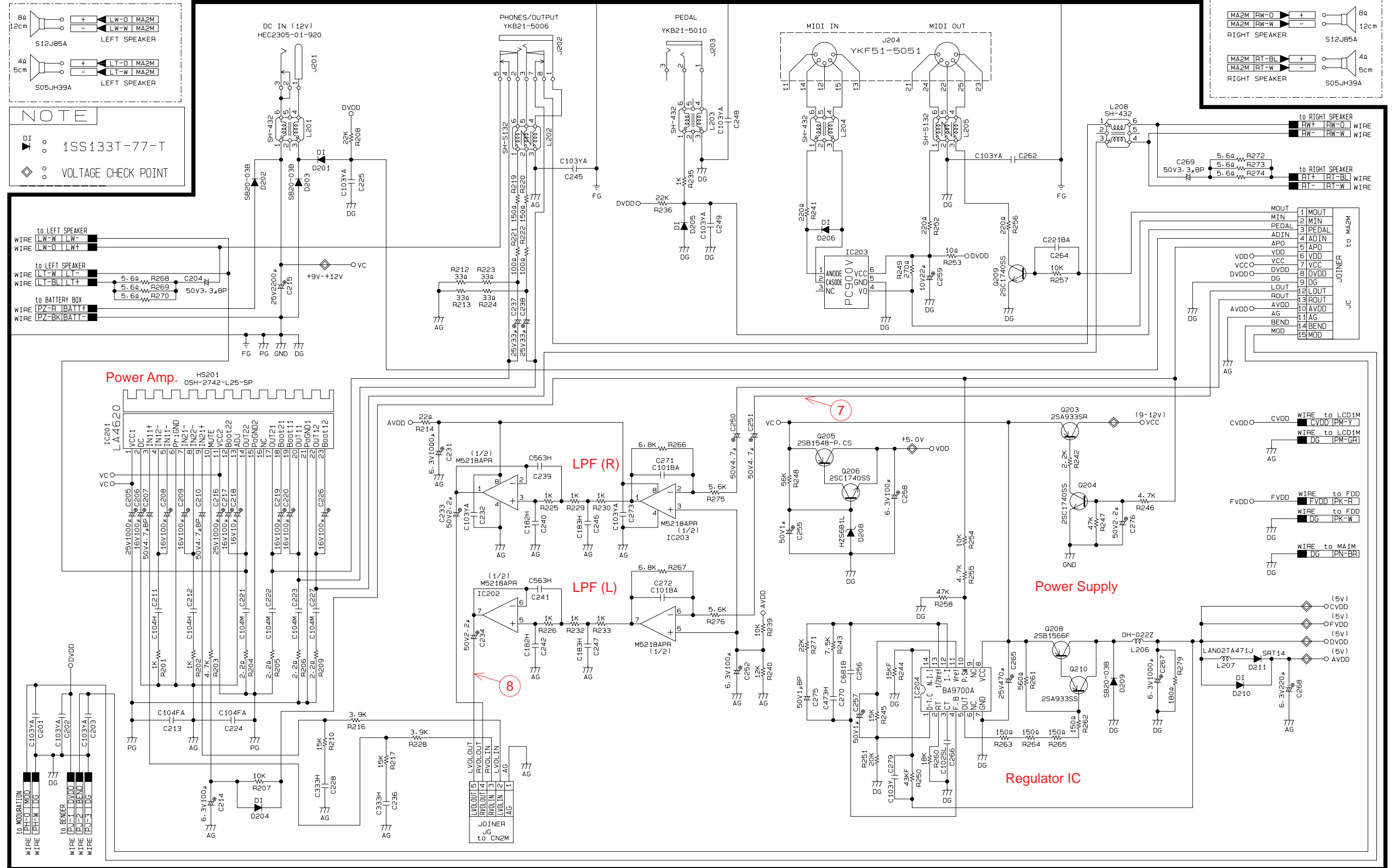
SCHEMATIC DIAGRAMS

MainPCB JCM465-MA1M

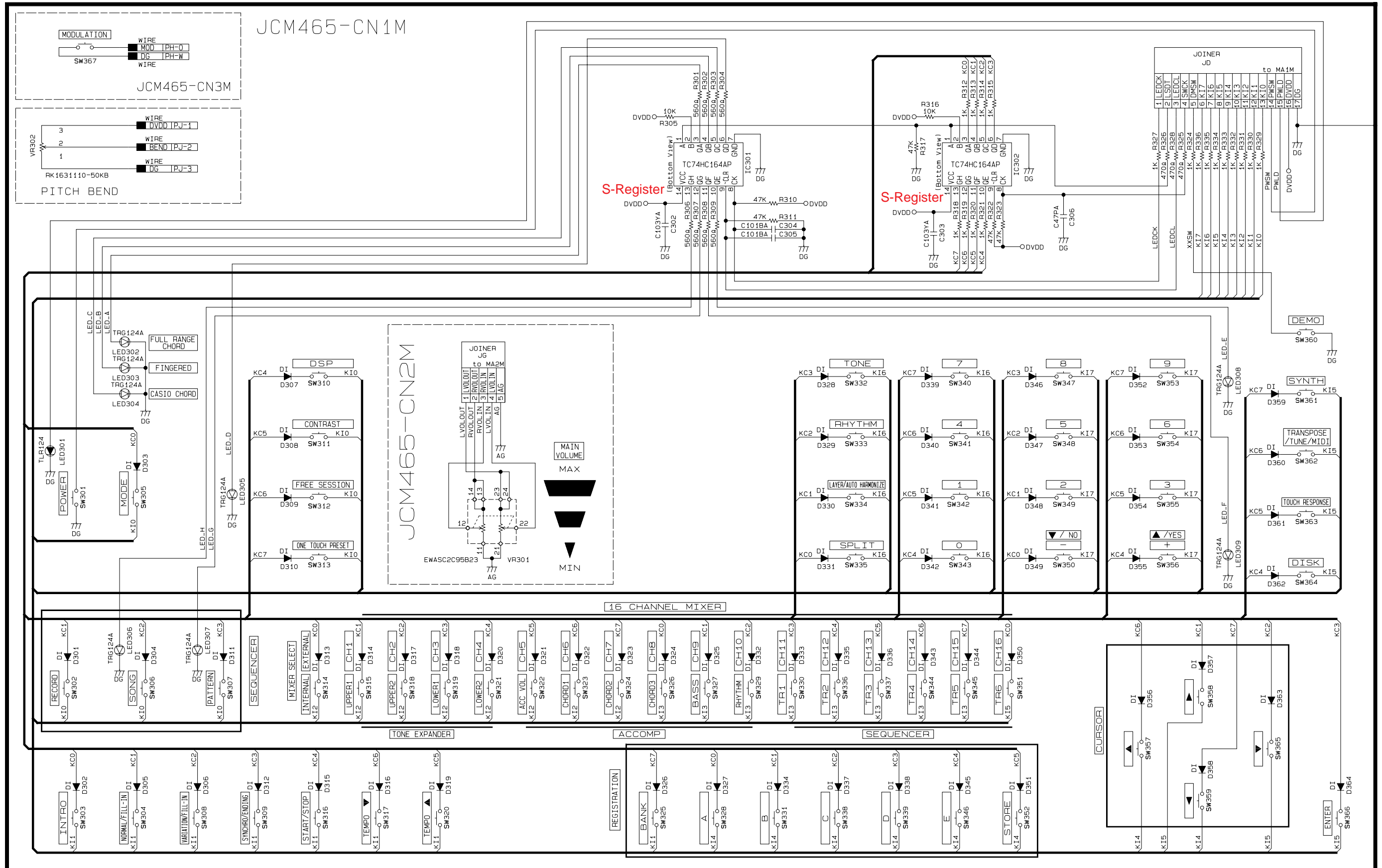
NOTE
 FB BLM11A102S



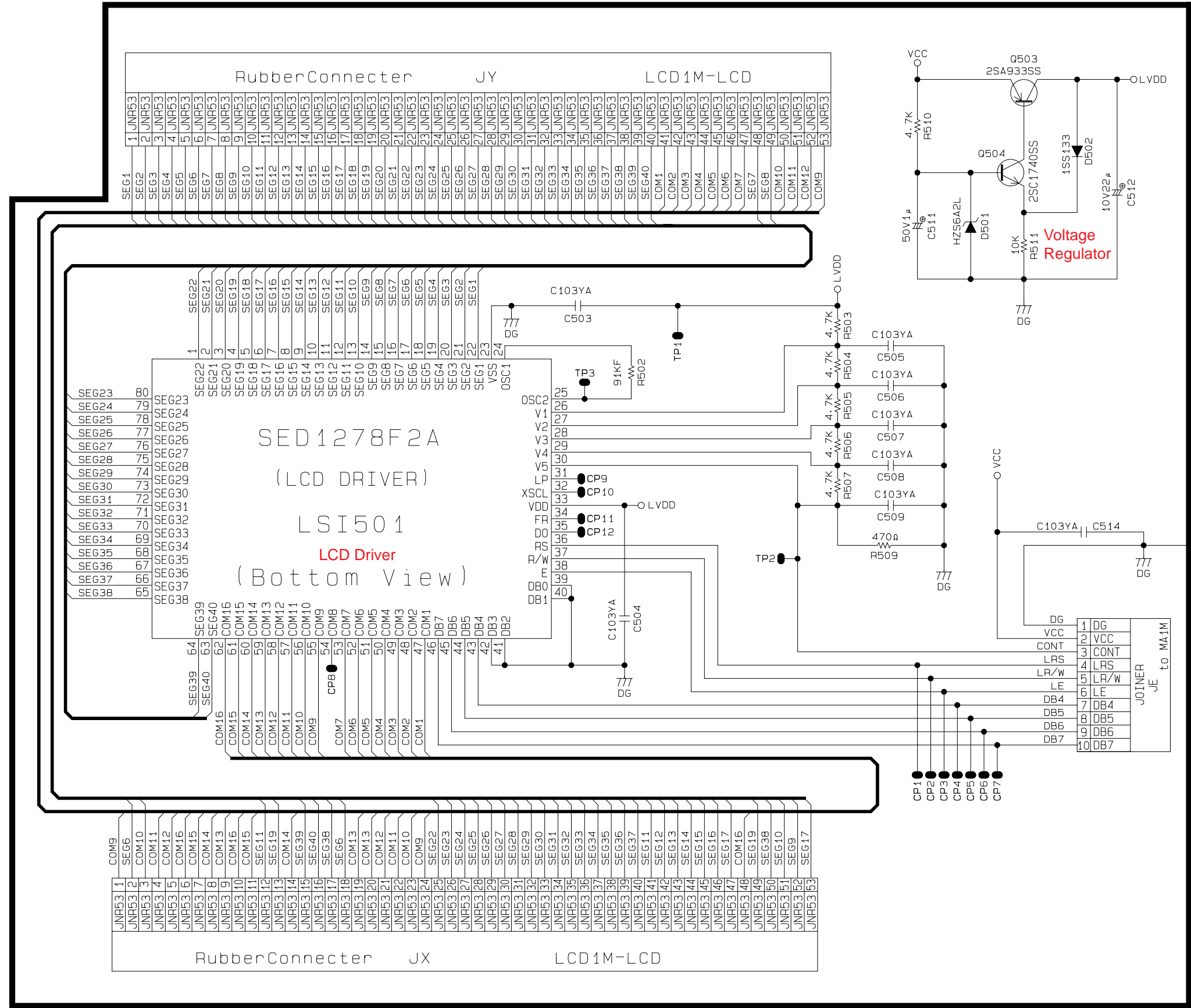
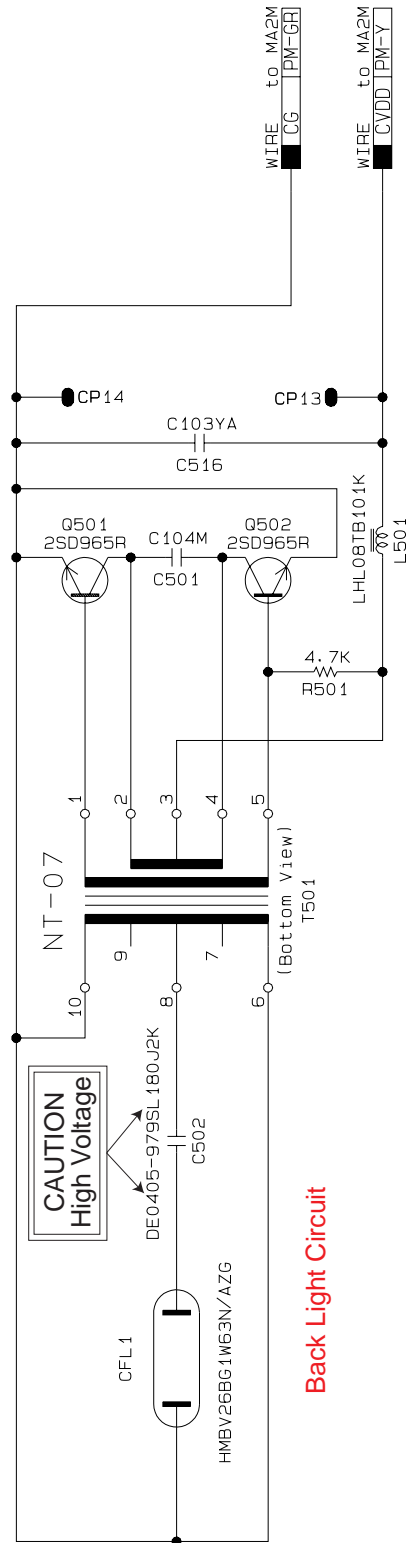
SubPCB JCM465-MA2M



Console PCBs JCM465-CN1M/CN2M/CN3M



LCD Driver PCB JCM465-LCD1M



Keyboard PCBs JCM618T-KY1M/KY2M

NOTE

▶_{PI} ∅ 1S2473T-77-T
(1SS133T-77-T)

JCM618T-KY1M

JA
JOINER

1	FI1
2	FI2
3	FI0
4	FI0
5	SI1
6	SI2
7	SI3
8	FI3
9	KC0
10	KC1
11	KC2
12	KC3
13	KC4
14	KC5
15	KC6
16	KC7

KC0	D501	DI	SW501	C2	FI0
KC0	D502	DI	SW502	C2	SI0
KC1	D503	DI	SW503	C2#	FI0
KC1	D504	DI	SW504	C2	SI0
KC2	D505	DI	SW505	D2	FI0
KC2	D506	DI	SW506	D2	SI0
KC3	D507	DI	SW507	D2#	FI0
KC3	D508	DI	SW508	D2	SI0
KC4	D509	DI	SW509	E2	FI0
KC4	D510	DI	SW510	E2	SI0
KC5	D511	DI	SW511	F2	FI0
KC5	D512	DI	SW512	F2	SI0
KC6	D513	DI	SW513	F2#	FI0
KC6	D514	DI	SW514	F2	SI0
KC7	D515	DI	SW515	G2	FI0
KC7	D516	DI	SW516	G2	SI0
KC0	D517	DI	SW517	G2#	FI1
KC0	D518	DI	SW518	G2	SI1
KC1	D519	DI	SW519	A2	FI1
KC1	D520	DI	SW520	A2	SI1
KC2	D521	DI	SW521	A2#	FI1
KC2	D522	DI	SW522	A2	SI1
KC3	D523	DI	SW523	B2	FI1
KC3	D524	DI	SW524	B2	SI1
KC4	D525	DI	SW525	C3	FI1
KC4	D526	DI	SW526	C3	SI1
KC5	D527	DI	SW527	C3#	FI1
KC5	D528	DI	SW528	C3	SI1
KC6	D529	DI	SW529	D3	FI1
KC6	D530	DI	SW530	D3	SI1
KC7	D531	DI	SW531	D3#	FI1
KC7	D532	DI	SW532	D3	SI1
KC0	D533	DI	SW533	E3	FI2
KC0	D534	DI	SW534	E3	SI2
KC1	D535	DI	SW535	F3	FI2
KC1	D536	DI	SW536	F3	SI2
KC2	D537	DI	SW537	F3#	FI2
KC2	D538	DI	SW538	F3	SI2
KC3	D539	DI	SW539	G3	FI2
KC3	D540	DI	SW540	G3	SI2
KC4	D541	DI	SW541	G3#	FI2
KC4	D542	DI	SW542	G3	SI2
KC5	D543	DI	SW543	A3	FI2
KC5	D544	DI	SW544	A3	SI2
KC6	D545	DI	SW545	A3#	FI2
KC6	D546	DI	SW546	A3	SI2
KC7	D547	DI	SW547	B3	FI2
KC7	D548	DI	SW548	B3	SI2
KC0	D549	DI	SW549	C4	FI3
KC0	D550	DI	SW550	C4	SI3
KC1	D551	DI	SW551	C4#	FI3
KC1	D552	DI	SW552	C4	SI3
KC2	D553	DI	SW553	D4	FI3
KC2	D554	DI	SW554	D4	SI3
KC3	D555	DI	SW555	D4#	FI3
KC3	D556	DI	SW556	D4	SI3
KC4	D557	DI	SW557	E4	FI3
KC4	D558	DI	SW558	E4	SI3
KC5	D559	DI	SW559	F4	FI3
KC5	D560	DI	SW560	F4	SI3
KC6	D561	DI	SW561	F4#	FI3
KC6	D562	DI	SW562	F4	SI3
KC7	D563	DI	SW563	G4	FI3
KC7	D564	DI	SW564	G4	SI3

C2
C2#
D2
D2#
E2
F2
F2#
G2
G2#
A2
A2#
B2
C3
C3#
D3
D3#
E3
F3
F3#
G3
G3#
A3
A3#
B3
C4
C4#
D4
D4#
E4
F4
F4#
G4

JCM618T-KY2M

JB
JOINER

1	KC0
2	KC1
3	KC2
4	KC3
5	KC4
6	KC5
7	FI4
8	SI4
9	KC6
10	KC7
11	SI5
12	SI6
13	SI7
14	FI5
15	FI6
16	FI7
17	NC

KC0	D565	DI	SW565	G4#	FI4
KC0	D566	DI	SW566	G4	SI4
KC1	D567	DI	SW567	A4	FI4
KC1	D568	DI	SW568	A4	SI4
KC2	D569	DI	SW569	A4#	FI4
KC2	D570	DI	SW570	A4	SI4
KC3	D571	DI	SW571	B4	FI4
KC3	D572	DI	SW572	B4	SI4
KC4	D573	DI	SW573	C5	FI4
KC4	D574	DI	SW574	C5	SI4
KC5	D575	DI	SW575	C5#	FI4
KC5	D576	DI	SW576	C5	SI4
KC6	D577	DI	SW577	D5	FI4
KC6	D578	DI	SW578	D5	SI4
KC7	D579	DI	SW579	D5#	FI4
KC7	D580	DI	SW580	D5	SI4
KC0	D581	DI	SW581	E5	FI5
KC0	D582	DI	SW582	E5	SI5
KC1	D583	DI	SW583	F5	FI5
KC1	D584	DI	SW584	F5	SI5
KC2	D585	DI	SW585	F5#	FI5
KC2	D586	DI	SW586	F5	SI5
KC3	D587	DI	SW587	G5	FI5
KC3	D588	DI	SW588	G5	SI5
KC4	D589	DI	SW589	G5#	FI5
KC4	D590	DI	SW590	G5	SI5
KC5	D591	DI	SW591	A5	FI5
KC5	D592	DI	SW592	A5	SI5
KC6	D593	DI	SW593	A5#	FI5
KC6	D594	DI	SW594	A5	SI5
KC7	D595	DI	SW595	B5	FI5
KC7	D596	DI	SW596	B5	SI5
KC0	D597	DI	SW597	C6	FI6
KC0	D598	DI	SW598	C6	SI6
KC1	D599	DI	SW599	C6#	FI6
KC1	D600	DI	SW600	C6	SI6
KC2	D601	DI	SW601	D6	FI6
KC2	D602	DI	SW602	D6	SI6
KC3	D603	DI	SW603	D6#	FI6
KC3	D604	DI	SW604	D6	SI6
KC4	D605	DI	SW605	E6	FI6
KC4	D606	DI	SW606	E6	SI6
KC5	D607	DI	SW607	F6	FI6
KC5	D608	DI	SW608	F6	SI6
KC6	D609	DI	SW609	F6#	FI6
KC6	D610	DI	SW610	F6	SI6
KC7	D611	DI	SW611	G6	FI6
KC7	D612	DI	SW612	G6	SI6
KC0	D613	DI	SW613	G6#	FI7
KC0	D614	DI	SW614	G6	SI7
KC1	D615	DI	SW615	A6	FI7
KC1	D616	DI	SW616	A6	SI7
KC2	D617	DI	SW617	A6#	FI7
KC2	D618	DI	SW618	A6	SI7
KC3	D619	DI	SW619	B6	FI7
KC3	D620	DI	SW620	B6	SI7
KC4	D621	DI	SW621	C7	FI7
KC4	D622	DI	SW622	C7	SI7

G4#
A4
A4#
B4
C5
C5#
D5
D5#
E5
F5
F5#
G5
G5#
A5
A5#
B5
C6
C6#
D6
D6#
E6
F6
F6#
G6
G6#
A6
A6#
B6
C7

CASIO TECHNO CO.,LTD.
Overseas Service Division

8-11-10, Nishi-Shinjuku
Shinjuku-ku, Tokyo 160-0023, Japan