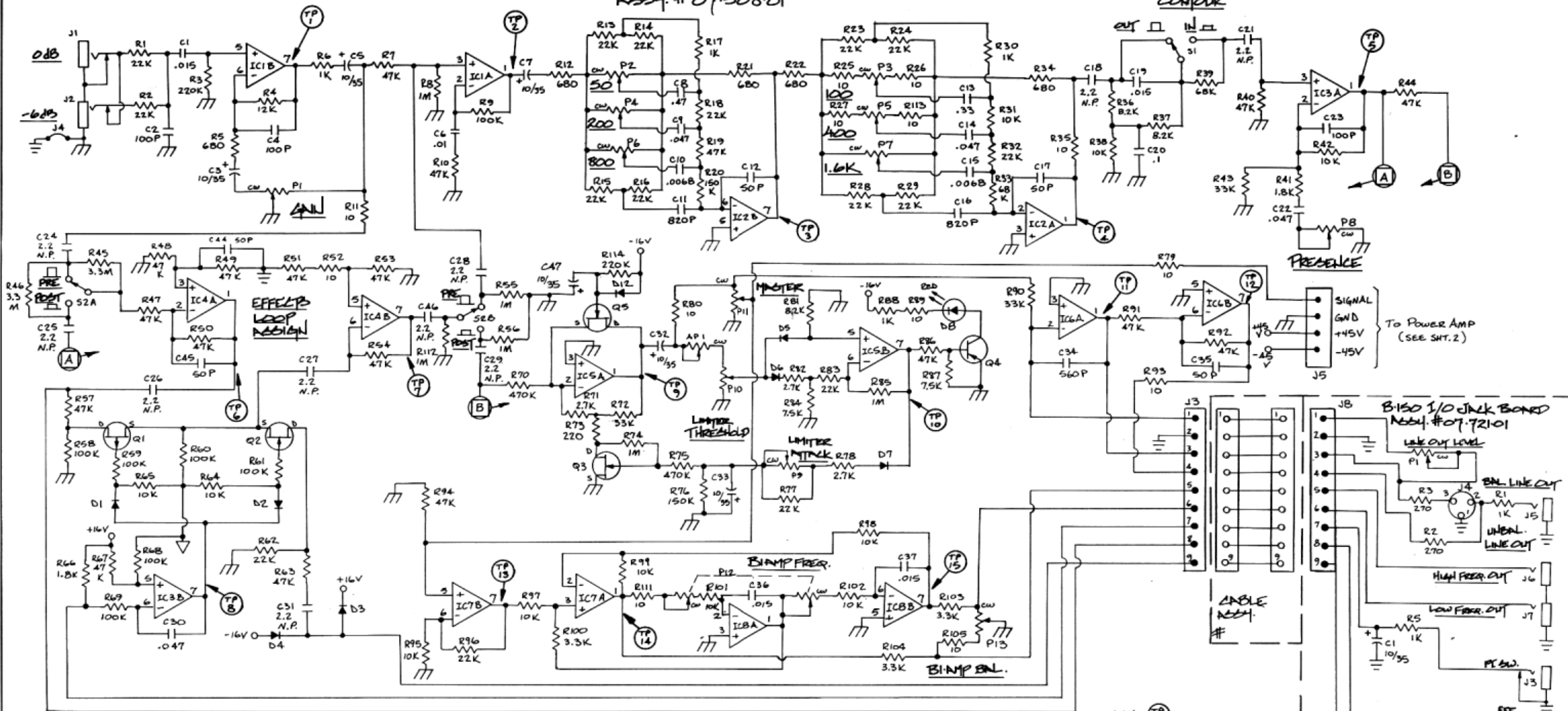


B-150 PREAMPLIFIER P.C. BOARD MSH.#07-508-01



NOTES:

- Unless otherwise specified, all resistors are in Ohms, k w. 3%. Unless otherwise specified all capacitors are in microfarads, & have a 100V rating and 1UF and above are 50V rating.
- Typical IC1 & 2, Pin4=-15V, Pin8=+15V; IC3-8 Pin4=-16V, Pin8=+16V.

3) Measurements at test points are made with a 1 Megohm input oscilloscope.

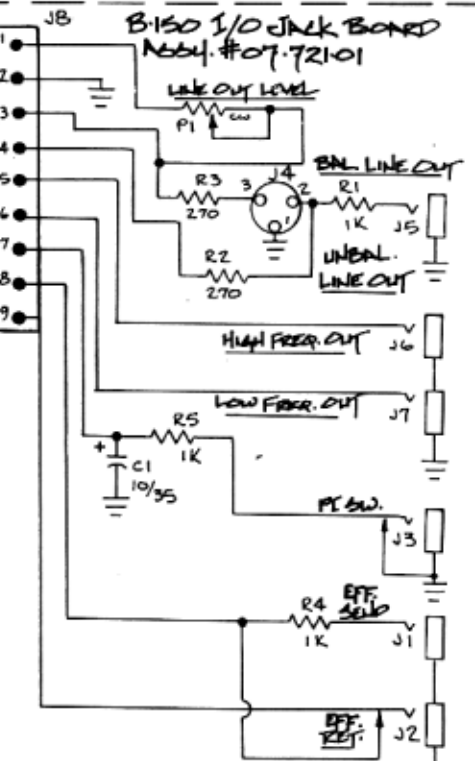
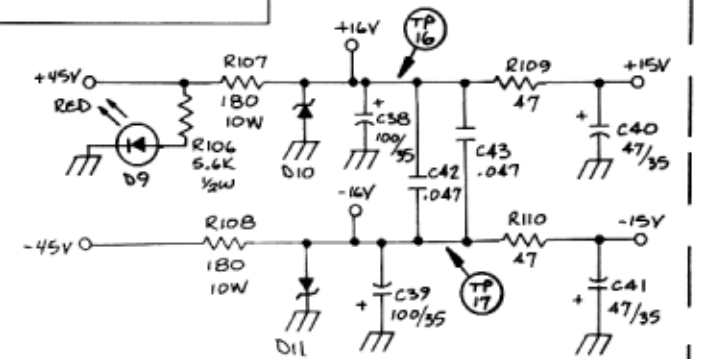
4) Conditions as follows: 0 dB input, Gain and Master at "10", EQ Flat, Presence at "0", Contour out, Effects loop assign at "Pre", Limiter Threshold at "0".

TEST POINT	100mV P-P 1KHZ INPUT	0.4VP-P 1KHZ IN**
1	1.7 VP-P	0 VDC
2-4	5.1 VP-P	2.5 VP-P
5	3 VP-P	15 VP-P
6,7	1.7 VP-P	8.5 VP-P
8	15 VDC	
9	2.2 VP-P	2 VP-P
10	0 VP-P	
11,12	3 VP-P	2.7 VP-P
13	6.8 VP-P	6.2 VP-P
14,15	*	*
16	16 VDC	16 VDC
17	-16 VDC	-16 VDC

* Unity gain from preamp output through respective pass-bands (output depends on input frequency and bi-amp frequency setting).

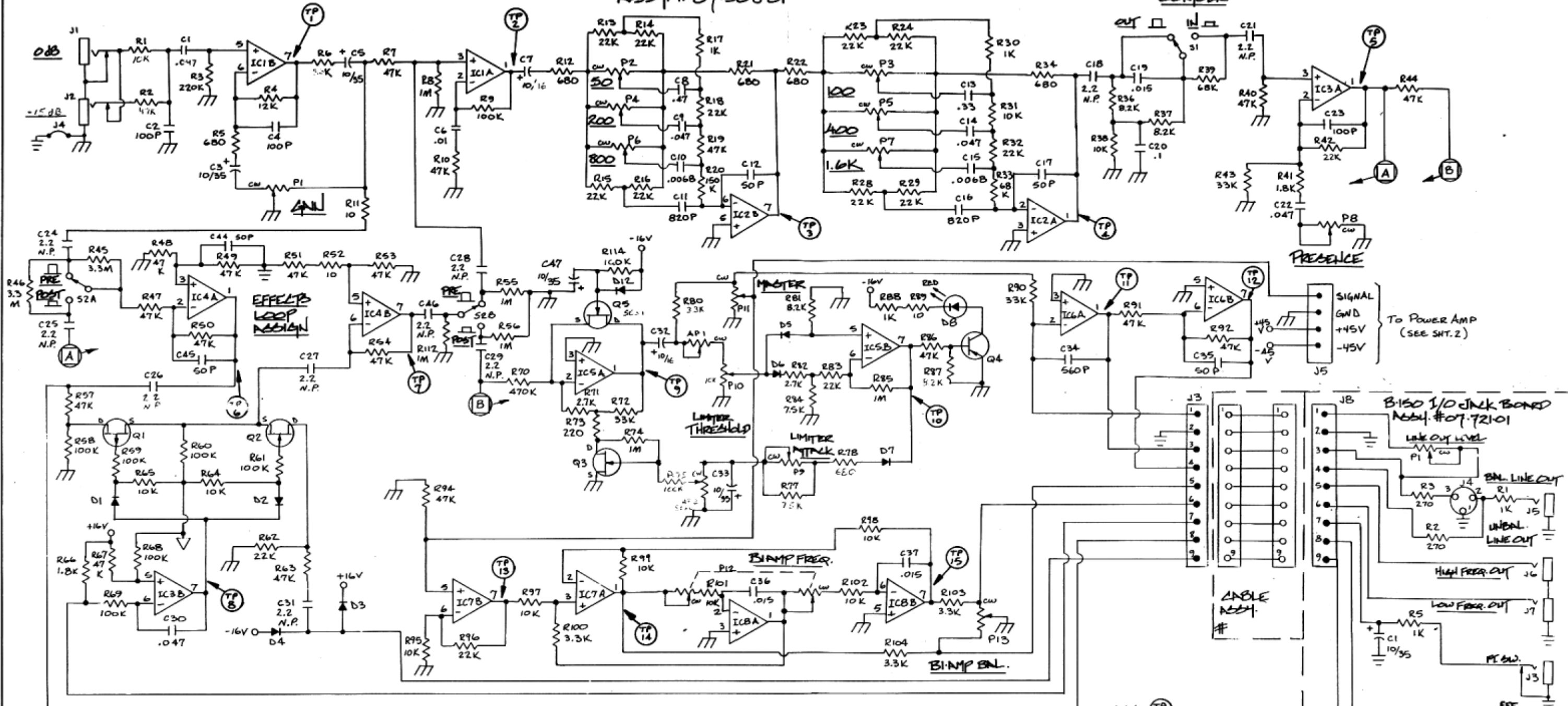
** Limiter threshold at "10", attack time at "fast".

PART	Description	Part#	PART	Description	Part Number
D1-7	1M914	21-914-01	J1	1/2" Jack	39-116-01
D8,9	RED LED	97-224-01	J2	1/2" Jack	39-116-01
D10,11	1N	21-553-01	J3	9PIN HDR	17-310-09
D12	1M914	21-914-01	J4	CHD I/O	17-500-01
P1	50KRA	70-503-23	J5	4PIN POL HDR	17-309-04
P2-7	50KL	70-133-01	SW1	DPDT	88-301-01
P8	50KRA	70-503-23	SW2	DPDT	88-301-01
P9	10KL	70-132-01	IC1-4	UAA558	37-458-01
P10	50KL	70-133-01	IC5	NE5532	37-532-01
P11	10KA	70-103-22	IC6-8	UAA558	37-458-01
P12	100K Dual RA	70-104-26			
P13	10KL w/DET.	70-103-24			
AP1	10KL	71-103-02	I/O JACK BOARD		
Q1	2N5460	96-560-01	P1	50KL	70-503-41
Q2	2N5638	96-538-01	J1-3	112APC	39-012-01
Q3	2N5638	96-538-01	J4	Male Conn	39-306-01
Q4	2N5087	96-587-01	J5-7	112APC	39-012-01
Q5	2N5638	96-538-01	J8	9 PIN HDR	17-321-09



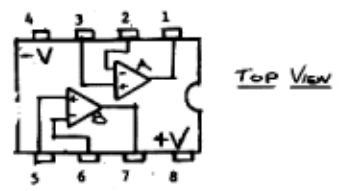
B-150 PREAMPLIFIER P.C. BOARD

MS# #07.508-01



NOTES:

- Unless otherwise specified, all resistors are in Ohms, & w. 5%. Unless otherwise specified all capacitors are in microfarads.
- Typical IC1 & 2, Pin4=-15V, Pin8=-12V; IC3 & 8 Pin4=-16V, Pin8=-16V.

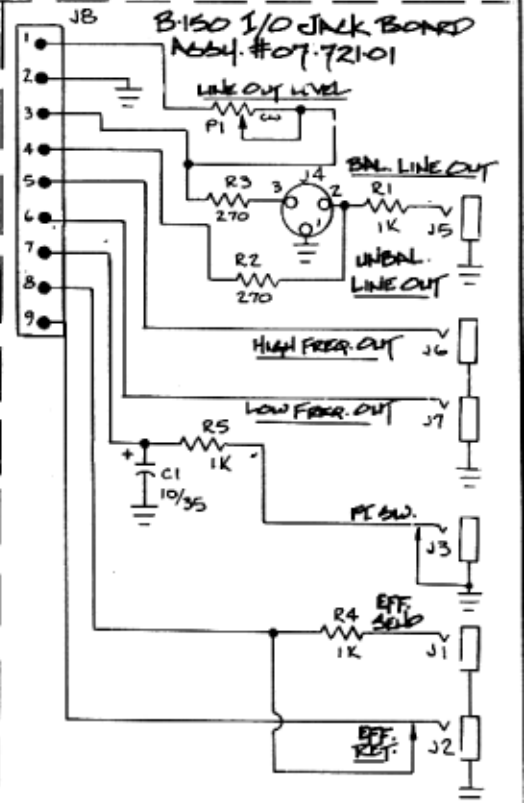
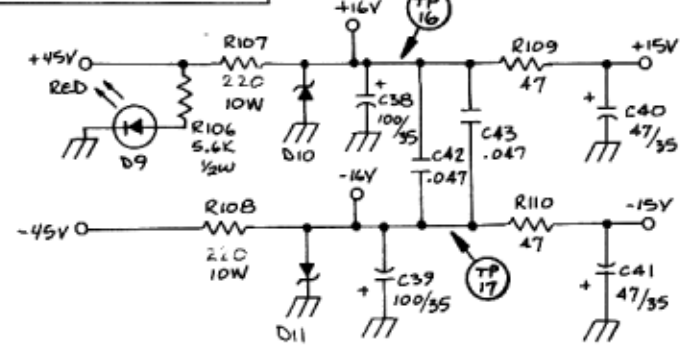


TEST POINT	100mV P-P 1KHZ INPUT	0.4V P-P 1KHZ IN**
1	1.7 V P-P	0 V DC
2-4	5.1 V P-P	2.5 V P-P
5	3 V P-P	1.5 V P-P
6,7	1.7 V P-P	0.5 V P-P
8	15 V DC	
9	2.2 V P-P	2 V P-P
10	0 V P-P	
11,12	3 V P-P	2.7 V P-P
13	6.8 V P-P	6.2 V P-P
14,15	*	*
16	16 V DC	16 V DC
17	-16 V DC	-16 V DC

* Unity gain from preamp output through respective pass-bands (output depends on input frequency and bi-amp frequency setting).

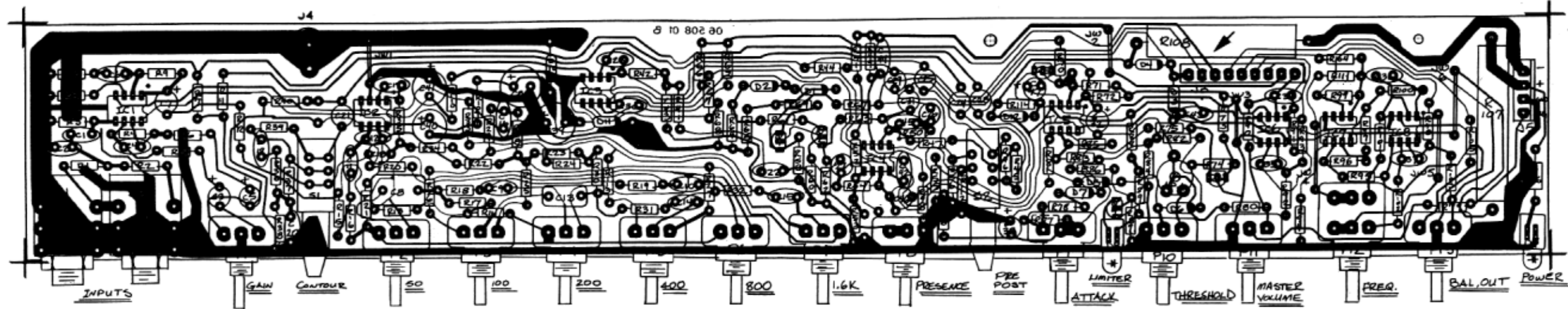
** Limiter threshold at "10", attack time at "fast".

PART	DESCRIPTION	PART#	DESCRIPTION	PART NUMBER
D1-7	1N914	21A914-01	J1	4" Jack
D8,9	RED LED	97-224-01	J2	4" Jack
D10,11	1N	21-553-01	J3	9PIN HDR
D12	1N914	21A914-01	J4	GND LUG
			J5	4PIN POL HDR
P1	50KRA	70-503-23	SW1	DPDT
P2-7	50KRL	70-133-01	SW2	DPDT
P8	50KRA	70-503-23	IC1-4	UA4558
P9	10KRL	70-132-01	IC5	NE5532
P10	10KRL	70-132-01	IC6-8	UA4558
P11	10KRA	70-103-22		
P12	100K Dual RA	70-104-26		
P13	10KRL w/DET.	70-103-24		
AP1	10KRL	71-103-02	I/O JACK BOARD	
AP2	50KRL	71-507-02	P1	50KRL
Q1	2N5460	96-560-01	J1-3	11ZAPC
Q2	2N5639	96-539-01	J4	Male Conn
Q3	2N5639	96-539-01	J5-7	11ZAPC
Q4	2N5087	96-587-01	J8	9 PIN HDR
Q5	2N5639	96-539-01		



REDESIGNED FOR A-I

B-150 PREAMP I/O JACK P.C. BOARD
 31M ELECTRONICS
 REV: 12-3-85
 DATE: 12-3-85
 NO: 16-401-01



PART #	DESCRIPTION	SLM PART #	PART	DESCRIPTION	PART NUMBER	PART	DESCRIPTION	PART #	PART	DESCRIPTION	PART NUMBER	PART	DESCRIPTION	PART #	PART	DESCRIPTION	PART NUMBER
R1	10K	76-103-01	R37	8.2K	76-822-01	R74	1M	76-105-01	R111	100ohm	76-100-01	C35	50pf	10-561-01	J1	1/2" jack	39-116-01
R2	47K	76-473-01	R38	10K	76-102-01	R75	1M	76-105-01	R112	10M	76-105-01	C36	.015	10-127-03	J2	1/2" jack	39-116-01
R3	220K	76-224-01	R39	68K	76-683-01	R76	68K	76-683-01	R113	10ohm	76-100-01	C37	.015	10-127-03	J3	SPIN HDR	17-310-09
R4	12K	76-123-01	R40	47K	76-473-01	R77	22K	76-223-01	R114	220K	76-224-01	C38	100/35v	12-107-32	J4	GND LUG	17-500-01
R5	680ohm	76-681-01	R41	1.8K	76-182-01	R78	1K	76-103-01	C39	100/35v	76-103-01	C39	100/35v	12-107-32	J5	4PIN POL HDR	17-309-04
R6	3.3K	76-332-01	R42	10K	76-103-01	R79	10ohm	76-100-01	C40	47/35v	12-474-32	C40	47/35v	12-474-32	SW1	DPDT	88-301-01
R7	47K	76-473-01	R43	33K	76-333-01	R80	10ohm	76-100-01	C41	47/35v	12-474-32	C41	47/35v	12-474-32	SW2	DPDT	88-301-01
R8	1M	76-105-01	R44	47K	76-473-01	R81	8.2K	76-822-01	C42	.047	10-473-03	C42	.047	10-473-03	PC Board 06-508-01		
R9	100K	76-104-01	R45	3.3M	76-335-01	R82	2.7K	76-272-01	C43	.047	10-473-03	C43	.047	10-473-03	JW1	1/2" Jumper	76-005-01
R10	47K	76-473-01	R46	3.3M	76-335-01	R83	22K	76-223-01	C44	50p	10-500-01	C44	50p	10-500-01	JW2	1/2" Jumper	76-005-01
R11	10ohm	76-100-01	R47	47K	76-473-01	R84	7.5K	76-752-01	C45	50p	10-500-01	C45	50p	10-500-01	JW3	1/2" Jumper	76-005-01
R12	680ohm	76-681-01	R48	47K	76-473-01	R85	1M	76-105-01	C46	2.2np	12-225-81	C46	2.2np	12-225-81	JW4	3/4" Jumper	76-007-01
R13	22K	76-223-01	R49	47K	76-473-01	R86	47K	76-473-01	C47	10/35	10-106-32	C47	10/35	10-106-32	JW5	3/4" Jumper	76-007-01
R14	22K	76-223-01	R50	47K	76-473-01	R87	10K	76-103-01	D1-7	18914	21-914-01	D1-7	18914	21-914-01	JW6	3/4" Jumper	76-007-01
R15	22K	76-223-01	R51	47K	76-473-01	R88	1K	76-102-01	D8,9	RED LED	97-224-01	D8,9	RED LED	97-224-01			
R16	22K	76-223-01	R52	10ohm	76-103-01	R89	10ohm	76-100-01	D10,11	1N4554A	21-553-01	D10,11	1N4554A	21-553-01			
R17	1K	76-102-01	R53	47K	76-473-01	R90	33K	76-333-01	D12	18914	21-914-01	D12	18914	21-914-01			
R18	22K	76-223-01	R54	47K	76-473-01	R91	47K	76-473-01	P1	50KRA	70-503-23	P1	50KRA	70-503-23			
R19	47K	76-473-01	R55	1M	76-105-01	R92	47K	76-473-01	P2-7	50KL	70-133-01	P2-7	50KL	70-133-01			
R20	150K	76-154-01	R56	1M	76-105-01	R93	10ohm	76-100-01	P8	50KRA	70-503-23	P8	50KRA	70-503-23			
R21	680ohm	76-681-01	R57	47K	76-473-01	R94	47K	76-472-01	P9	10KL	70-132-01	P9	10KL	70-132-01			
R22	680ohm	76-681-01	R58	100K	76-104-01	R95	10K	76-103-01	P10	50KL	70-133-01	P10	50KL	70-133-01			
R23	22K	76-223-01	R59	100K	76-104-01	R96	22K	76-223-01	P11	10KA	70-103-22	P11	10KA	70-103-22			
R24	22K	76-223-01	R60	100K	76-104-01	R97	10K	76-103-01	P12	100K Dual RA	70-104-26	P12	100K Dual RA	70-104-26			
R25	10ohm	76-100-01	R61	100K	76-104-01	R98	10K	76-103-01	P13	10KL w/DET.	70-103-24	P13	10KL w/DET.	70-103-24			
R26	10ohm	76-100-01	R62	22K	76-223-01	R99	10K	76-103-01	AP1	10KL	71-103-02	AP1	10KL	71-103-02			
R27	10ohm	76-100-01	R63	47K	76-473-01	R100	3.3K	76-332-01	Q1	2N5460	96-540-01	Q1	2N5460	96-540-01			
R28	22K	76-223-01	R64	10K	76-103-01	R101	10K	76-103-01	Q2	2N5639	96-539-01	Q2	2N5639	96-539-01			
R29	22K	76-223-01	R65	10K	76-103-01	R102	10K	76-103-01	Q3	2N5639	96-539-01	Q3	2N5639	96-539-01			
R30	1K	76-102-01	R66	1.8K	76-182-01	R103	3.3K	76-332-01	Q4	2N5087	96-587-01	Q4	2N5087	96-587-01			
R31	10K	76-103-01	R67	47K	76-473-01	R104	3.3K	76-332-01	Q5	2N5639	96-539-01	Q5	2N5639	96-539-01			
R32	22K	76-223-01	R68	100K	76-104-01	R105	10ohm	76-100-01	IC1-4	UA658	37-458-01	IC1-4	UA658	37-458-01			
R33	68K	76-683-01	R69	100K	76-104-01	R106	5.6Kly	77-562-01	IC5	NE5532	37-532-01	IC5	NE5532	37-532-01			
R34	680ohm	76-681-01	R70	470K	76-474-01	R107	2.2ohm 10w	78-221-10	IC6-8	UA658	37-458-01	IC6-8	UA658	37-458-01			
R35	10ohm	76-100-01	R71	27K	76-272-01	R108	2.2ohm 10w	78-221-10									
R36	8.2K	76-822-01	R72	33K	76-333-01	R109	47ohm	76-470-01									
			R73	220ohm	76-221-01	R110	47ohm	76-470-01									

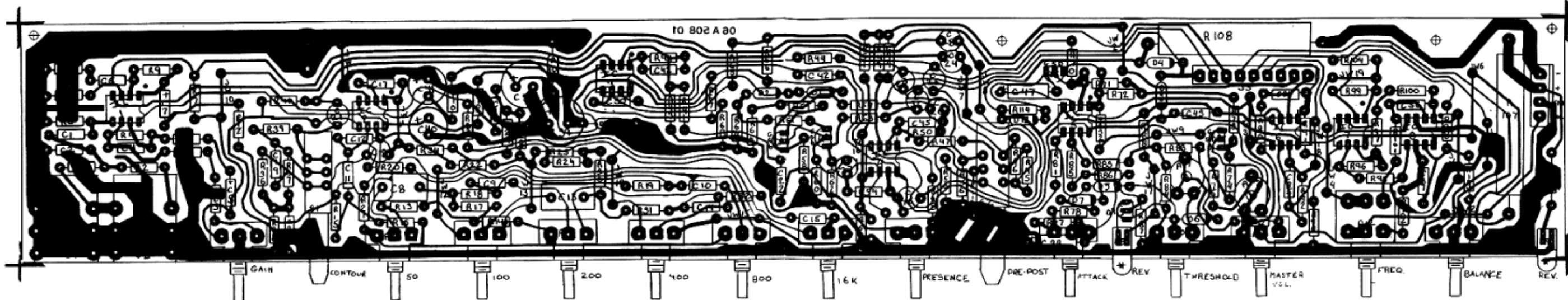
Notes: 1) Unless otherwise specified, all resistors are in ohms, 1/2 watt, 5%. All capacitors are in Microfarads and have a 100 volt rating.

TOLERANCES	REVISIONS	DATE	BY
RESISTOR	1	07-21-81	SLM
FRACTIONAL	1		
TOLERANCE	1		

B-150 PREAMP PC BOARD
PICTORIAL - ASSY # 07-508-01
SLM ELECTRONICS ST. LOUIS
1400 FERGUSON AVE. MO. 63122

DATE: 07-21-81
BY: SLM
CHECKED: SLM
APPROVED: SLM

07-508-01



PART #	DESCRIPTION	SLM PART #	PART #	DESCRIPTION	PART #	PART #	DESCRIPTION	PART #	PART #	DESCRIPTION	PART #	PART #	DESCRIPTION	PART #
R1	10K	76-103-01	R37	8.2K	76-822-01	R74	1M	76-105-01	C26	2.2 NP	12-225-81	P1	50KRA	70-503-23
R2	47K	76-473-01	R38	10K	76-102-01	R75	100K	76-104-01	C27	2.2 NP	12-225-81	P2-7	50KLA	70-133-01
R3	220K	76-224-01	R39	68K	76-683-01	R77	75K	76-752-01	C28	2.2 NP	12-225-81	P8	50KRA	70-503-23
R4	12K	76-123-01	R40	47K	76-473-01	R78	680A	76-681-01	C29	2.2 NP	12-225-81	P9	10KL	70-132-01
R5	680ohm	76-681-01	R41	1.8K	76-182-01	R80	3.3K	76-332-01	C30	.047	10A473-11	P10	50KL	70-133-01
R6	3.3K	76-332-01	R42	2.2K	76-223-01	R81	8.2K	76-822-01	C31	2.2 NP	12-225-81	P11	10KA	70-103-22
R7	47K	76-473-01	R43	33K	76-333-01	R82	2.7K	76-272-01	C32	10/16 V	12A106-11	P12	100K Dual RA	70-104-26
R8	1M	76-105-01	R44	47K	76-473-01	R83	22K	76-223-01	C33	10/35 V	12A106-32	P13	10KL w/DET.	70-103-24
R9	100K	76-104-01	R45	3.3M	76-335-01	R84	7.5K	76-752-01	C34	560 PF	10-561-21	AP1	10KL	71-103-02
R10	47K	76-473-01	R46	3.3M	76-335-01	R85	1M	76-105-01	C35	50 PF	10A500-21	AP2	50KL	71-503-02
R12	680ohm	76-681-01	R47	47K	76-473-01	R86	47K	76-473-01	C36	.015	10A53-01	Q1	2N5460	96-560-01
R13	22K	76-223-01	R48	47K	76-473-01	R87	47K	76-473-01	C37	.015	10A53-01	Q2	2N4339	96-539-04
R14	22K	76-223-01	R49	47K	76-473-01	R88	1K	76-102-01	C38	100/35 V	12-107-32	Q3	2N5639	96-539-07
R15	22K	76-223-01	R50	47K	76-473-01	R89	33K	76-332-01	C39	100/35 V	12-107-32	Q4	2N5087	96-587-01
R16	22K	76-223-01	R51	47K	76-473-01	R90	33K	76-332-01	C40	47/35 V	12-476-32	Q5	2N4363n	96-539-01
R17	1K	76-102-01	R53	47K	76-473-01	R91	47K	76-473-01	C41	47/35 V	12-476-32	IC1-4	UA658	37-458-01
R18	22K	76-223-01	R54	47K	76-473-01	R92	47K	76-473-01	C42	.047	10A473-11	IC5	NE5532	37-532-01
R19	47K	76-473-01	R55	1M	76-105-01	R94	47K	76-472-01	C43	.047	10A473-11	IC6-A	UA658	37-458-01
R20	150K	76-154-01	R56	1M	76-105-01	R95	10K	76-103-01	C44	50 P	10A500-21			
R21	680ohm	76-681-01	R57	47K	76-473-01	R96	22K	76-223-01	C45	50 P	10A500-21			
R22	680ohm	76-681-01	R58	100K	76-104-01	R97	10K	76-103-01	C46	2.2 NP	12-225-81			
R23	22K	76-223-01	R59	100K	76-104-01	R98	10K	76-103-01	C47	10/35	10-106-32			
R24	22K	76-223-01	R60	100K	76-104-01	R99	10K	76-103-01						
R28	22K	76-223-01	R61	100K	76-104-01	R100	3.3K	76-332-01						
R29	22K	76-223-01	R62	22K	76-223-01	R101	10K	76-103-01						
R30	1K	76-102-01	R63	47K	76-473-01	R102	10K	76-103-01						
R31	10K	76-103-01	R64	10K	76-103-01	R103	3.3K	76-332-01						
R32	22K	76-223-01	R65	10K	76-103-01	R104	3.3K	76-332-01						
R33	68K	76-683-01	R66	1.8K	76-182-01	R106	5.6K 1/2W	77-562-01						
R34	680ohm	76-681-01	R67	47K	76-473-01	R107	220 ohm 10V	78-221-10						
R36	8.2K	76-822-01	R68	100K	76-104-01	R108	220 ohm 10V	78-221-10						
			R69	100K	76-104-01	R109	47ohm	76-470-01						
			R70	470K	76-474-01	R110	47ohm	76-470-01						
			R71	27K	76-272-01									
			R72	33K	76-333-01									
			R73	220ohm	76-221-01									

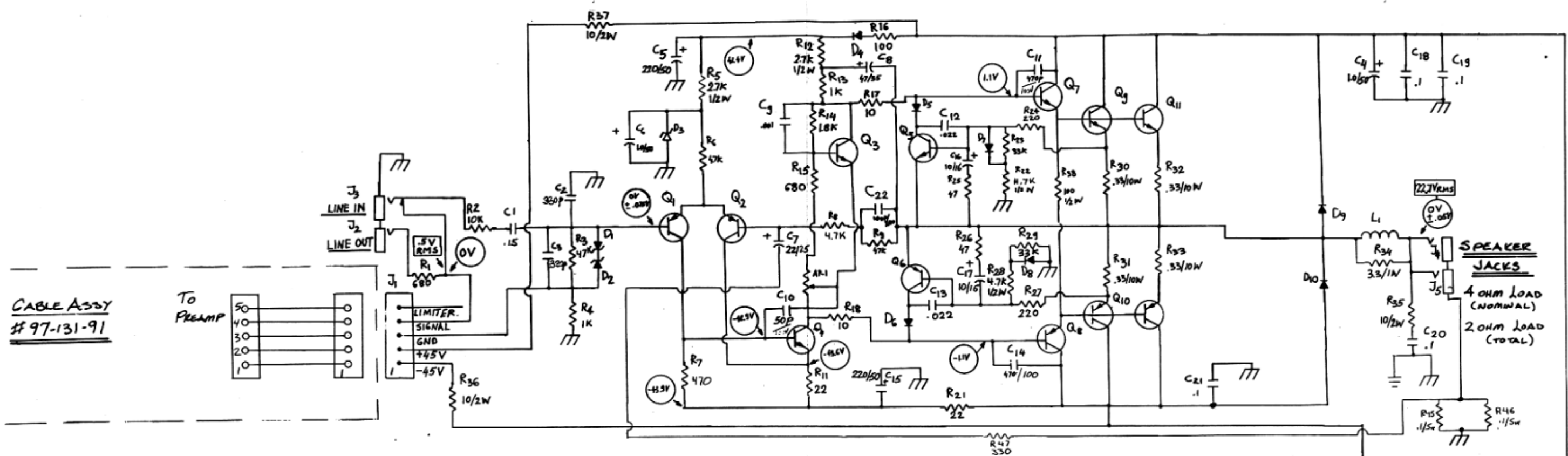
Notes: 1) Unless otherwise specified, all resistors are in ohms, 1/2 watt, 5%. All capacitors are in Microfarads

PCB #06A508-01
 REDESIGNED FOR AUTO-INSERTION

B-150 PICTORIAL
 ASSY: *07-508-01

REVISIONS	DESCRIPTION
1	SLM ELECTRONICS 1400 FERGUSON AVE. ST LOUIS MO. 63133
TJC 10-29-84 / C.F. H-25-84 1 OF 1	
DRAWING NO. 07-508-01	

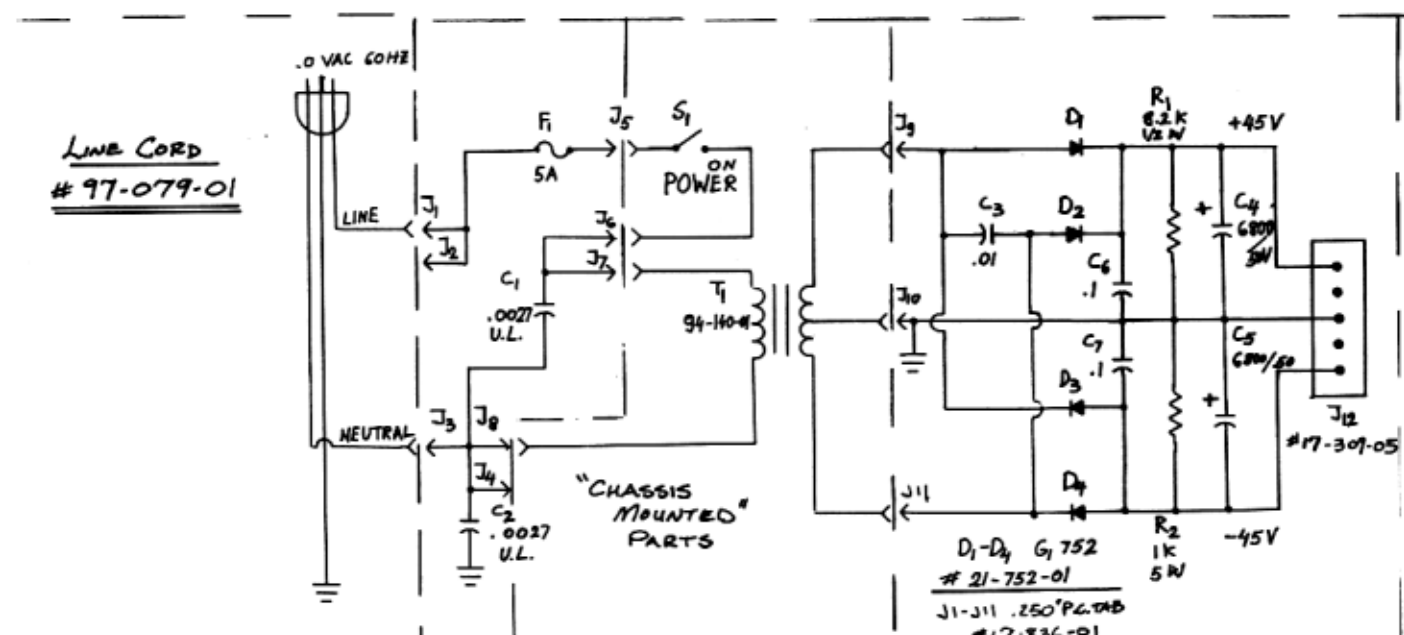
"150 WATT POWER AMPLIFIER" P.C. BOARD
ASSY # 07-402-05
 (P.C. BOARD # 06402-04)



CABLE ASSY
 # 97-131-91

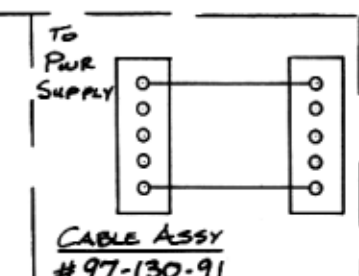
To PREAMP

SPEAKER JACKS
 4 OHM LOAD (NORMAL)
 2 OHM LOAD (TOTAL)



LINE CORD
 # 97-079-01

POWER SUPPLY P.C. BOARD
 ASSY # 07-312-01



CABLE ASSY
 # 97-130-91

PARTS LIST (POWER AMP)

Part	Description	Part Number	Part	Description	Part Number
Q1	2N5087	96-587-01	D1	1N746	21A166-01
Q2	2N5087	96-587-01	D2	1N746	21A166-01
Q3	2N3405	96-342-01	D3	1M475A	21A145-01
Q4	NPS007	96-007-01	D4	1N914	21A914-01
Q5	2N5210	96-510-01	D5	1N914	21A914-01
Q6	2N5087	96-587-01	D6	1N914	21A914-01
Q7	T1P31C	96-031-03	D7	1N914	21A914-01
Q8	T1P32C	96-032-03	D8	1N914	21A914-01
Q9	MJ15001	96-101-01	D9	1M4002	21A402-01
Q10	MJ15002	96-102-01	D10	1M4002	21A402-01
Q11	MJ15001	96-101-01	J1	4PIN	17-311-04
Q12	MJ15002	96-102-01	J2	112APC	39-012-01
L1	0.5uh	96-141-01	J3	112APC	39-012-01
AP-1	500ohm TRIM	71-501-02	J4	112APC	39-012-01
			J5	112APC	39-012-01
			J6	5PIN	17-311-05

NOTES:

- 1) Except as indicated, all capacitors in MFD @ 50V, all resistors in Ohms @ 1/2 watt 5% tolerance.
- 2) Voltages measured with: 1 Megohm input oscilloscope (AC), 10 Megohm input D.V.M. (DC). Take loading into account if using other equipment.
- 3) Bias voltage: No signal, no load, @ 120vac line
 At Turn-on: 3.5mv across R32
 After 30min: 6mv across R32

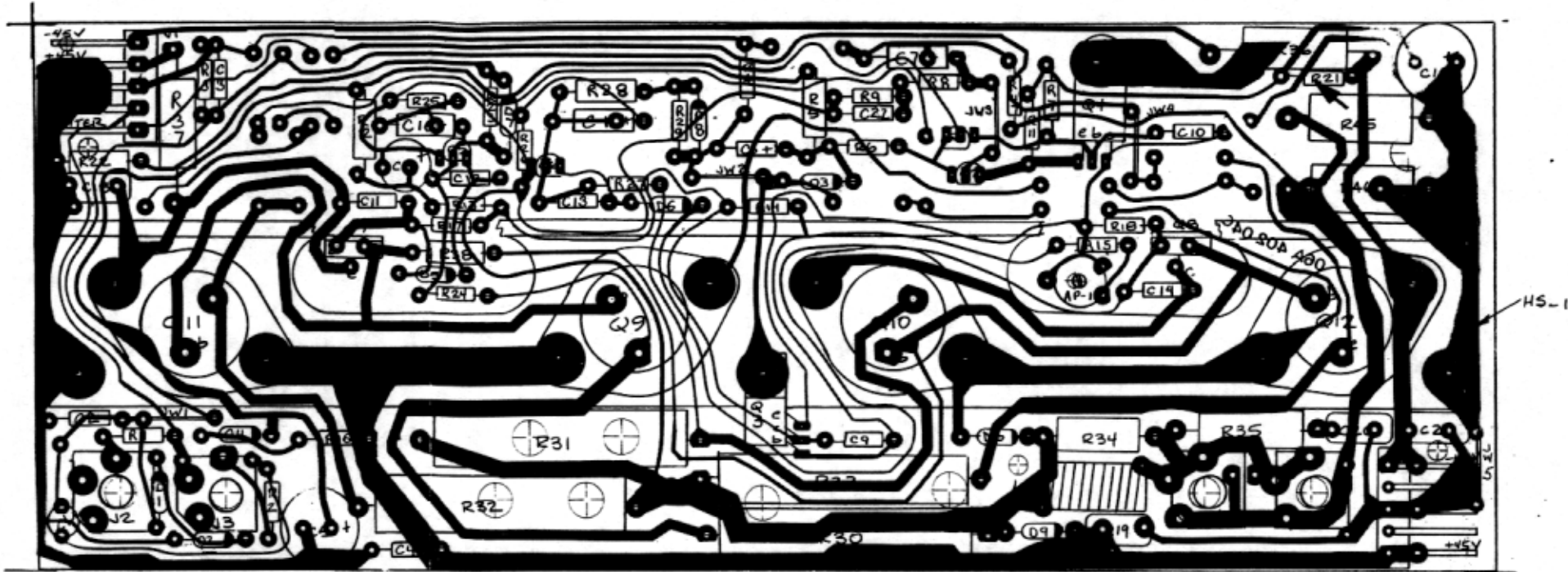
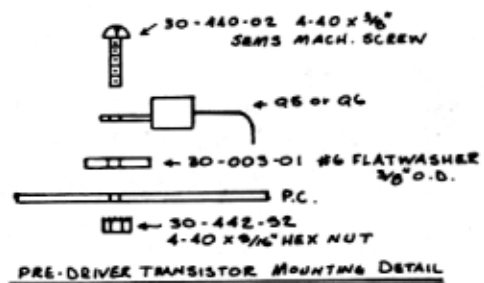
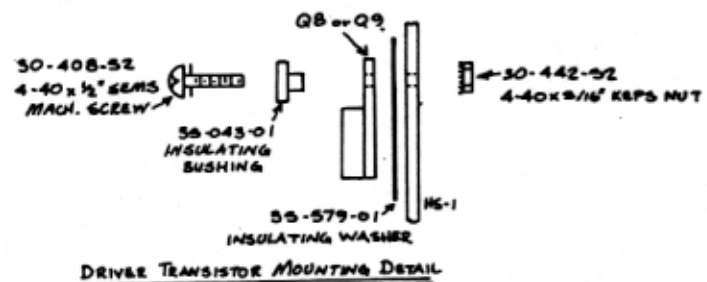
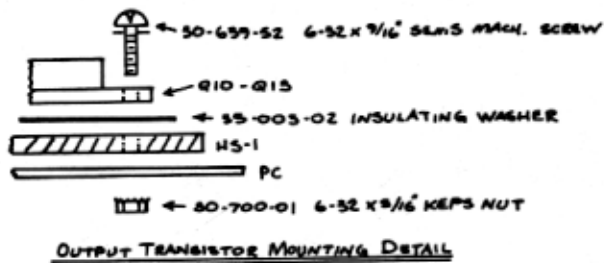
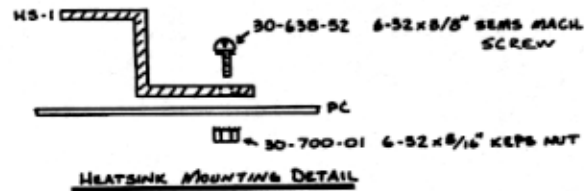
A-I - GUITAR AMP VERSION

150 WATT POWER AMP/SUPPLY

REVISIONS:
 ① 1-14-87
 TJK
 ② 7-7-87

SJM ELECTRONICS
 1400 FERGUSON AVE.
 ST. LOUIS, MO. 63133

SP. 1/7/85 /bm 2 of 2
 DRAWING No: 16-XXX-01



NOTE: P.C. BOARD NO. 06A402-04

Part	Description	Part Number	Part	Description	Part Number	Part	Description	Part Number	Part	Description	Part Number
R1	680ohm	76-681-01	R26	47	76-470-01	C6	1.0/50	12A105-51			
R2	10K	76-103-01	R27	220	76-221-01	C7	22/25	12-226-21			
R3	47K	76-473-01	R28	47K 1/2w	77-472-01	C8	47/35	12-476-32			
R4	1K	76-102-01	R29	33K	76-333-01	C9	.001	10A102-11			
R5	2.7K 1/2w	77-272-01	R30	.33/10w	78-330-01	C10	50p/100v	10A500-21			
R6	4.7K	76-472-01	R31	.33/10w	78-330-01	C11	470p/100v	10A471-11			
R7	470A	76-471-01	R32	.33ohm/10w	78-330-01	C12	.022	10A223-01			
R8	4.7K	76-472-01	R33	.33ohm/10w	78-330-01	C13	.022	10A223-01	J1	4 PIN	17-311-04
R9	47K	76-473-01	R34	.33ohm/1w	78-033-01	C14	470p/100v	10A471-41	J2	112APC	39-012-01
R11	22ohm	76-220-01	R35	10ohm/2w	78-100-01	C15	220/50	12-227-02	J3	112APC	39-012-01
R12	2.7K 1/2w	77-272-01	R36	10ohm/2w	78-100-01	C16	10/16	12A106-11	J4	112APC	39-012-01
R13	1K	76-102-01	R37	10ohm/2w	78-100-01	C17	10/16	12A106-11	J5	112APC	39-012-01
R14	1.8K	76-182-01	R38	100ohm 1/2w	77-101-01	C18	.1	10-104-03	J6	5PIN	17-311-05
R15	680	70-681-01	R45	.1/5w	78-001-05	C19	.1	10-104-03	Q1	2N5087	96-587-01
R16	100ohm	76-101-01	R46	.1/5w	78-001-05	C20	.1	10-104-03	Q2	2N5087	96-587-01
R17	10ohm	76-100-01	R47	.330	70-831-01	C21	.1	10-104-03	Q3	2N3405	96-342-01
R18	10ohm	76-100-01	JUMPERS JW1-JW5 76-000-02			C22	100p	10A101-21	Q4	MPS007	96-007-01
R21	22ohm	76-220-01	C1	.15	10A154-01	D1	1N746	21A146-01	Q5	2N5210	96-510-01
R22	4.7K 1/2w	77-472-01	C2	50p	10A551-21	D2	1N746	21A146-01	Q6	2N5087	96-587-01
R23	33K	76-333-01	C3	500	10A881-21	D3	1N4745A	21A145-01	Q7	TIP31C	96-031-03
R24	220	76-221-01	C4	1.0/50	12A105-51	D4	1N914	21A914-01	Q8	TIP32C	96-032-03
R25	47	76-470-01	C5	220/50	12-227-02	D5	1N914	21A914-01	Q9	MJ15001	96-101-01
						D6	1N914	21A914-01	Q10	MJ15002	96-102-01
						D7	1N914	21A914-01	Q11	MJ15001	96-101-01
						D8	1N914	21A914-01	Q12	MJ15002	96-102-01
						D9	1N4002	21A402-01			
						D10	1N4002	21A402-01	L1	0.5ohm	94-141-01

Notes: 1) Unless otherwise specified, all resistors are in ohms, 1/2 watt, 5%. All capacitors are in microfarads and have a 50VOLT RATING.

Description	QTY	Part #
F6 Flatwasher 3/8" O.D.		30-003-01
4-40x 1/2" PPH Screw		30-408-52
4-40x 3/8" PPH Screw		30-440-02
4-40 Hex Nut		30-442-52
6-32x 3/8" PPH Screw		30-638-53
6-32x 9/16" PPH Screw		30-639-52
6-32 Lock Hex Nut		30-700-01
Thermalloy Insulator		35-003-02
#4-3 Nylon Bushing		35-043-01
55-77-9 Thermal Ins.		35-579-01

PCB # 06A402-04
REDESIGNED FOR AUTO-INSERTION
GUITAR AMP VERSION

TOLERANCES	REVISIONS	150 WATT POWER AMP. P.C. BOARD. PICTORIAL - ASSY # 07-402-04	
DECIMAL	NO.	DATE	BY
1	1	1-14-87	JTC
FRACTIONAL	2	4-23-87	S.P.
2	3	7-7-97	TJK
ANGULAR			

SCALE: 2X
DATE: 1/10/85
DRAWING NO: 07-402-05