

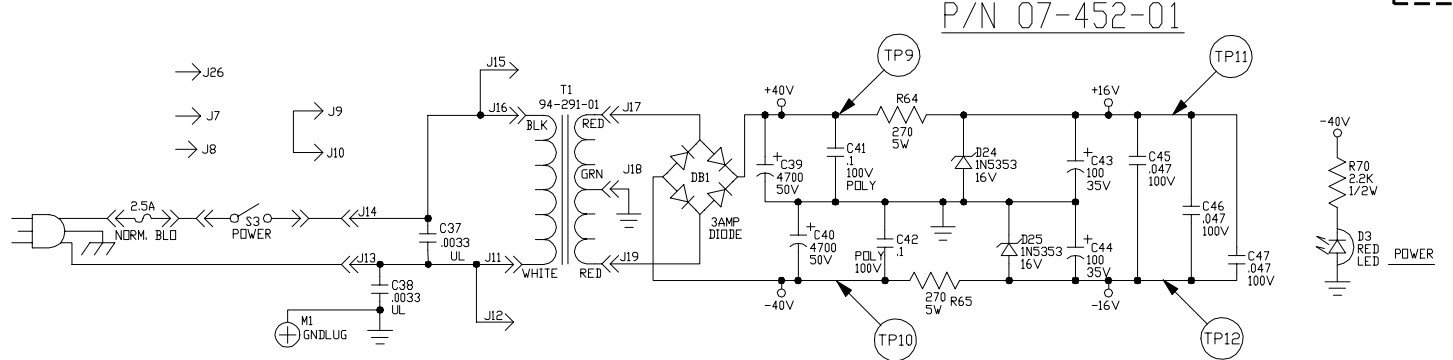
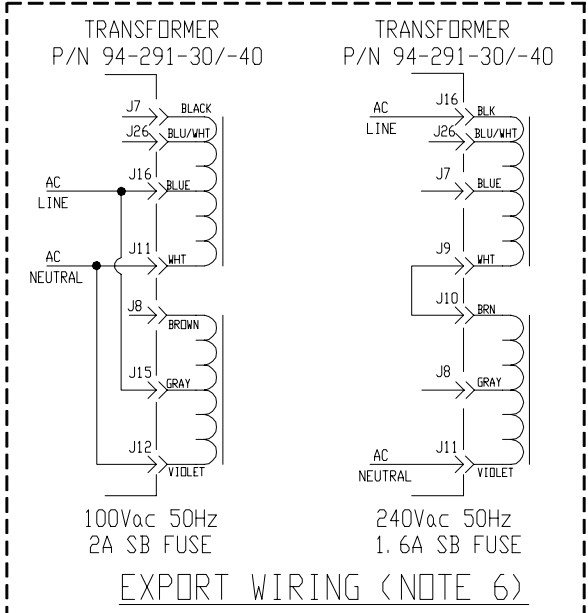
BIAS: WITH NO SIGNAL AND NO LOAD ADJUST AP1 FOR 5mV ACROSS R53.

INPUT PAD @ '0dB'  
GAIN LEVEL & BAL LEVEL @ '10'  
CONTOUR @ 'OFF'  
BAL. LINE OUT 'POST'  
4 OHM LOAD  
1 KHZ 14mV INPUT SIGNAL

TP	AC VOLTAGE RMS	DC VOLTAGE
1	275mV	—
2	320mV	—
3	310mV	—
4	300mV	—
5	50mV	—
6	450mV	—
7	1.15V	—
8	15V	—
9	0.5V ripple	+32V
10	0.5V ripple	-32V
11	—	+16V
12	—	-16V

- NOTES**
- 1) CAUTION: SHOCK HAZARD!! THIS UNIT CONTAINS HAZARDOUS VOLTAGE. DISCONNECT POWER AND BE SURE POWER SUPPLY IS DISCHARGED BEFORE TOUCHING INTERNAL PARTS.
  - 2) UNLESS NOTED, RESISTOR VALUES IN OHMS, 1/4W-5% TOL. CAPACITOR VALUES IN MICROFARADS, 50V-10% TOL.
  - 3) VOLTAGES ARE MEASURED WITH 1 MEGOHM OSCILLOSCOPE AND 10 MEGOHM DIGITAL VOLTMETER.

**CAUTION:**  
THIS SCHEMATIC IS PROVIDED FOR USE BY QUALIFIED PERSONNEL. TO AVOID RISK OF ELECTRIC SHOCK, REFER SERVICING TO QUALIFIED SERVICE PERSONNEL. DO NOT PERFORM ANY SERVICING BEYOND THAT EXPLAINED IN THE OPERATING INSTRUCTIONS.



0	6-9-00	CONTROL ISSUE			
B	3/10/2000	INITIAL ISSUE		REM	
REV:	DATE:	DESCRIPTION	ECR/EON NO:	CHNG'D BY:	APPR'D BY: DATE:
THE INFORMATION CONTAINED ON THIS DRAWING IS PROPRIETARY TO ST. LOUIS MUSIC, INC.					
SIGNATURES:		DATE:			
DRAWN:	REM	2/02/2000		11880 Borman Dr. St. Louis, Missouri 63146	
CHK'D:				FIRST USED ON:	
RLS'D:				BFX100b	
TOLERANCES:	DRAWING SIZE:	D		DRAWING TITLE:	
	DRAWING TYPE:	SCHEMO		PWA - BASS AMPLIFIER	
	CLASS CODE:			DRAWING NO.:	
	SCALE:	NONE		07S452-XX	
	SHEET:	1 OF 1			