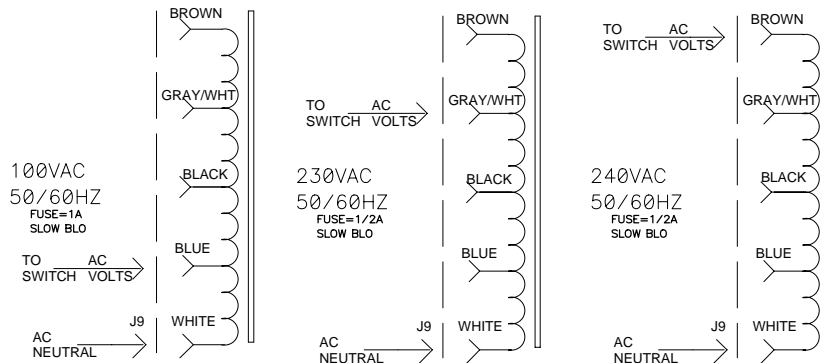


Power Table

Ref	Des	Device(Type)	Package	-VS	+VS	+15V	-15V
U1	3787201	TLO-72	8DIP.3		8	4	
U2	3725001	TDA2050	8DIP.3	5			
U4	3787201	TLO-72	8DIP.3		8	4	

**CAUTION:**  
THIS SCHEMATIC IS PROVIDED FOR USE BY QUALIFIED PERSONNEL TO AVOID RISK OF ELECTRIC SHOCK, REFER SERVICING TO QUALIFIED SERVICE PERSONNEL. DO NOT PERFORM ANY SERVICING BEYOND THAT EXPLAINED IN THE OPERATING INSTRUCTIONS.

- NOTES:**
- 1) CAUTION: SHOCK HAZARD!! THIS UNIT CONTAINS HAZARDOUS VOLTAGE. DISCONNECT POWER AND BE SURE POWER SUPPLY IS DISCHARGED BEFORE TOUCHING INTERNAL PARTS.
  - 2) UNLESS NOTED, RESISTOR VALUES IN OHMS, 1/4W-5% TOL. CAPACITOR VALUES IN MICROFARADS, 50V-10% TOL.
  - 3) VOLTAGES ARE MEASURED WITH 1 MEGOHM OSCILLOSCOPE AND 10 MEGOHM DIGITAL VOLTMETER.



0	3/31/2000	CONTROL ISSUE			REM	
B	12/21/99	VALUE CHANGES	R00278		REM	
A	10/21/99	INITIAL ISSUE				
REV	Date	DESCRIPTION	Ecr(s)/Ecn(s)	Chgd By	Appvd by	Date
THE INFORMATION CONTAINED ON THIS DRAWING IS PROPRIETARY TO ST. LOUIS MUSIC, INC.						
Signatures:		Date:		 11880 Borman Drive, St. Louis, MO 63146		
Drawn: REM		7/16/99				
Checked: -		-		First Used On:		
Released:		-		BFX25a		
Tolerance:		Drawing Size: C		Drawing Title: PWA - BASS AMPLIFIER		
		Drawing Type: Schematic		Drawing Number: 07S446-XX		
		Class Code: NONE				
		Sheet 1 of 1				