

GAIN A @ 10, SHAPE @ 5, A LEVEL @ 5,
 GAIN B, TONES @ 5, OCTAVE @ 0, & MASTER @ 10
 CHANNEL B CLEAN, 500Hz INPUT 80mV p-p
 120VAC NO LOAD

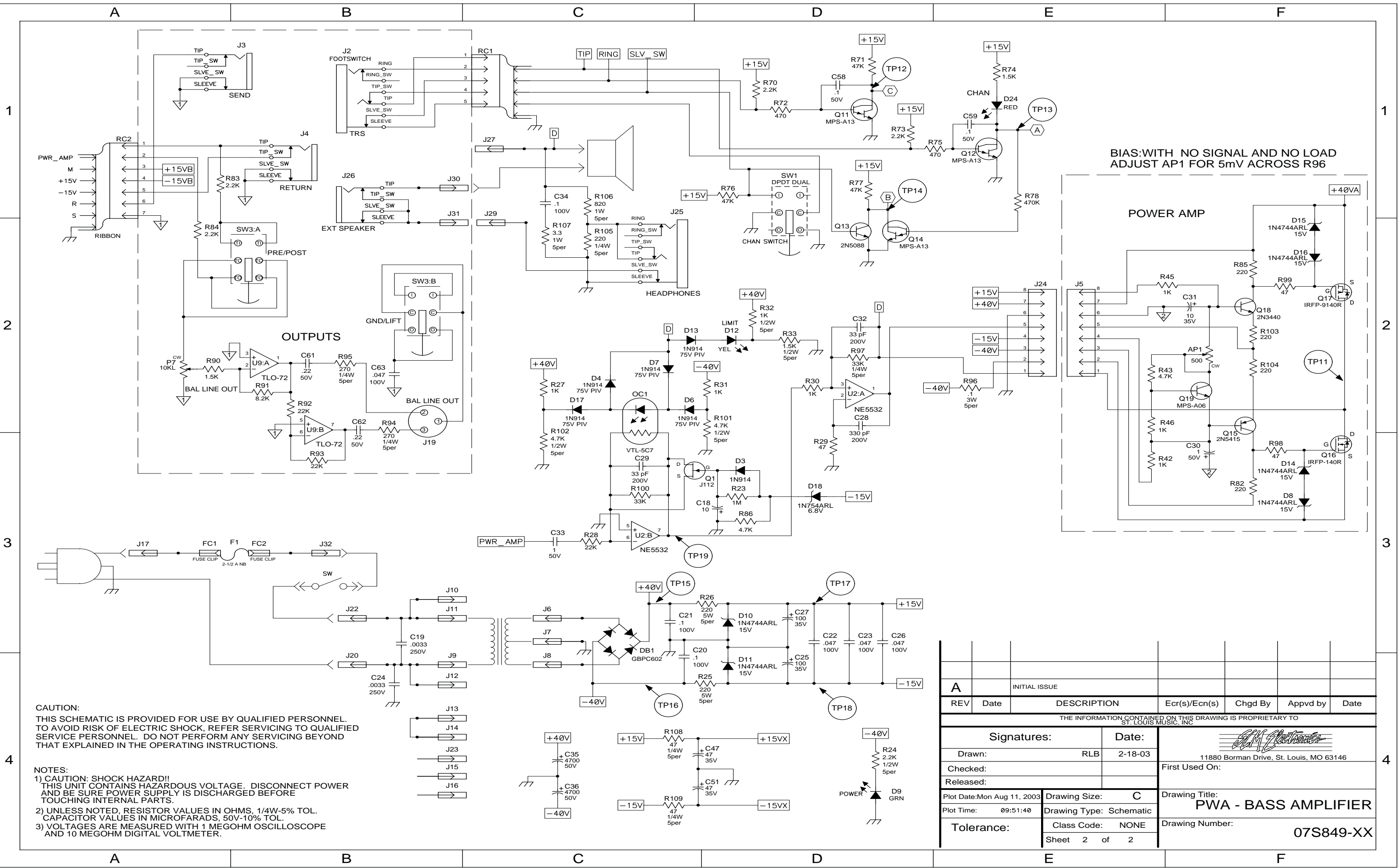
TEST POINT	WAVE SHAPE	A.C. p-p	D.C.	SPECIAL CONDITIONS
1	~	180mV	—	
2	~	180mV	—	
3	~	3.5V	—	CHANNEL A SELECTED
4	~	3V	—	CHANNEL A SELECTED
5	~	1.5V	—	CHANNEL A SELECTED
6	~	260mV	—	
7	~	800mV	—	
8	~	450Hz	25V +/-4V	
9	~	250Hz	14V	
10	~	450Hz	100mV	
11	~	13V	—	
12	—	—	.7V	
13	—	—	1.5V 0	CHANNEL A SELECTED CHANNEL B SELECTED
14	—	—	15V .6V	CHANNEL A SELECTED CHANNEL B SELECTED
15	—	.4 RIPPLE	40V	
16	—	.4 RIPPLE	-40V	
17	—	—	15V	
18	—	—	-15V	
19	~	380mV	—	

Ref Des	Device(Type)	Package	C_GND	+15V	-15V	+15VX	-15VB	+15VB	-15VX
U1	3707201	8DIP_3	8	4					
U2	3753201	8DIP_3	8	4					
U4	3707201	8DIP_3	8	4					
U5	3707201	8DIP_3	8	4					
U6	3707201	8DIP_3	8	4					
U7	3707201	8DIP_3	8	4					
U8	3707201	8DIP_3		8			4		
U9	3707201	8DIP_3			4		8		
U12	3741301	14DIP_37			14				

CAUTION:
 THIS SCHEMATIC IS PROVIDED FOR USE BY QUALIFIED PERSONNEL.
 TO AVOID RISK OF ELECTRIC SHOCK, REFER SERVICING TO QUALIFIED
 SERVICE PERSONNEL. DO NOT PERFORM ANY SERVICING BEYOND
 THAT EXPLAINED IN THE OPERATING INSTRUCTIONS.

NOTES:
 1) CAUTION: SHOCK HAZARD!!
 THIS UNIT CONTAINS HAZARDOUS VOLTAGE. DISCONNECT POWER
 AND BE SURE POWER SUPPLY IS DISCHARGED BEFORE
 TOUCHING INTERNAL PARTS.
 2) UNLESS NOTED, RESISTOR VALUES IN OHMS, 1/4W-5% TOL.
 CAPACITOR VALUES IN MICROFARADS, 50V-10% TOL.
 3) VOLTAGES ARE MEASURED WITH 1 MEGOHM OSCILLOSCOPE
 AND 10 MEGOHM DIGITAL VOLTMETER.

A						INITIAL ISSUE					
REV	Date	DESCRIPTION				Ecr(s)/Ecn(s)	Chgd By	Appvd by	Date		
THE INFORMATION CONTAINED ON THIS DRAWING IS PROPRIETARY TO ST. LOUIS MUSIC, INC.											
Signatures:						Date:					
Drawn: RLB						2-18-03					
Checked:						First Used On:					
Released:						Drawing Title: PWA - BASS AMPLIFIER					
Tolerance:						Drawing Size: C			Drawing Number: 07S849-XX		
						Drawing Type: Schematic					
						Class Code: NONE					
						Sheet 1 of 2					




BIAS: WITH NO SIGNAL AND NO LOAD
ADJUST AP1 FOR 5mV ACROSS R96

POWER AMP

CAUTION:
THIS SCHEMATIC IS PROVIDED FOR USE BY QUALIFIED PERSONNEL.
TO AVOID RISK OF ELECTRIC SHOCK, REFER SERVICING TO QUALIFIED
SERVICE PERSONNEL. DO NOT PERFORM ANY SERVICING BEYOND
THAT EXPLAINED IN THE OPERATING INSTRUCTIONS.

NOTES:
1) CAUTION: SHOCK HAZARD!!
THIS UNIT CONTAINS HAZARDOUS VOLTAGE. DISCONNECT POWER
AND BE SURE POWER SUPPLY IS DISCHARGED BEFORE
TOUCHING INTERNAL PARTS.
2) UNLESS NOTED, RESISTOR VALUES IN OHMS, 1/4W-5% TOL.
CAPACITOR VALUES IN MICROFARADS, 50V-10% TOL.
3) VOLTAGES ARE MEASURED WITH 1 MEGOHM OSCILLOSCOPE
AND 10 MEGOHM DIGITAL VOLTMETER.

A		INITIAL ISSUE				
REV	Date	DESCRIPTION	Ecr(s)/Ecn(s)	Chgd By	Appvd by	Date
THE INFORMATION CONTAINED ON THIS DRAWING IS PROPRIETARY TO ST. LOUIS MUSIC, INC.						
Signatures:		Date:		 11880 Borman Drive, St. Louis, MO 63146		
Drawn: RLB		2-18-03		First Used On:		
Checked:						
Released:						
Plot Date: Mon Aug 11, 2003		Drawing Size: C		Drawing Title:		
Plot Time: 09:51:40		Drawing Type: Schematic		PWA - BASS AMPLIFIER		
Tolerance:		Class Code: NONE		Drawing Number:		
		Sheet 2 of 2		07S849-XX		