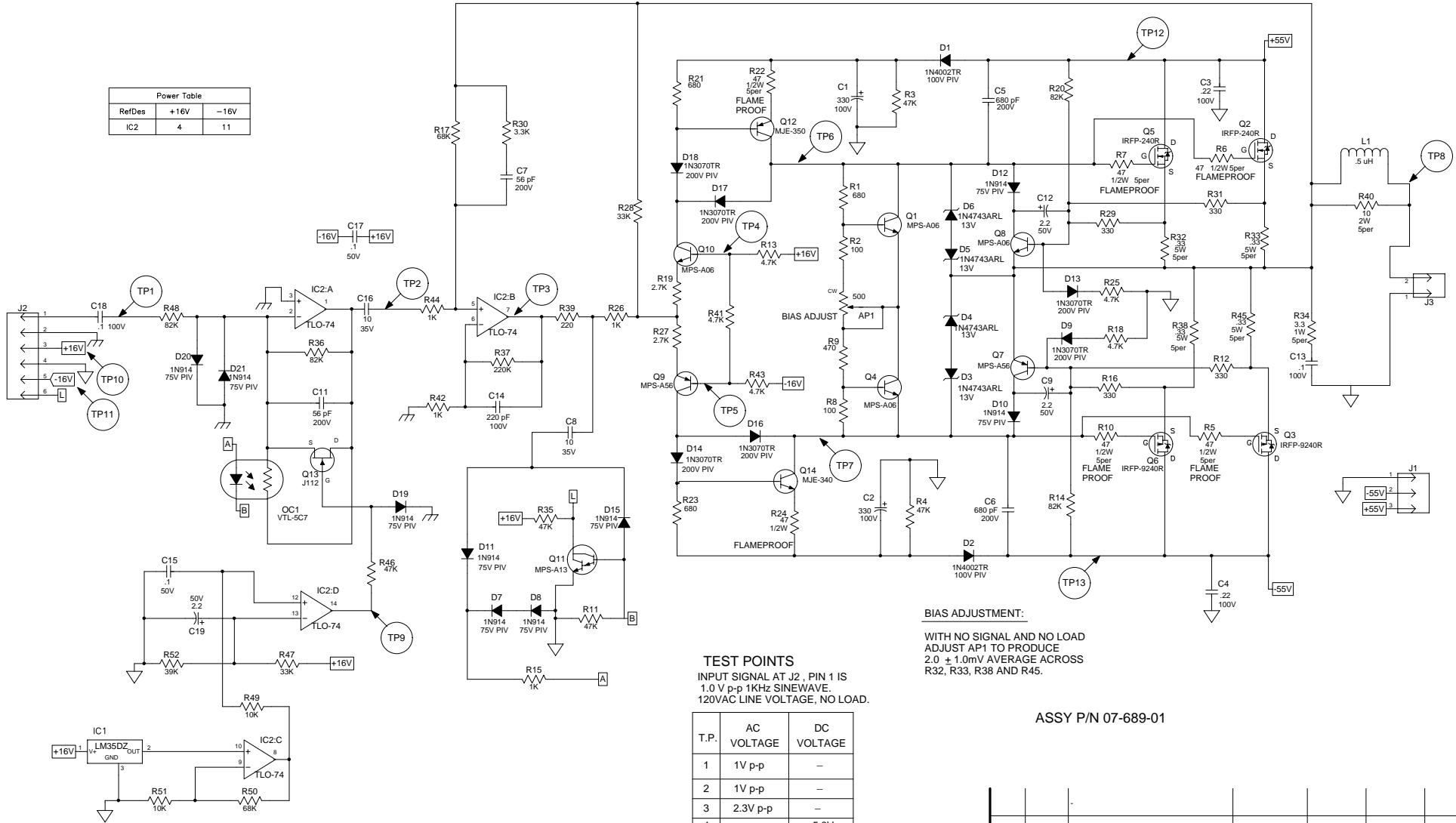


Power Table		
RefDes	+16V	-16V
IC2	4	11



BIAS ADJUSTMENT:
 WITH NO SIGNAL AND NO LOAD
 ADJUST AP1 TO PRODUCE
 2.0 ± 1.0mV AVERAGE ACROSS
 R32, R33, R38 AND R45.

TEST POINTS
 INPUT SIGNAL AT J2, PIN 1 IS
 1.0 V p-p 1KHz SINEWAVE,
 120VAC LINE VOLTAGE, NO LOAD.

T.P.	AC VOLTAGE	DC VOLTAGE
1	1V p-p	-
2	1V p-p	-
3	2.3V p-p	-
4	-	+5.8V
5	-	-5.8V
6	65V p-p	+4V
7	65V p-p	-4V
8	65V p-p	-
9	-	-15V
10	-	+16V
11	-	-16V
12	-	+55V
13	-	-55V

* DC LEVEL IS APPROXIMATE
 DEPENDING ON BIAS.

ASSY P/N 07-689-01

CAUTION:
 THIS SCHEMATIC IS PROVIDED FOR USE BY QUALIFIED PERSONNEL.
 TO AVOID RISK OF ELECTRIC SHOCK, REFER SERVICING TO QUALIFIED
 SERVICE PERSONNEL. DO NOT PERFORM ANY SERVICING BEYOND
 THAT EXPLAINED IN THE OPERATING INSTRUCTIONS.

NOTES:
 1) CAUTION: SHOCK HAZARD!!
 THIS UNIT CONTAINS HAZARDOUS VOLTAGE. DISCONNECT POWER
 AND BE SURE POWER SUPPLY IS DISCHARGED BEFORE
 TOUCHING INTERNAL PARTS.
 2) UNLESS NOTED, RESISTOR VALUES IN OHMS, 1/4W-5% TOL.
 CAPACITOR VALUES IN MICROFARADS, 50V-10% TOL.
 3) VOLTAGES ARE MEASURED WITH 1 MEGOHM OSCILLOSCOPE
 AND 10 MEGOHM DIGITAL VOLTMETER.

REV	Date	DESCRIPTION	Ecr(s)/Ecn(s)	Chgd By	Appvd by	Date
A	8/05/03	INITIAL ISSUE				
THE INFORMATION CONTAINED ON THIS DRAWING IS PROPRIETARY TO ST. LOUIS MUSIC, INC						
Signatures:		Date:		 11880 Borman Drive, St. Louis, MO 63146		
Drawn: REM		6/17/02				
Checked: -		-				
Released:		-		First Used On: -		
Plot Date: Wed Aug 13, 2003		Drawing Size: C		Drawing Title: SCHEM-220 WATT PWR AMP		
Plot Time: 11:11:43		Drawing Type: Schematic		Drawing Number: 07S689		
Tolerance:		Class Code: NONE		Sheet 1 of 1		