

GAIN A @ 10, SHAPE @ 5, A LEVEL @ 5,  
 GAIN B, TONES @ 5, OCTAVE @ 0, & MASTER @ 10  
 CHANNEL B CLEAN, 500Hz INPUT 80mV p-p  
 120VAC

TEST POINT	WAVE SHAPE	A.C. p-p	D.C.	SPECIAL CONDITIONS
1	~	180mV	—	
2	~	180mV	—	
3	~	3.5V	—	CHANNEL A SELECTED
4	~	3V	—	CHANNEL A SELECTED
5	~	1.5V	—	CHANNEL A SELECTED
6	~	260mV	—	
7	~	800mV	—	
8	~	27V	+/-4V	
9	~	18V	—	
10	~	100mV	—	
11	—	—	.7V	
12	—	—	.7V 15V	CHANNEL A SELECTED CHANNEL B SELECTED
13	—	—	7.5V 0	CHANNEL A SELECTED CHANNEL B SELECTED
14	—	.4 RIPPLE	55V	
15	—	.4 RIPPLE	-55V	
16	—	—	17V	
17	—	—	-17V	

**CAUTION:**  
 THIS SCHEMATIC IS PROVIDED FOR USE BY QUALIFIED PERSONNEL TO AVOID RISK OF ELECTRIC SHOCK, REFER SERVICING TO QUALIFIED SERVICE PERSONNEL. DO NOT PERFORM ANY SERVICING BEYOND THAT EXPLAINED IN THE OPERATING INSTRUCTIONS.

**NOTES:**  
 1) CAUTION: SHOCK HAZARD!! THIS UNIT CONTAINS HAZARDOUS VOLTAGE. DISCONNECT POWER AND BE SURE POWER SUPPLY IS DISCHARGED BEFORE TOUCHING INTERNAL PARTS.  
 2) UNLESS NOTED, RESISTOR VALUES IN OHMS, 1/4W-5% TOL. CAPACITOR VALUES IN MICROFARADS, 50V-10% TOL.  
 3) VOLTAGES ARE MEASURED WITH 1 MEGOHM OSCILLOSCOPE AND 10 MEGOHM DIGITAL VOLTMETER.

Ref Des	Device(Type)	Package	+15V	C_GND	-15V	+15VX	-15VB	+15VB	-15VX
U1	3707201	8DIP_3	8		4				
U4	3707201	8DIP_3	8		4				
U5	3707201	8DIP_3	8		4				
U6	3707201	8DIP_3	8		4				
U7	3707201	8DIP_3	8		4				
U8	3707201	8DIP_3			8				4
U9	3707201	8DIP_3			4		8		
U12	3741301	14DIP_3	7		14				

REV	Date	DESCRIPTION	Ecr(s)/Ecn(s)	Chgd By	Appvd by	Date
1	5-13-04	CHANGED C61, C62 TO 22uf CONTROL ISSUE		R01247	RLB	

THE INFORMATION CONTAINED ON THIS DRAWING IS PROPRIETARY TO ST. LOUIS MUSIC, INC.

**Signatures:** \_\_\_\_\_ **Date:** 6-19-03

Drawn: RLB

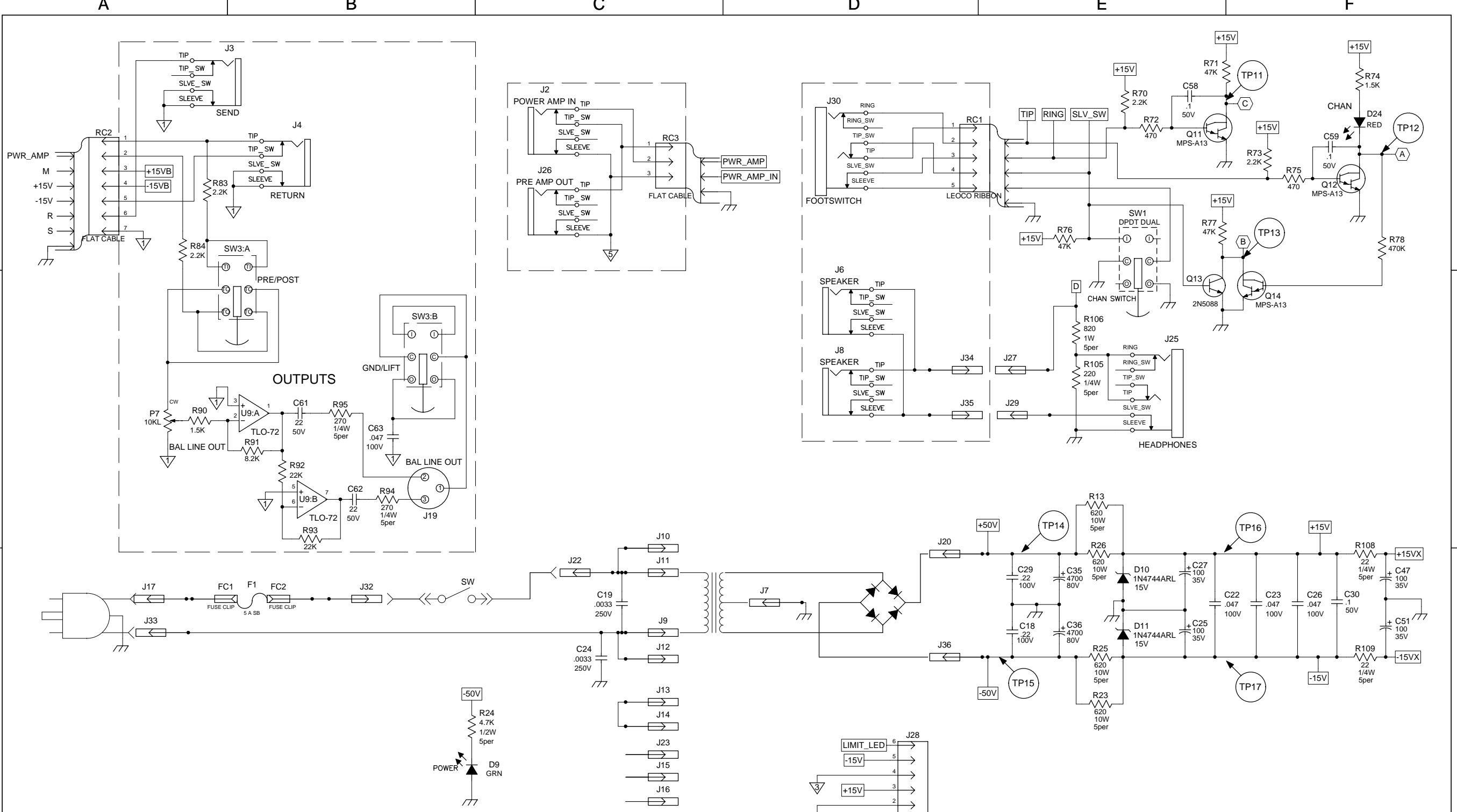
Checked: \_\_\_\_\_

Released: \_\_\_\_\_

Plot Date: Mon May 17, 2004 **Drawing Size:** C **Drawing Title:** BASS PREAMP

Plot Time: 13:16:28 **Drawing Type:** Schematic **Drawing Number:** 07S662

**Tolerance:** \_\_\_\_\_ **Class Code:** NONE **Sheet** 1 **of** 2



**CAUTION:**  
 THIS SCHEMATIC IS PROVIDED FOR USE BY QUALIFIED PERSONNEL.  
 TO AVOID RISK OF ELECTRIC SHOCK, REFER SERVICING TO QUALIFIED  
 SERVICE PERSONNEL. DO NOT PERFORM ANY SERVICING BEYOND  
 THAT EXPLAINED IN THE OPERATING INSTRUCTIONS.

**NOTES:**  
 1) CAUTION: SHOCK HAZARD!!  
 THIS UNIT CONTAINS HAZARDOUS VOLTAGE. DISCONNECT POWER  
 AND BE SURE POWER SUPPLY IS DISCHARGED BEFORE  
 TOUCHING INTERNAL PARTS.  
 2) UNLESS NOTED, RESISTOR VALUES IN OHMS, 1/4W-5% TOL.  
 CAPACITOR VALUES IN MICROFARADS, 50V-10% TOL.  
 3) VOLTAGES ARE MEASURED WITH 1 MEGOHM OSCILLOSCOPE  
 AND 10 MEGOHM DIGITAL VOLTMETER.

REV	Date	DESCRIPTION	Ecr(s)/Ecn(s)	Chgd By	Appvd by	Date
1	5-13-04	CHANGED C61, C62 TO 22uf CONTROL ISSUE		R01247	RLB	

THE INFORMATION CONTAINED ON THIS DRAWING IS PROPRIETARY TO  
 ST. LOUIS MUSIC, INC.

<b>Signatures:</b>		<b>Date:</b>
Drawn: RLB		6-19-03
Checked:		
Released:		
Plot Date: Mon May 17, 2004	Drawing Size: C	Drawing Title: <b>BASS PREAMP</b>
Plot Time: 13:16:29	Drawing Type: Schematic	Drawing Number: <b>07S662</b>
Tolerance:	Class Code: NONE	
	Sheet 2 of 2	