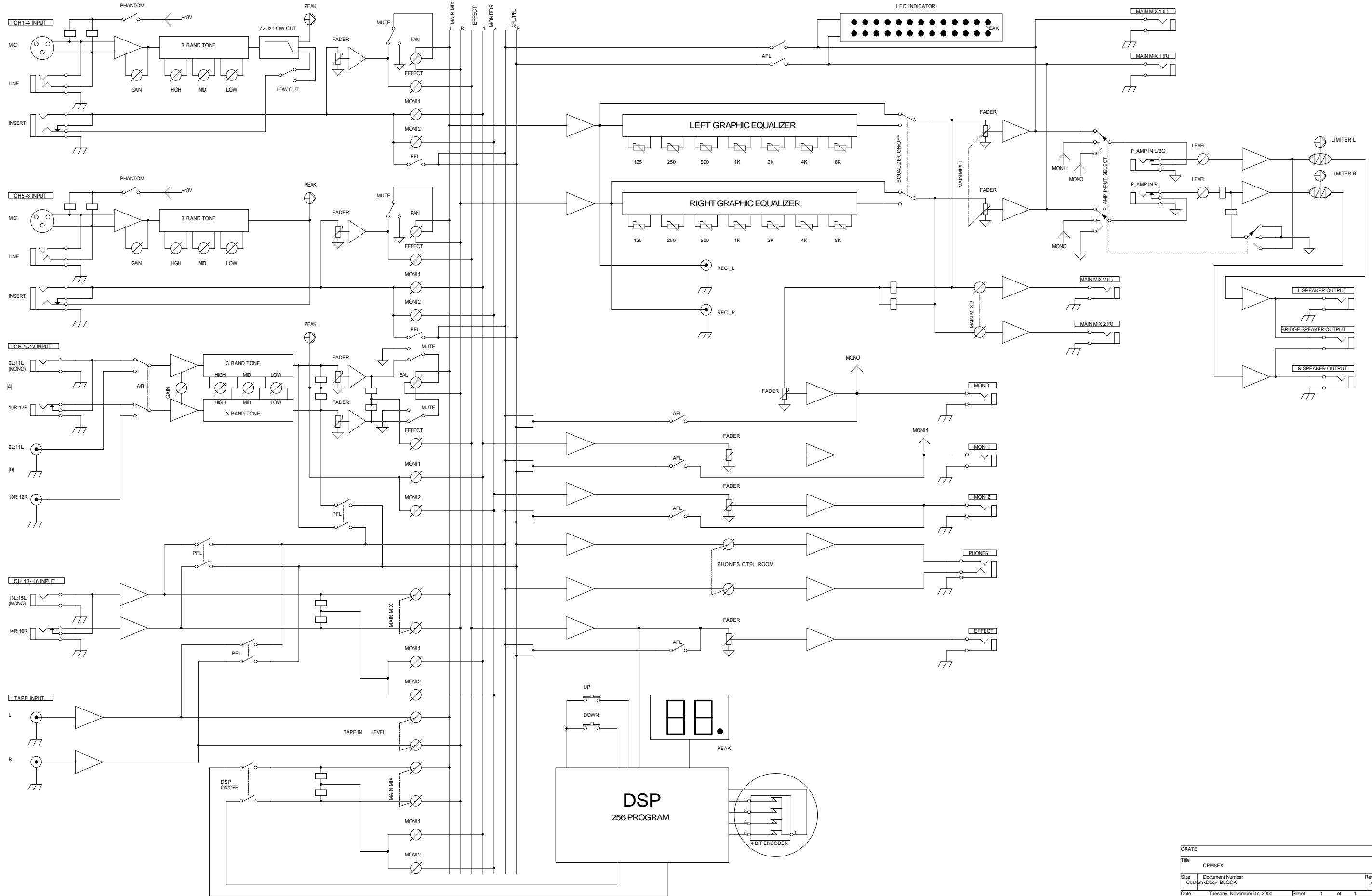
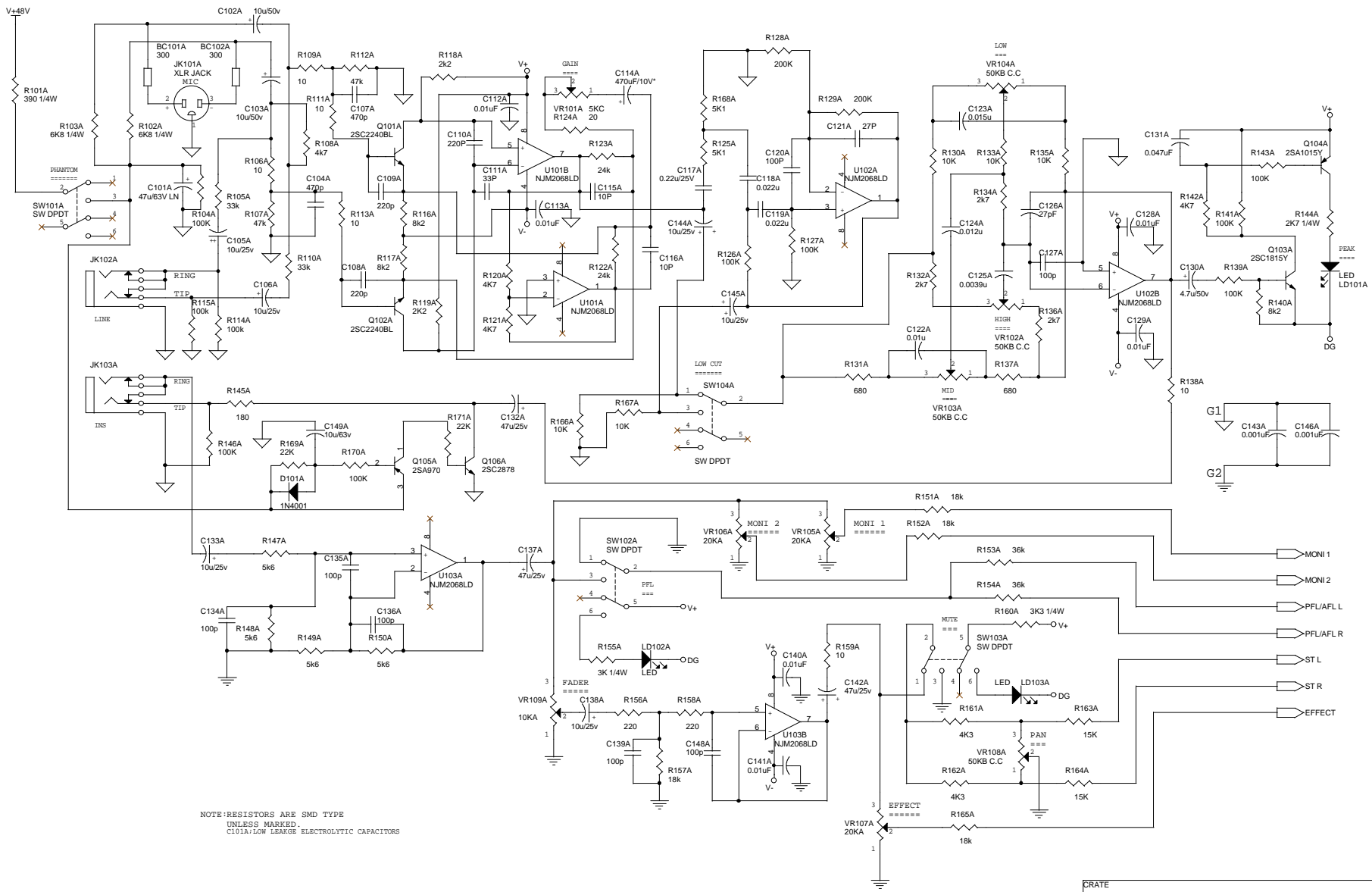


# CPM8FX BLOCK DIAGRAM

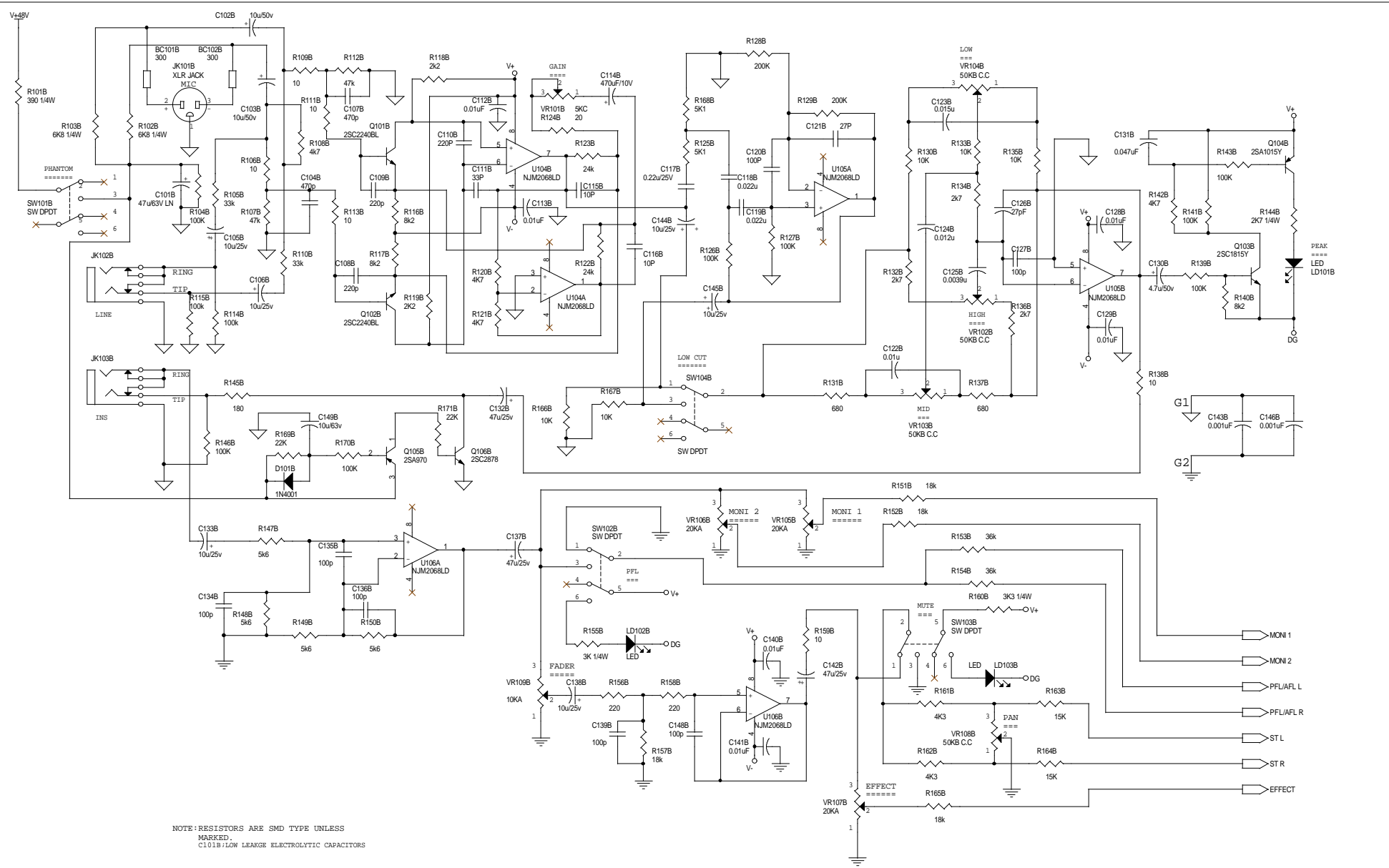


CRATE			
Title	CPM8FX		
Size	Document Number	Rev A	
Custom-Doc> BLOCK			
Date:	Tuesday, November 07, 2000	Sheet	1 of 1



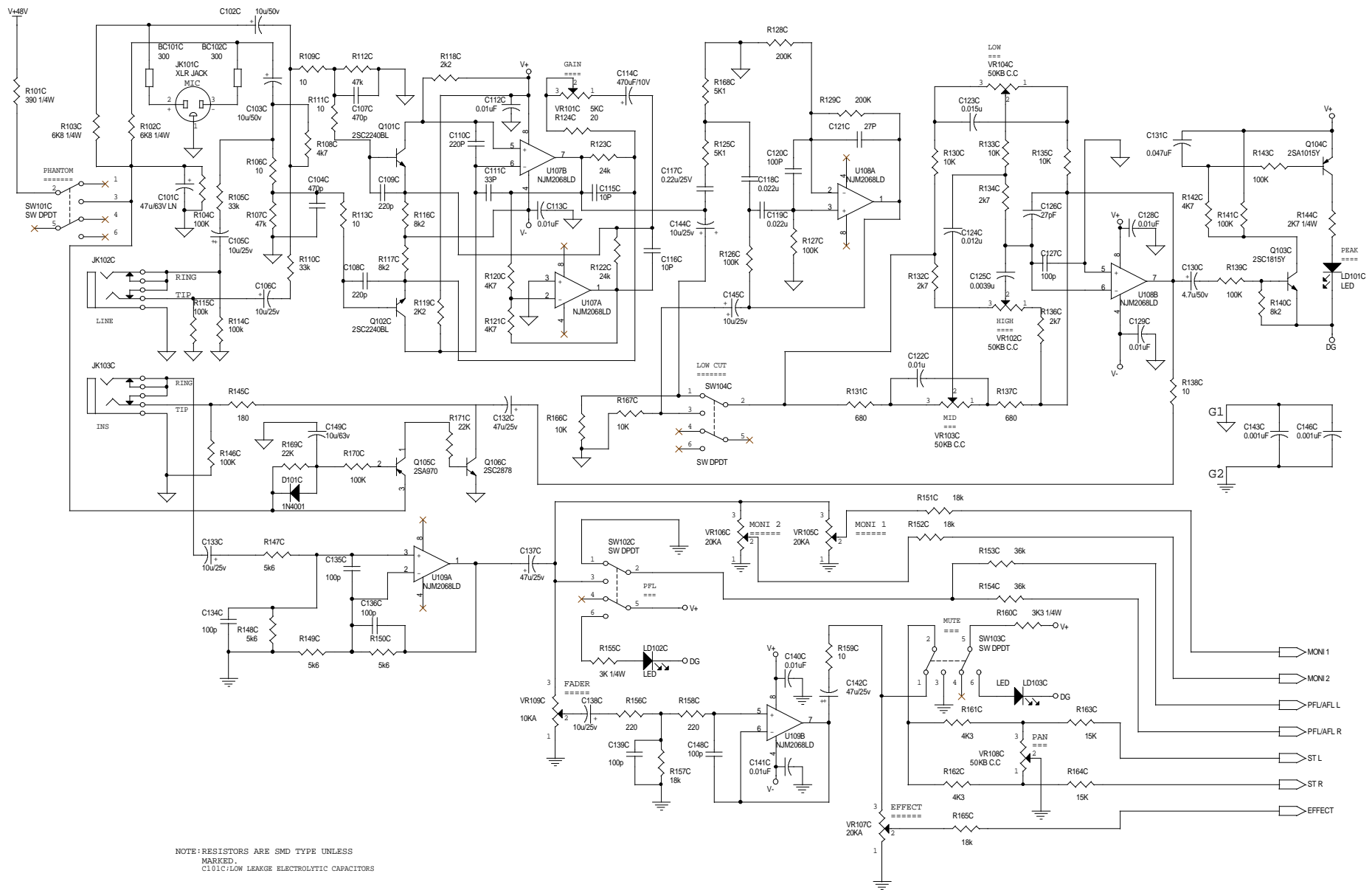
NOTE: RESISTORS ARE SMD TYPE  
UNLESS MARKED.  
C101A: LOW LEAKAGE ELECTROLYTIC CAPACITORS

CRATE			
Title	CPM8FX		
Size	Document Number		Rev
A3	CH1MO.SCH		A
Date:	Tuesday, November 07, 2000	Sheet	1 of 27



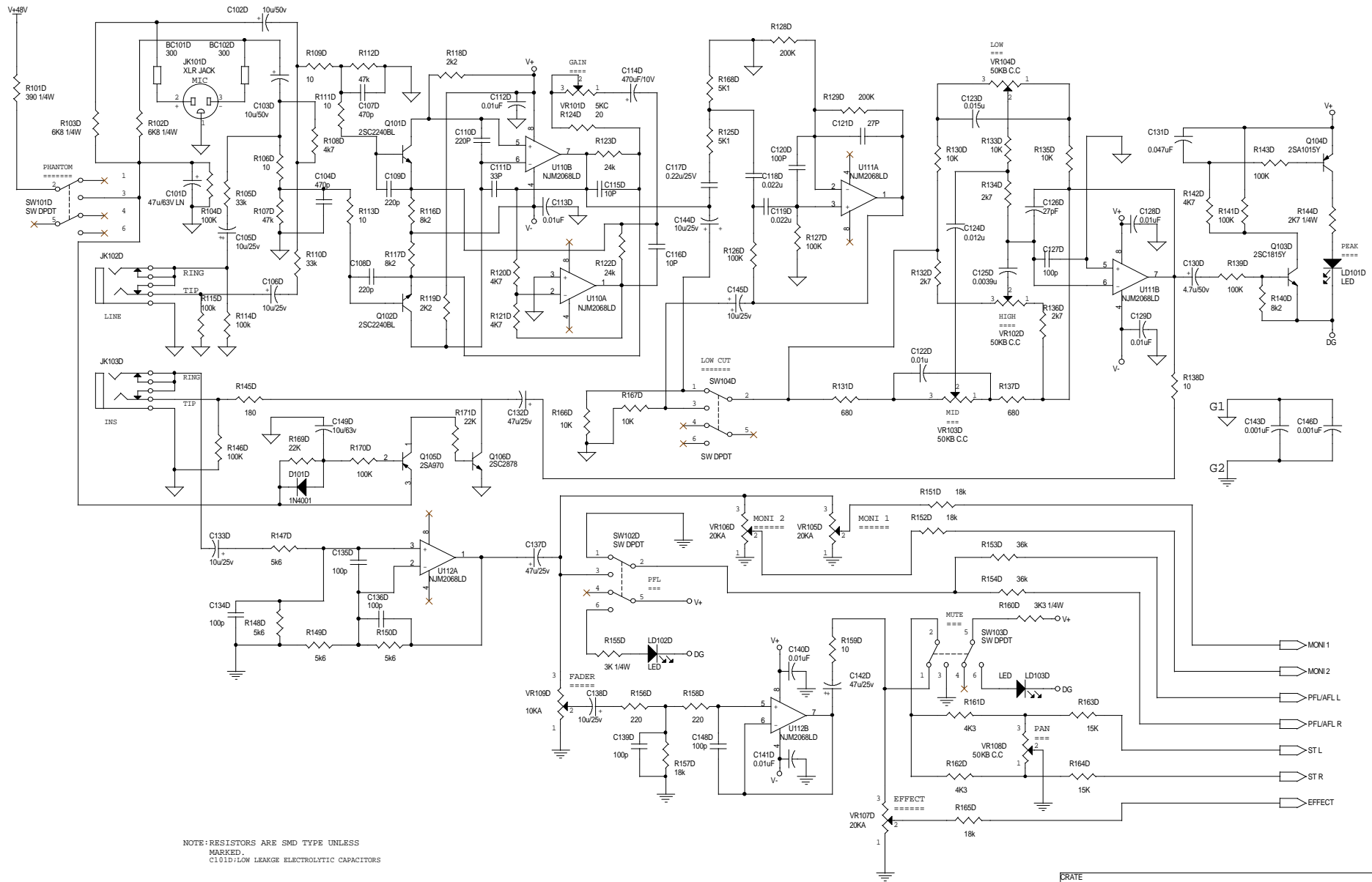
NOTE: RESISTORS ARE SMD TYPE UNLESS  
 MARKED.  
 C101B: LOW LEAKAGE ELECTROLYTIC CAPACITORS

CRATE			
Title CPM6FX			
Size A3	Document Number CH2MO.SCH	Rev A	
Date: Tuesday, November 07, 2000	Sheet 2	of 27	



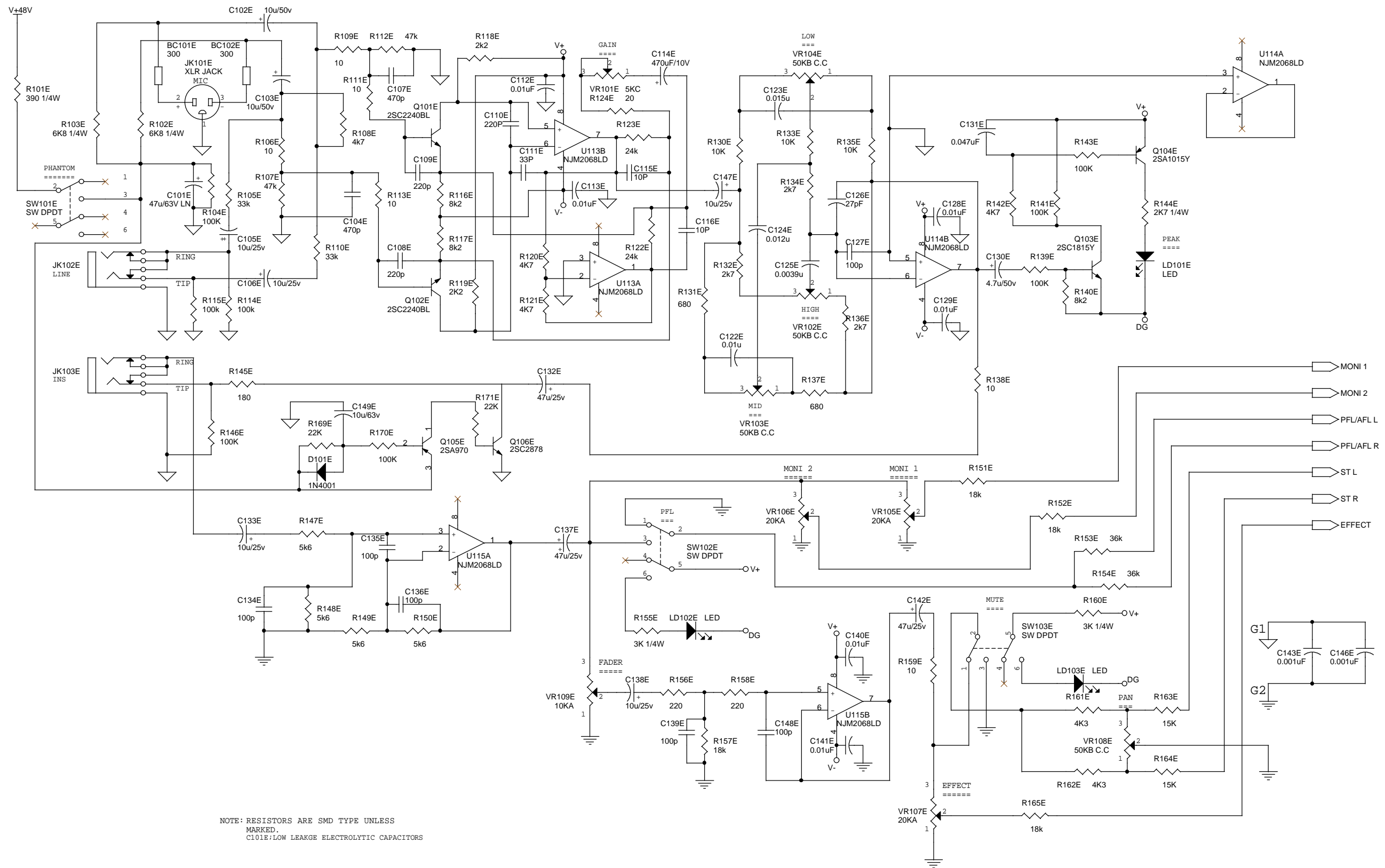
NOTE: RESISTORS ARE SMD TYPE UNLESS MARKED.  
C101C: LOW LEAKAGE ELECTROLYTIC CAPACITORS

CRATE		
Title CPM8FX		
Size A3	Document Number CH3MO.SCH	Rev A
Date: Tuesday, November 07, 2000	Sheet 3	of 27



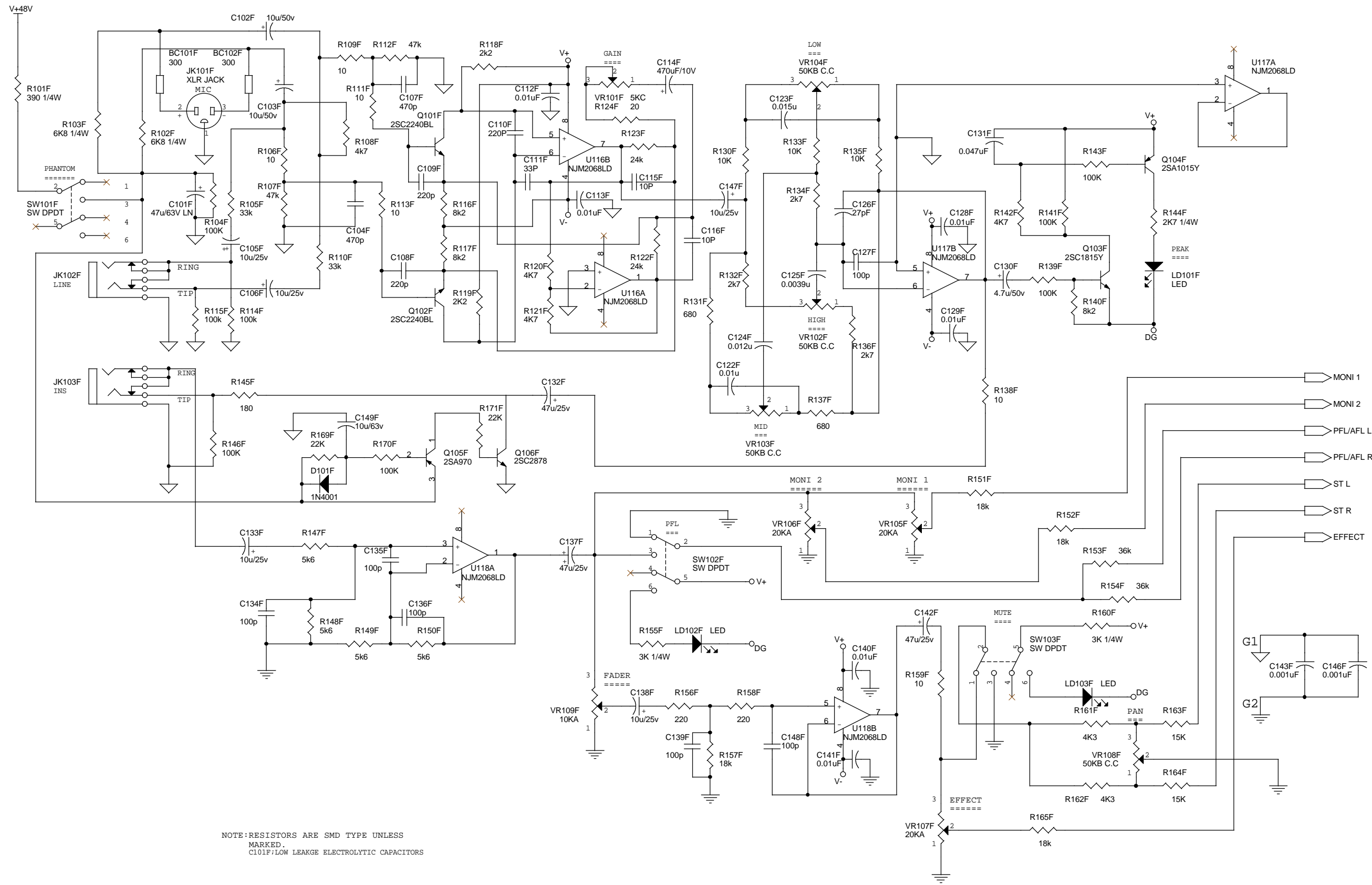
NOTE: RESISTORS ARE SMD TYPE UNLESS MARKED.  
C101D: LOW LEAKAGE ELECTROLYTIC CAPACITORS

CRATE			
Title			
CPM8FX			
Size	Document Number		Rev
A3	CH4MO.SCH		A
Date:	Tuesday, November 07, 2000	Sheet	4 of 27



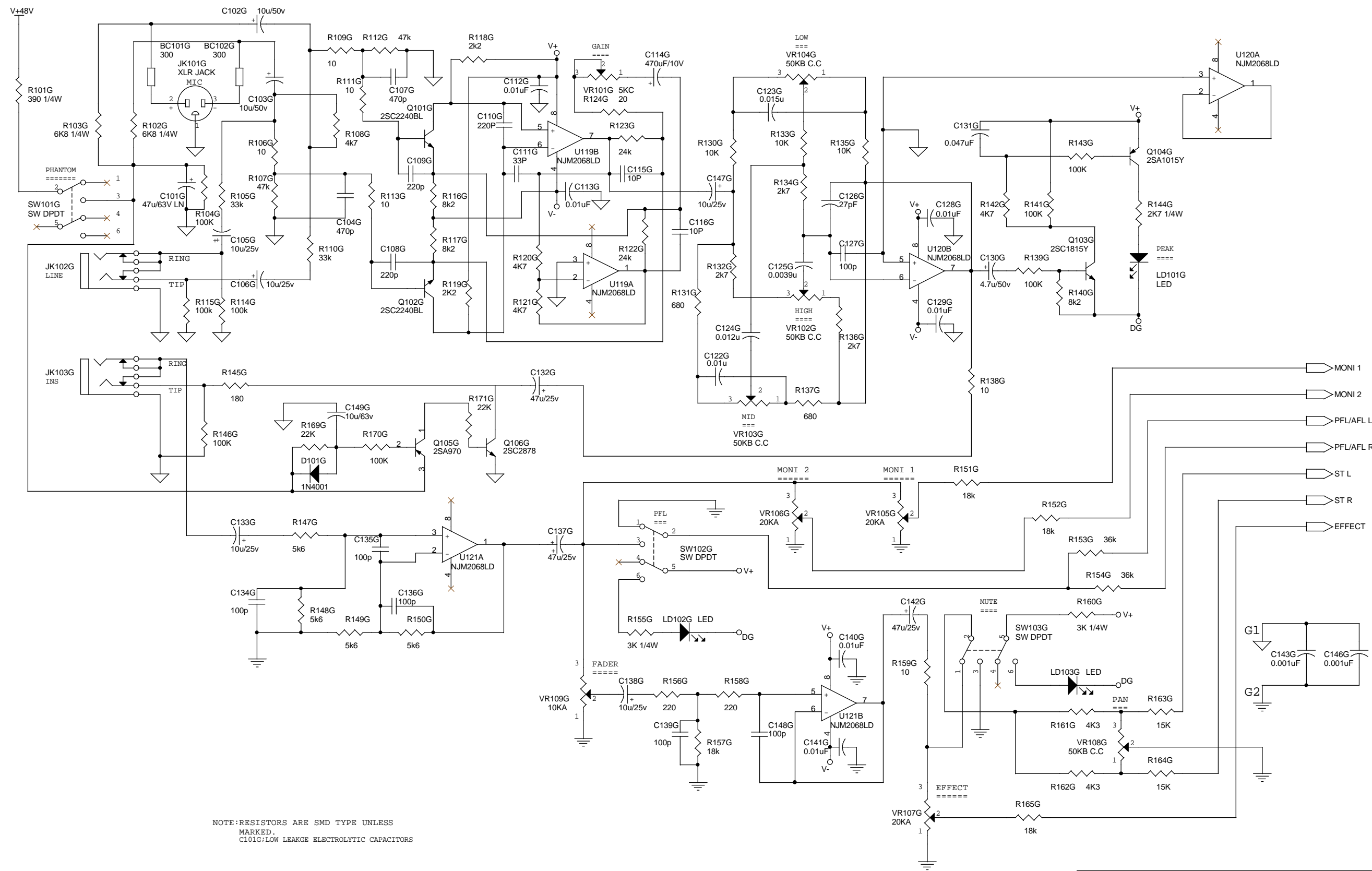
NOTE: RESISTORS ARE SMD TYPE UNLESS MARKED.  
C101E: LOW LEAKAGE ELECTROLYTIC CAPACITORS

CRATE		
Title CPM8FX		
Size A3	Document Number CH5MO.SCH	Rev A
Date: Tuesday, November 07, 2000	Sheet 5	of 27



NOTE: RESISTORS ARE SMD TYPE UNLESS MARKED.  
C101F: LOW LEAKAGE ELECTROLYTIC CAPACITORS

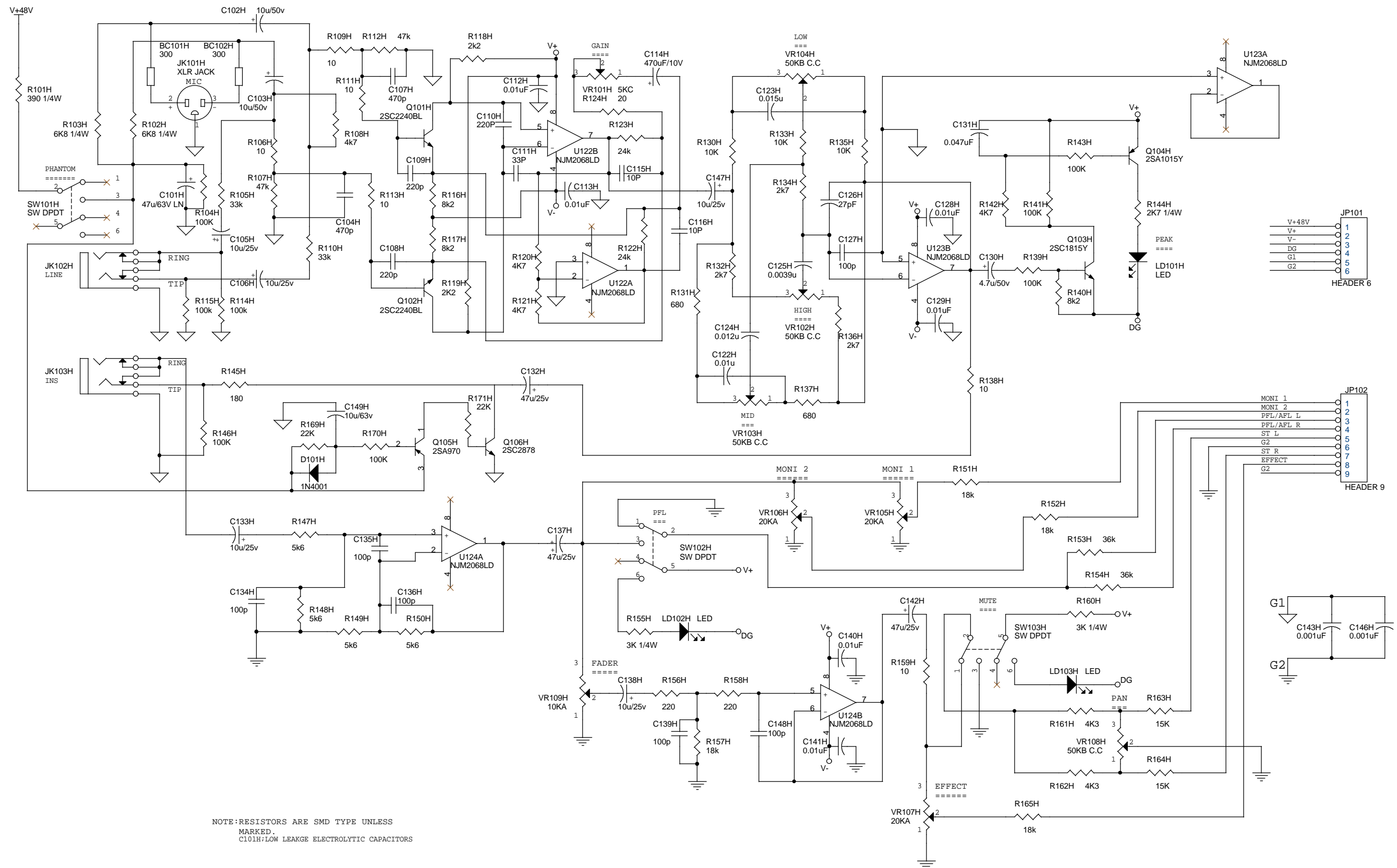
CRATE		
Title CPM8FX		
Size A3	Document Number CH6MO.SCH	Rev A
Date: Tuesday, November 07, 2000	Sheet 6	of 27



NOTE: RESISTORS ARE SMD TYPE UNLESS MARKED.  
C101G: LOW LEAKAGE ELECTROLYTIC CAPACITORS

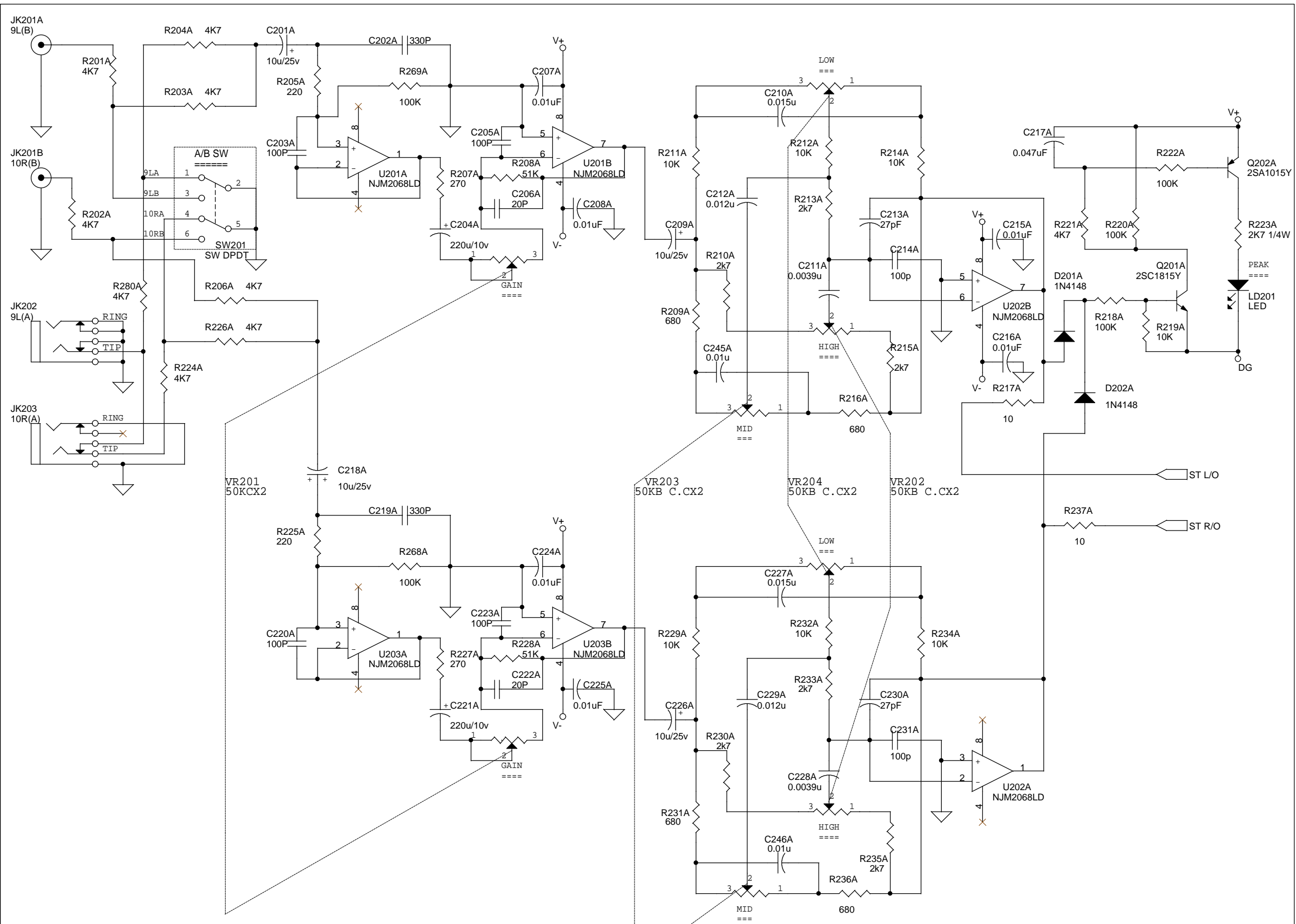
CRATE		
Title CPM8FX		
Size A3	Document Number CH7MO.SCH	Rev A
Date: Tuesday, November 07, 2000	Sheet 7	of 27





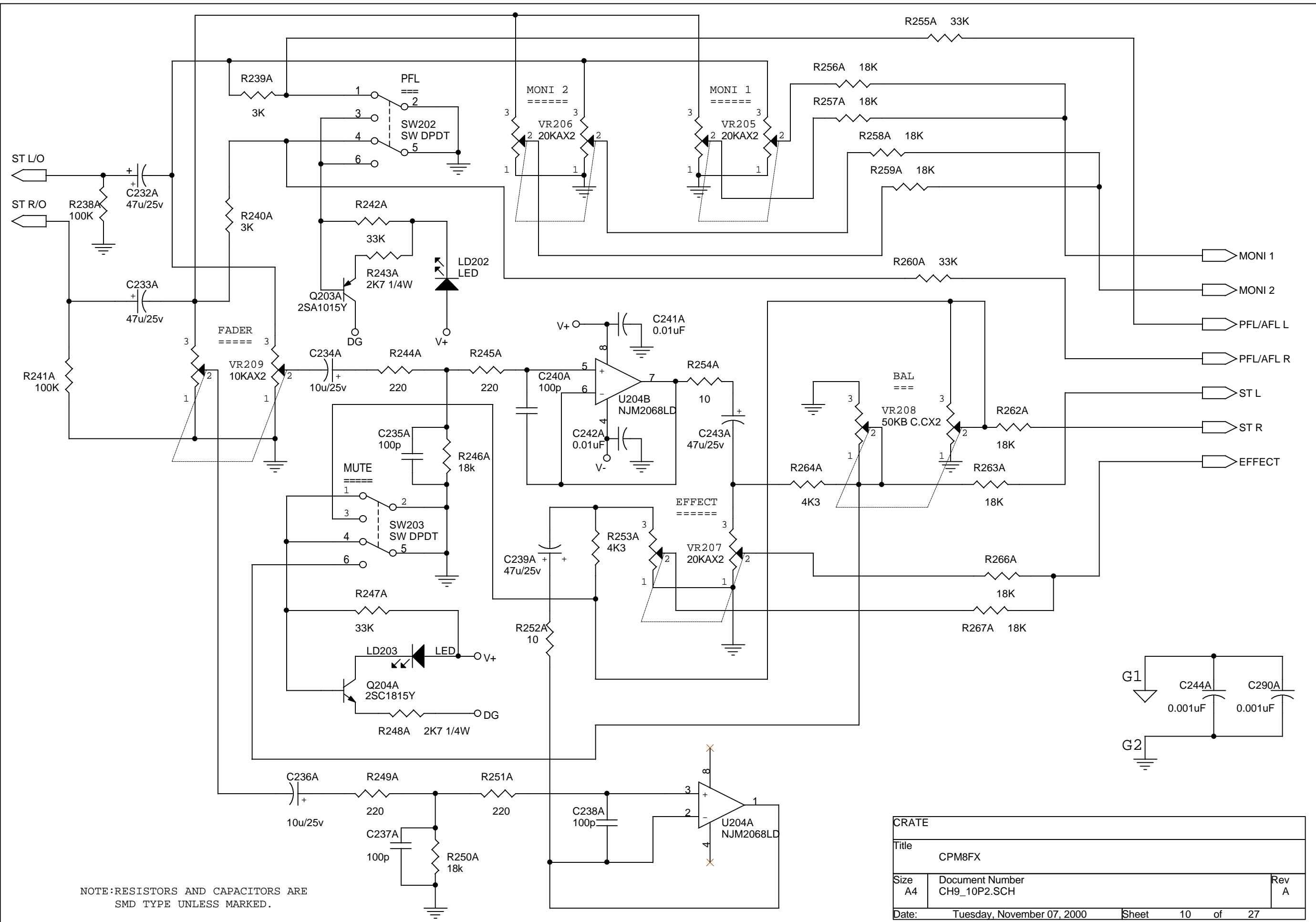
NOTE: RESISTORS ARE SMD TYPE UNLESS MARKED.  
C101H: LOW LEAKAGE ELECTROLYTIC CAPACITORS

CRATE		
Title CPM8FX		
Size A3	Document Number CH8MO.SCH	Rev A
Date: Tuesday, November 07, 2000	Sheet 8	of 27



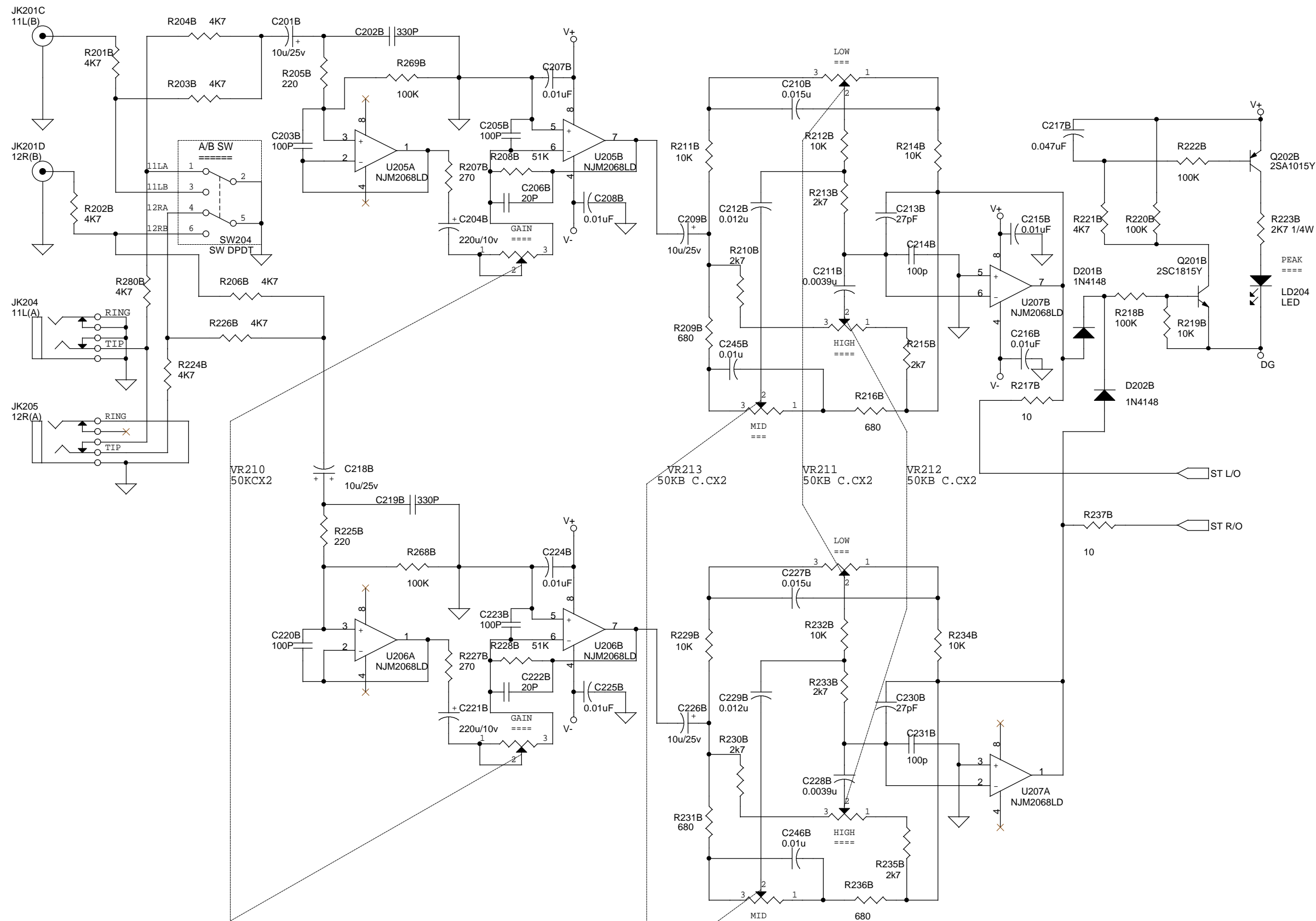
NOTE: RESISTORS AND CAPACITORS ARE SMD TYPE UNLESS MARKED.

Custom	CRATE	
Title	CPM8FX	
Size	Document Number	Rev
	CH9_10P1.SCH	A
Date:	Tuesday, November 07, 2000	Sheet 9 of 27



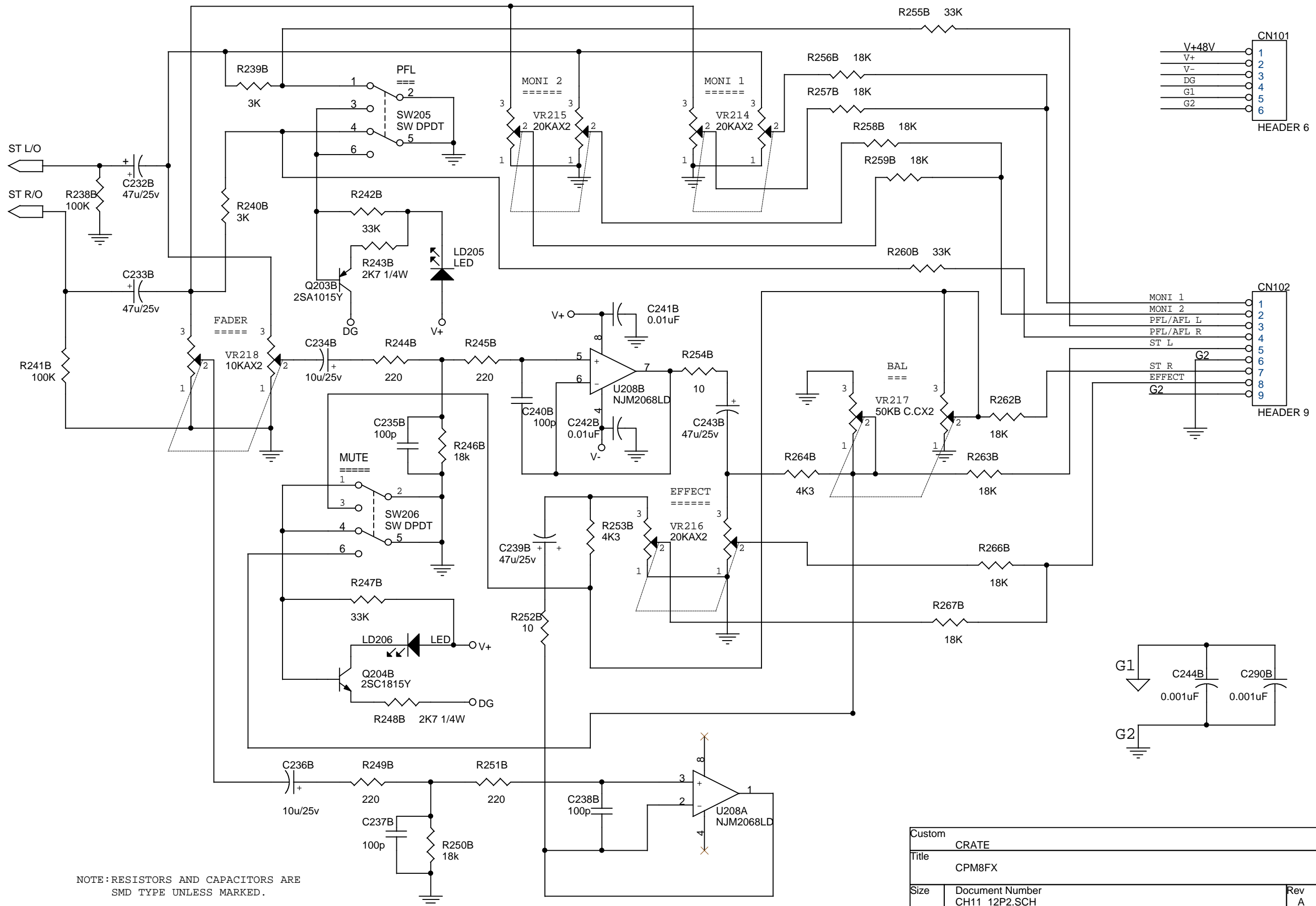
NOTE: RESISTORS AND CAPACITORS ARE SMD TYPE UNLESS MARKED.

CRATE		
Title CPM8FX		
Size A4	Document Number CH9_10P2.SCH	Rev A
Date: Tuesday, November 07, 2000	Sheet 10	of 27



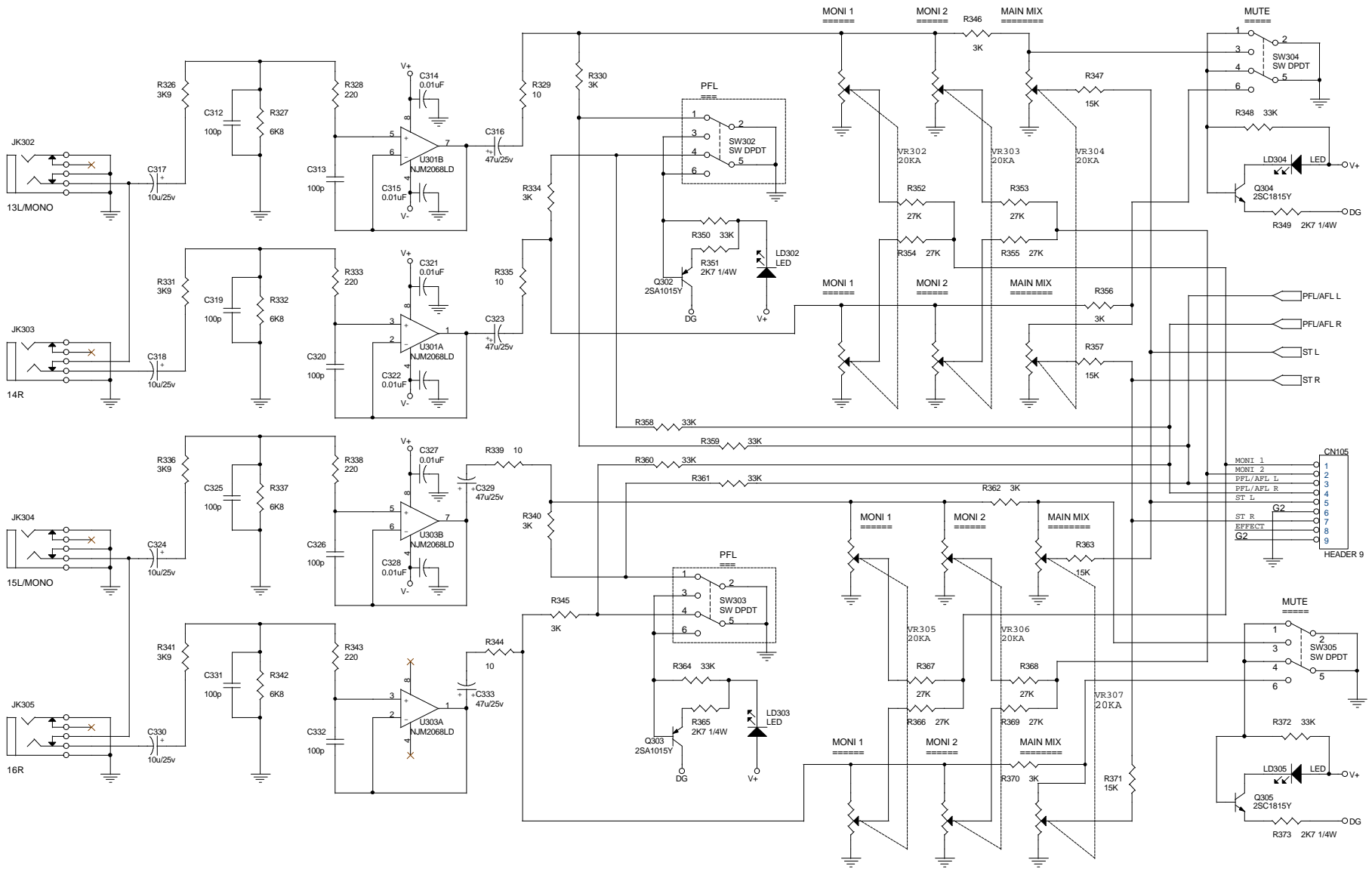
NOTE: RESISTORS AND CAPACITORS ARE SMD TYPE UNLESS MARKED.

Custom	CRATE	
Title	CPM8FX	
Size	Document Number CH11_12P1.SCH	Rev A
Date:	Tuesday, November 07, 2000	Sheet 11 of 27

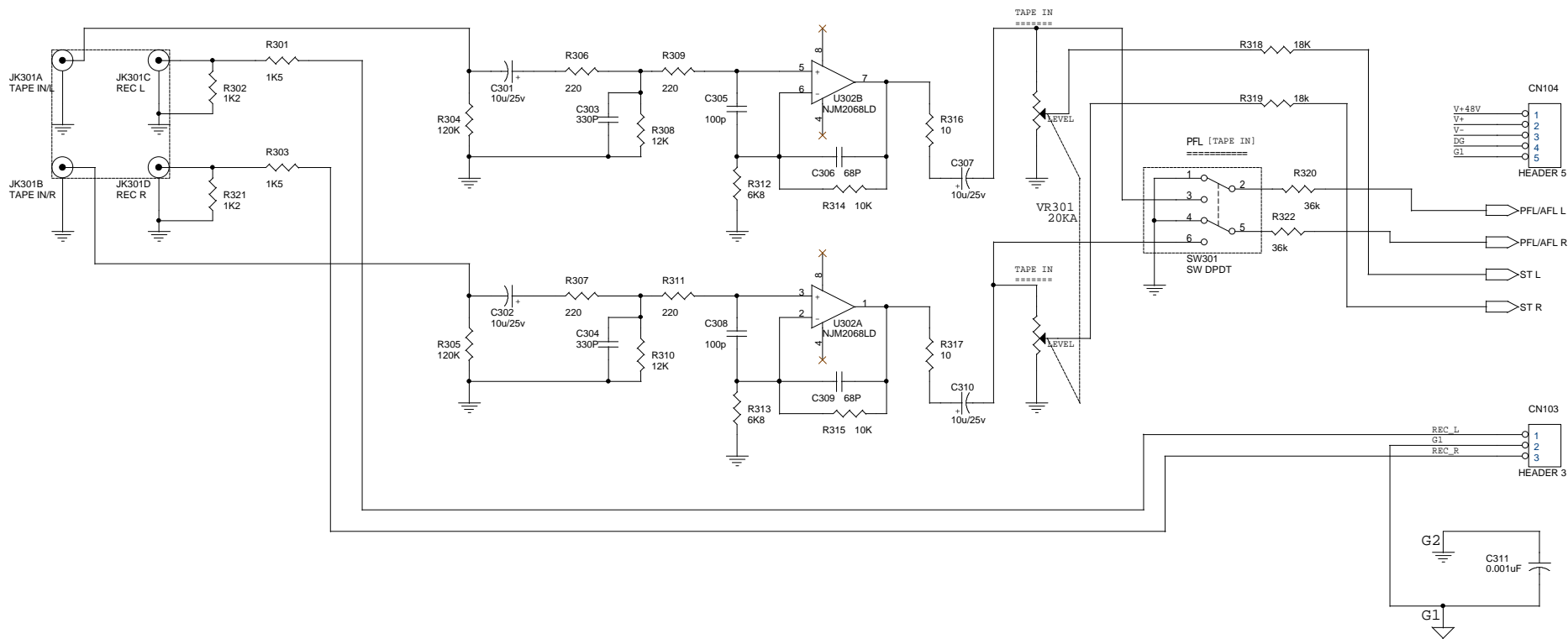


NOTE: RESISTORS AND CAPACITORS ARE SMD TYPE UNLESS MARKED.

Custom	CRATE	
Title	CPM8FX	
Size	Document Number	Rev
	CH11_12P2.SCH	A
Date:	Tuesday, November 07, 2000	Sheet 12 of 27

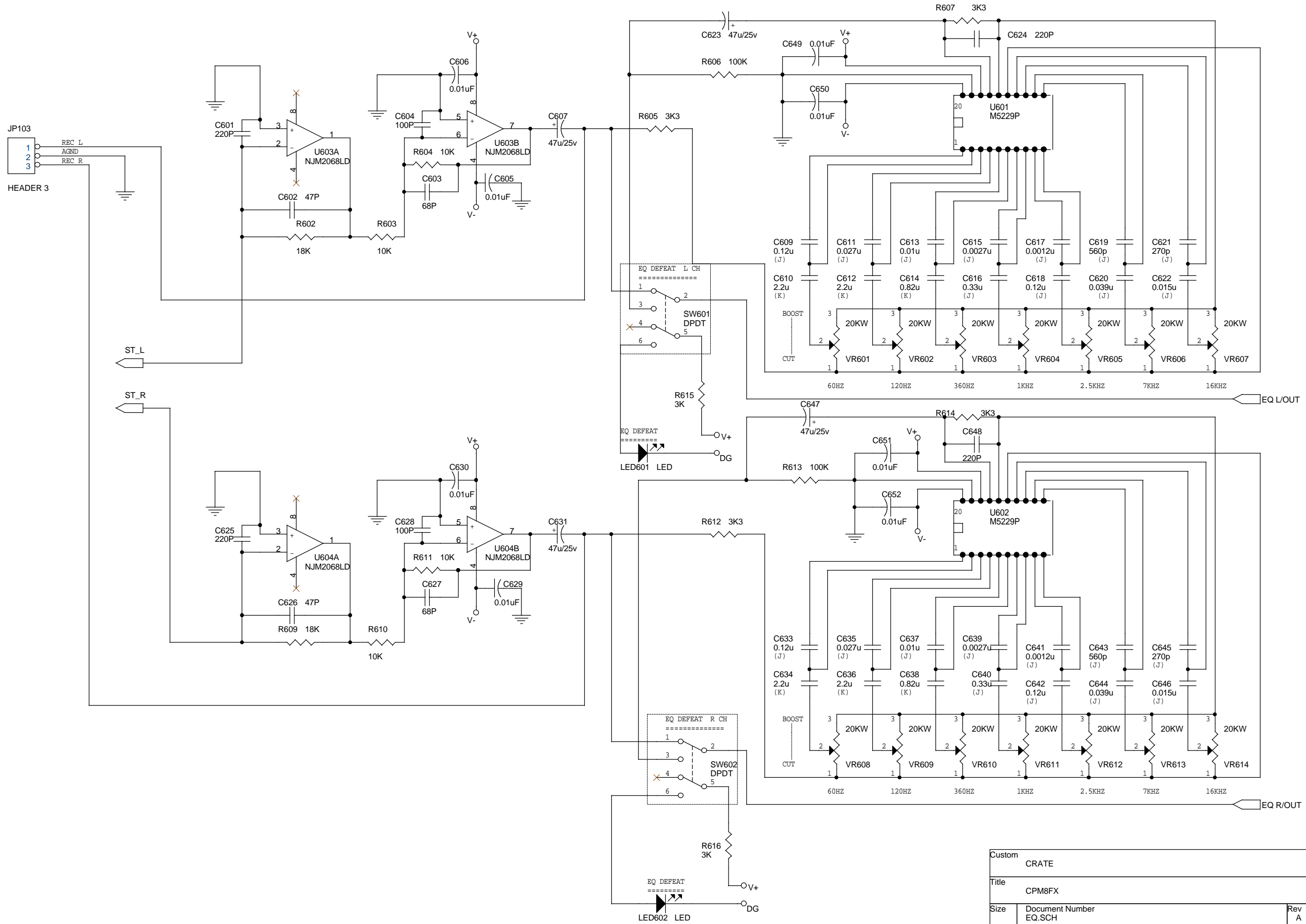


CRATE	
Title CPM8FX	
Size Custom CH13_16.SCH	Document Number Rev A
Date: Tuesday, November 07, 2000	Sheet 13 of 27



NOTE: RESISTORS AND CAPACITORS ARE  
SMD TYPE UNLESS MARKED.

Custom			CRATE
Title			CPM8FX
Size	Document Number	Rev A	
	TAPE.SCH		
Date:	Tuesday, November 07, 2000	Sheet	14 of 27



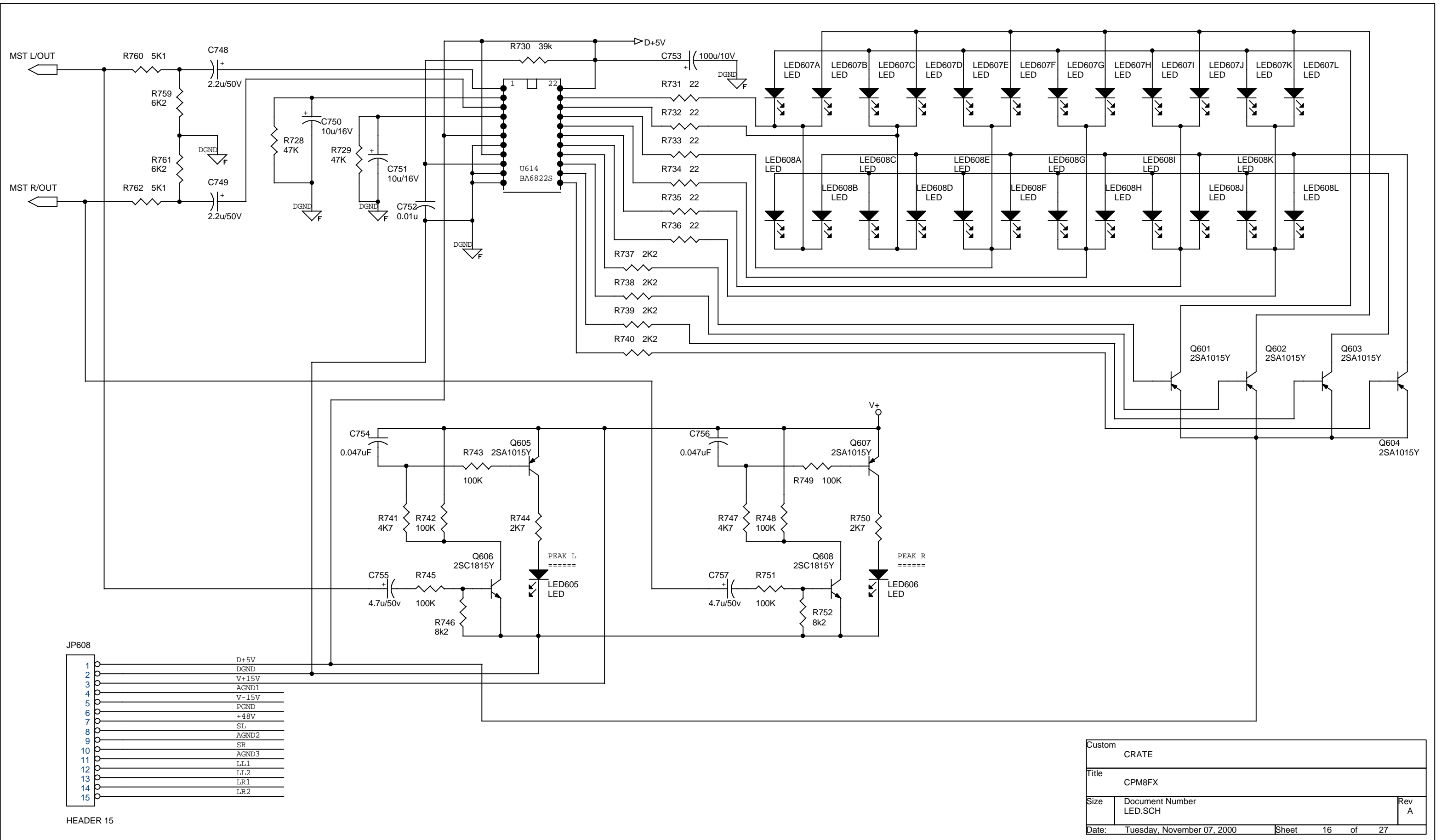
ST\_L  
ST\_R

EQ L/OUT

EQ R/OUT

Custom		
CRATE		
Title		
CPM8FX		
Size	Document Number	Rev
	EQ.SCH	A
Date:	Tuesday, November 07, 2000	Sheet 15 of 27



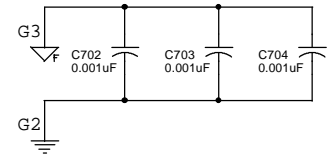
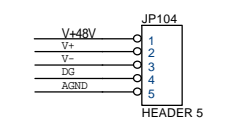
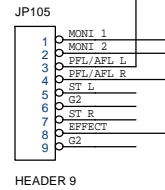
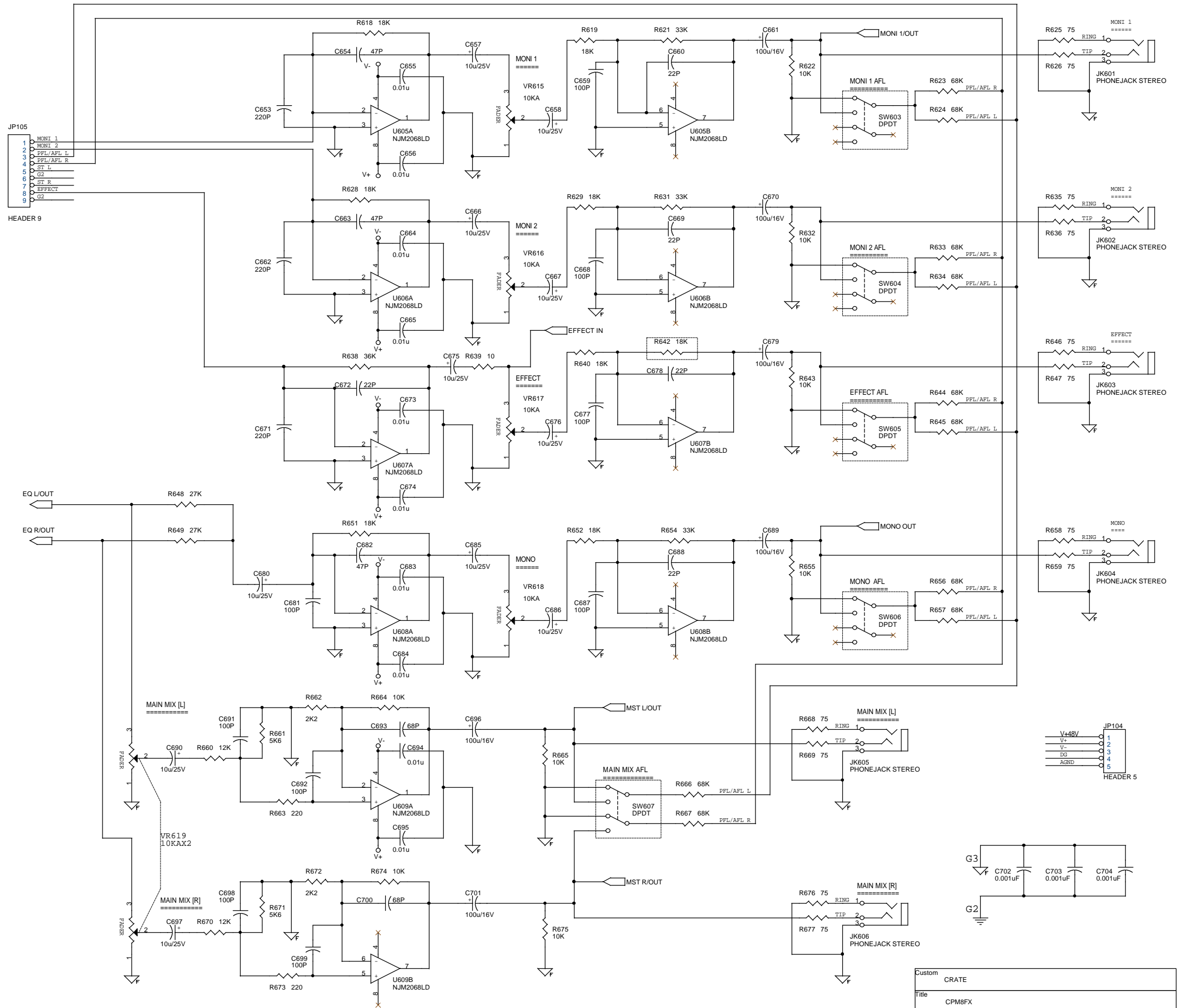


JP608

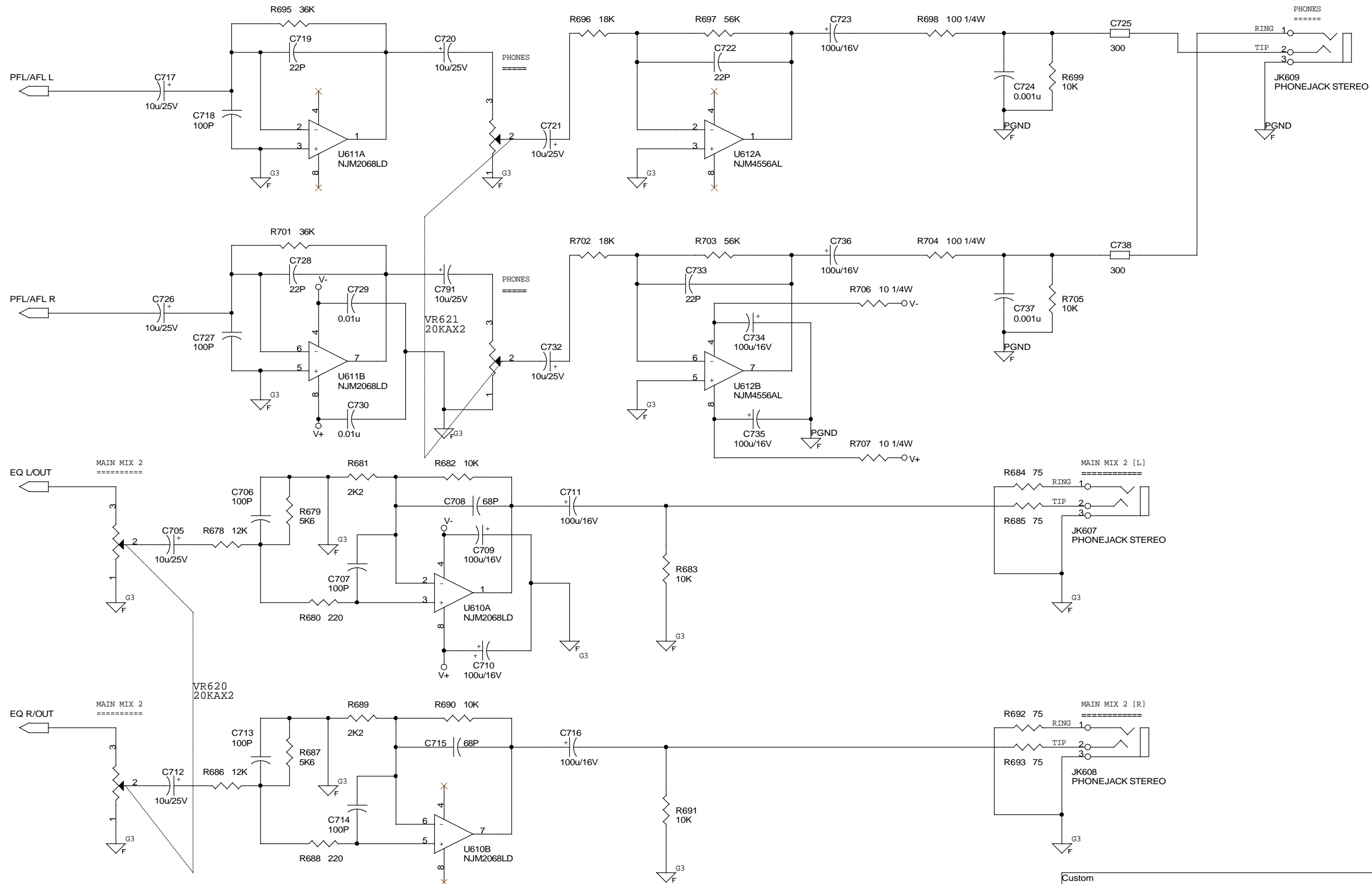
1	D+5V
2	DGND
3	V+15V
4	AGND1
5	V-15V
6	PGND
7	+48V
8	SL
9	AGND2
10	SR
11	AGND3
12	LL1
13	LL2
14	LR1
15	LR2

HEADER 15

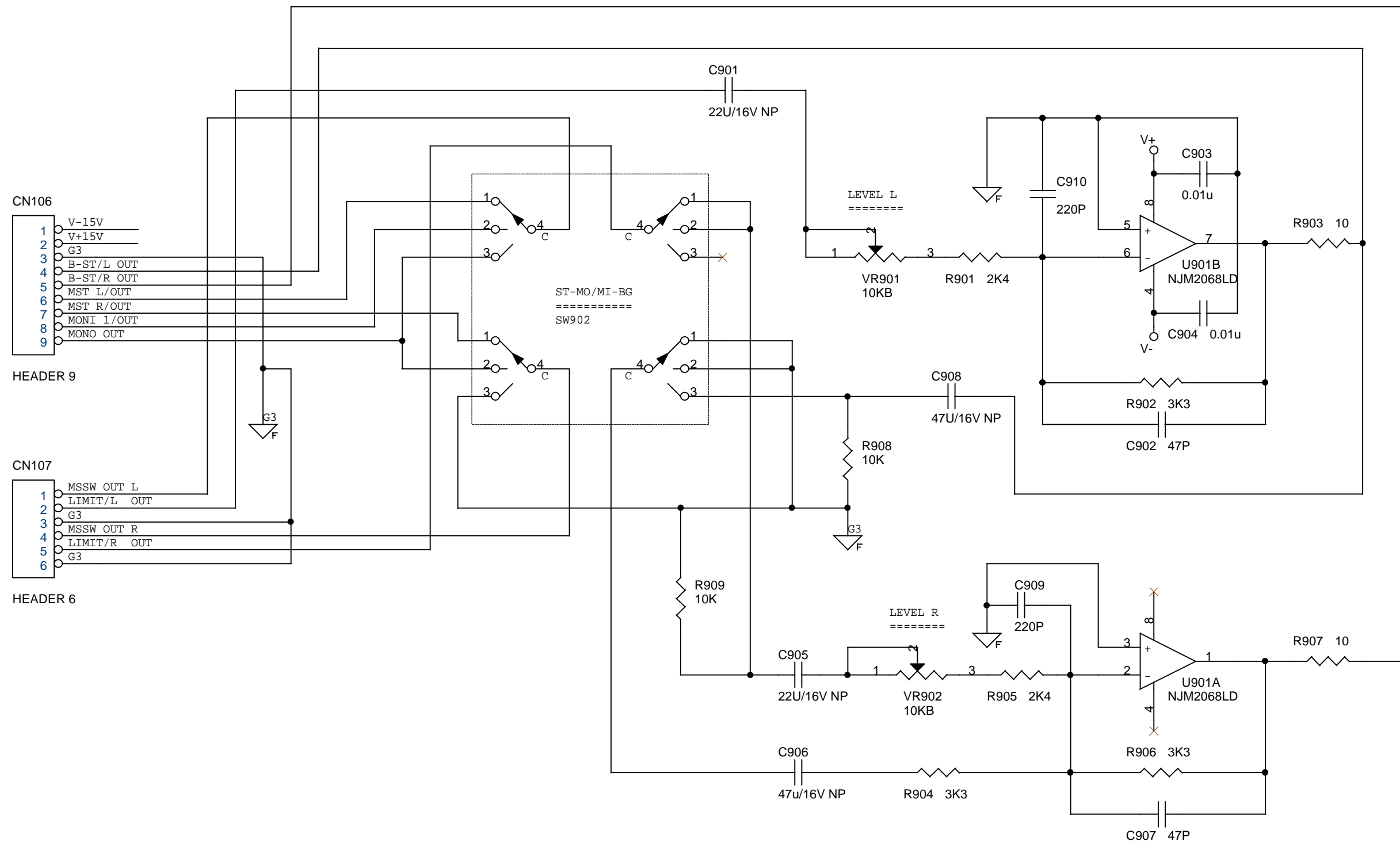
Custom	
CRATE	
Title	
CPM8FX	
Size	Document Number
	LED.SCH
Date:	Tuesday, November 07, 2000
Sheet	16 of 27
Rev	A



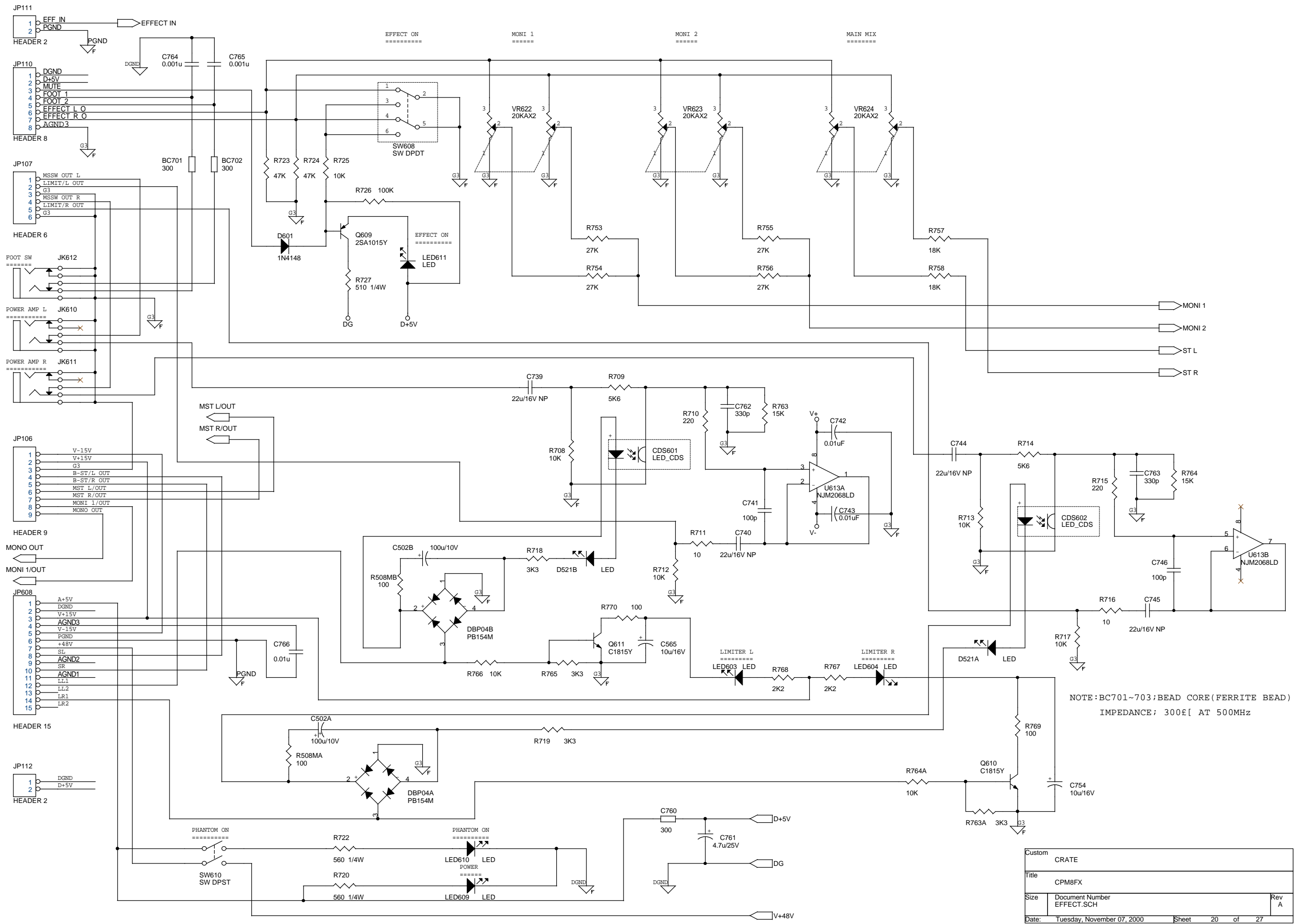
Custom	CRATE
Title	CPM8FX
Size	Document Number MASTER_1.SCH
Date	Tuesday, November 07, 2000
Sheet	17 of 27
Rev	A



Custom	
CRATE	
Title	
CPM8FX	
Size	Document Number
	Phones.SCH
Date:	Tuesday, November 07, 2000
Sheet	18 of 27
	Rev A

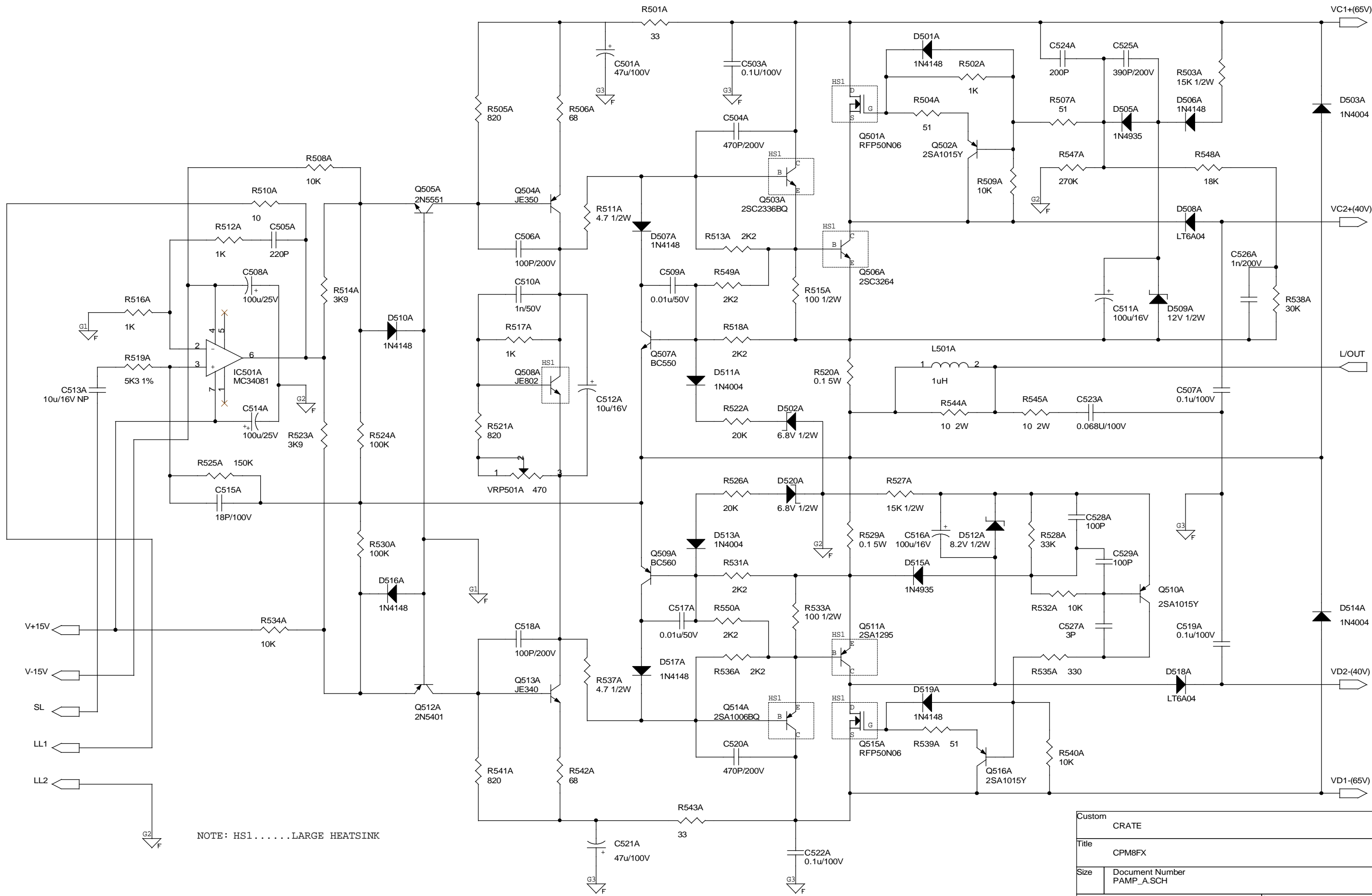


CRATE		
Title CPM8FX		
Size A4	Document Number BACKPCB.SCH	Rev A
Date: Tuesday, November 07, 2000	Sheet 19	of 27



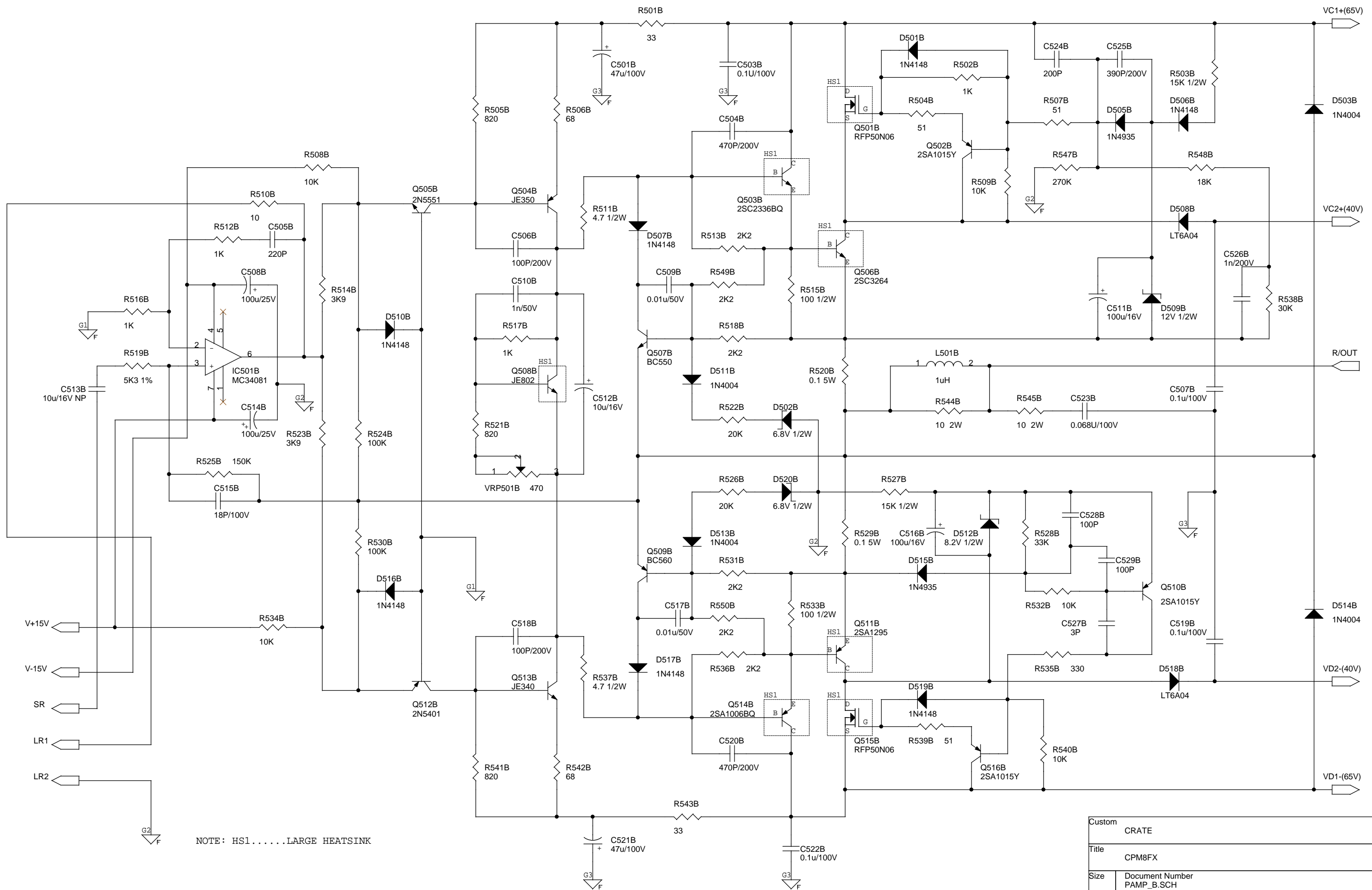
NOTE: BC701~703; BEAD CORE (FERRITE BEAD)  
 IMPEDANCE; 300Ω AT 500MHz

Custom		
CRATE		
Title		
CPM8FX		
Size	Document Number	Rev
EFFECT.SCH		A
Date:	Tuesday, November 07, 2000	Sheet 20 of 27



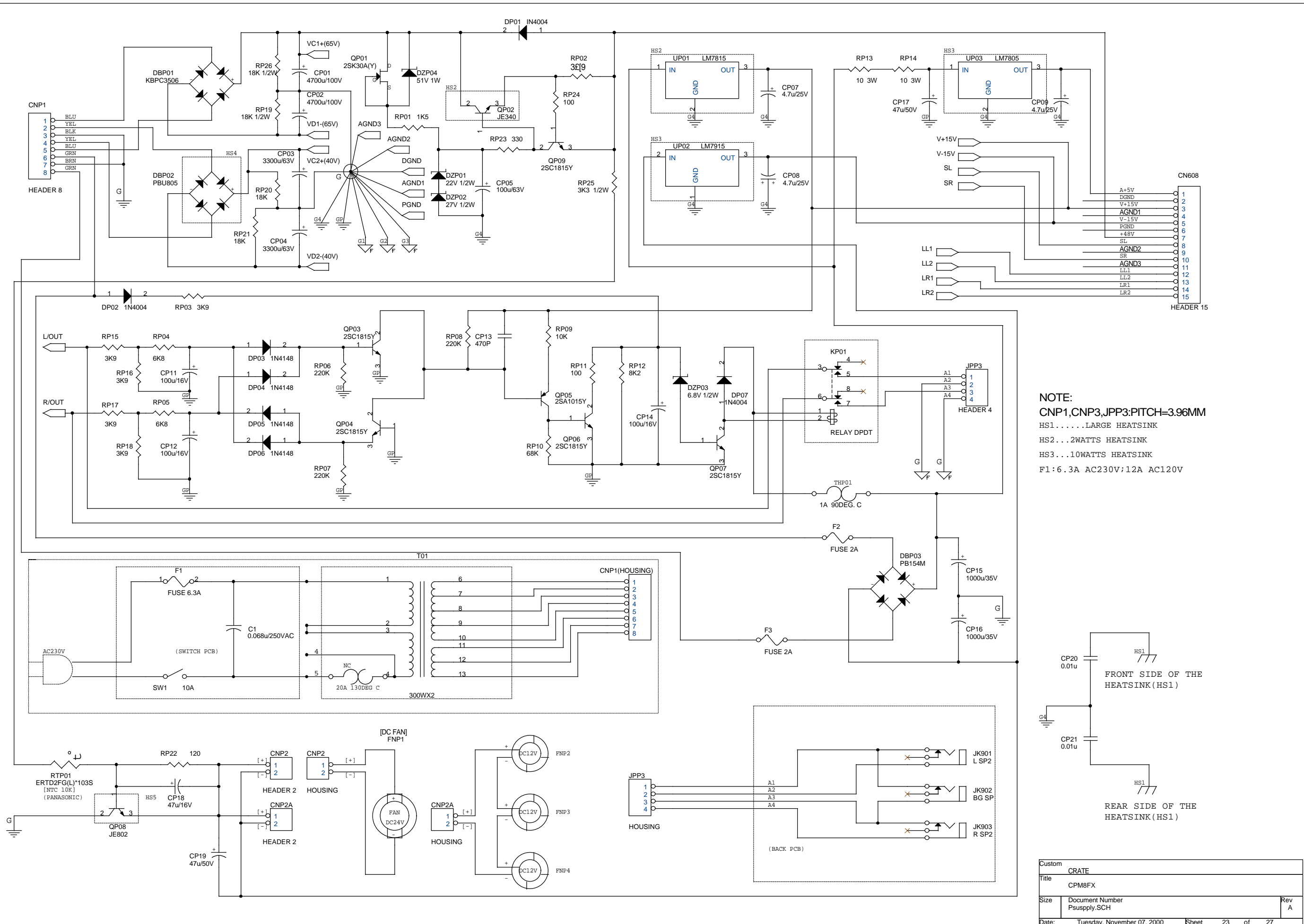
NOTE: HS1 . . . . .LARGE HEATSINK

Custom		CRATE	
Title		CPM8FX	
Size	Document Number	Rev	
	PAMP_A_SCH	A	
Date:	Tuesday, November 07, 2000	Sheet	21 of 27

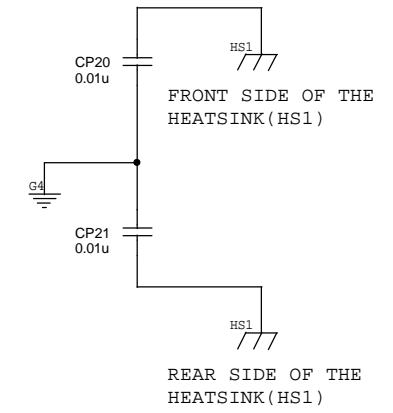


NOTE: HS1.....LARGE HEATSINK

Custom	CRATE		
Title	CPM8FX		
Size	Document Number		Rev
	PAMP_B.SCH		A
Date:	Tuesday, November 07, 2000	Sheet	22 of 27

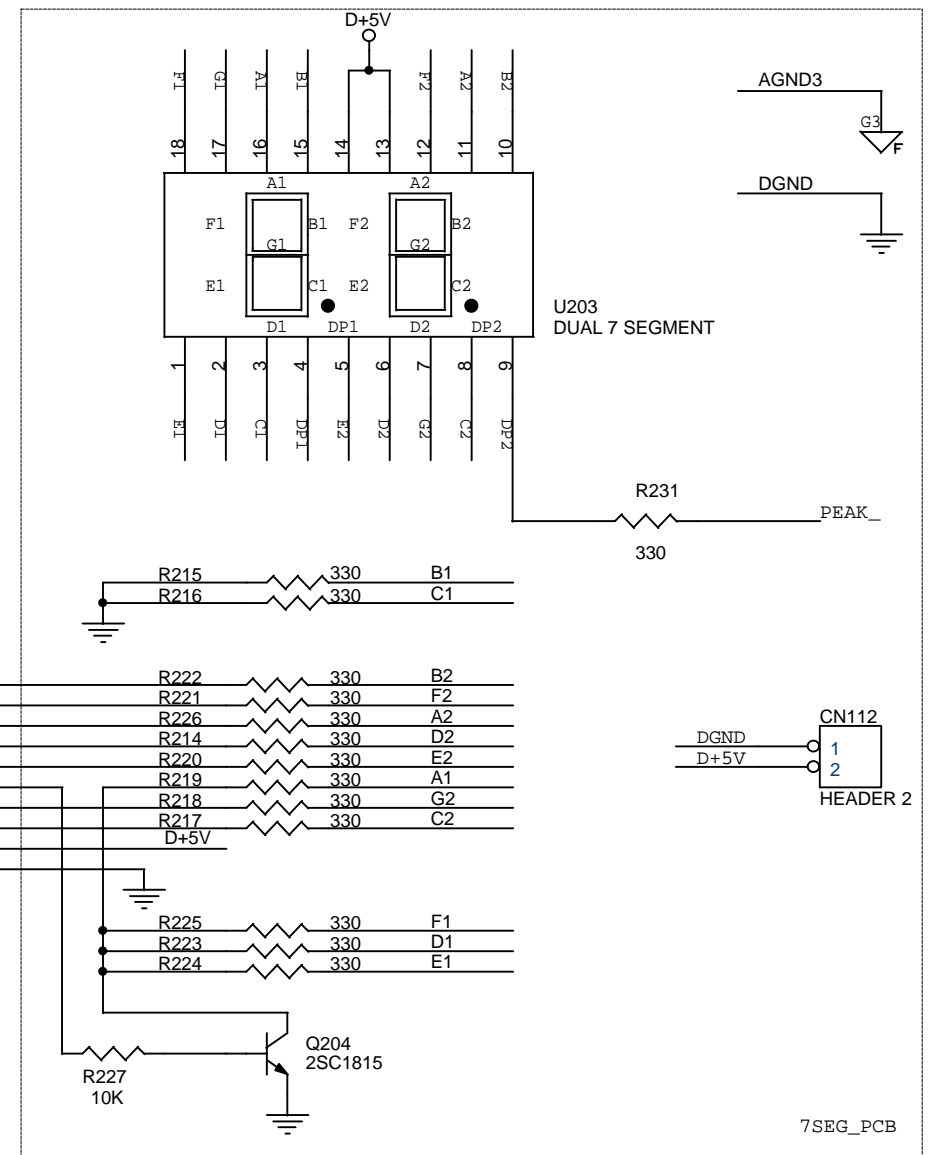
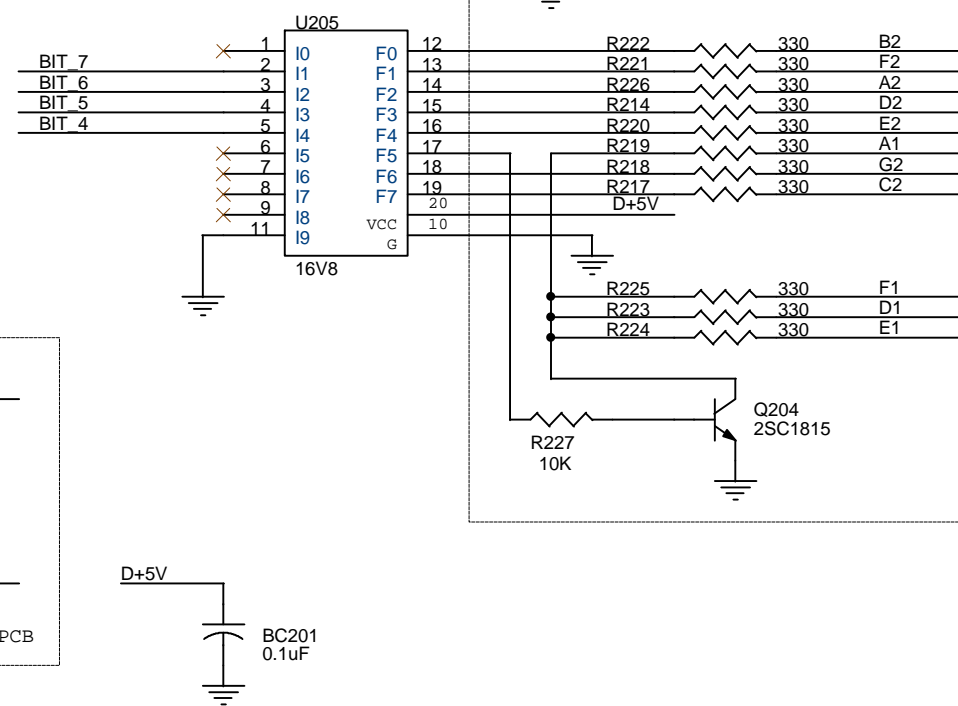
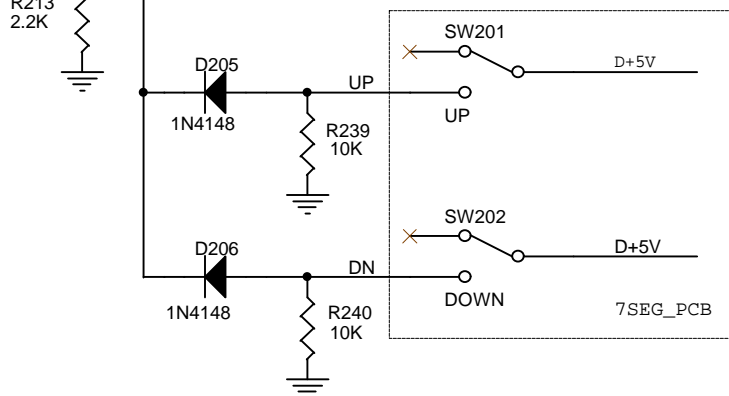
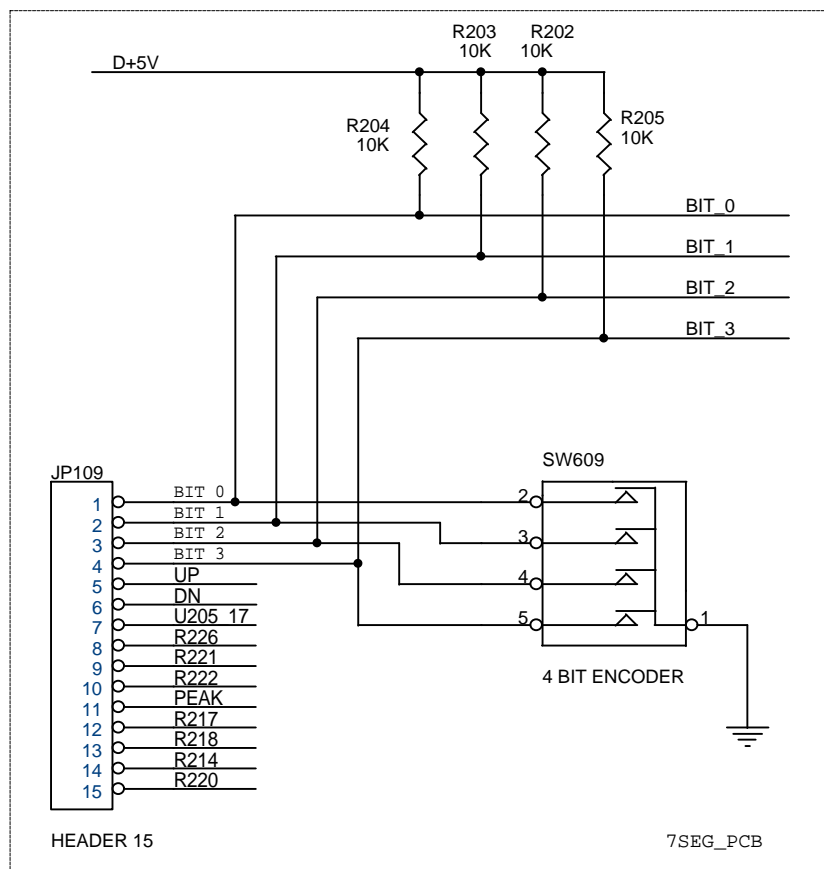
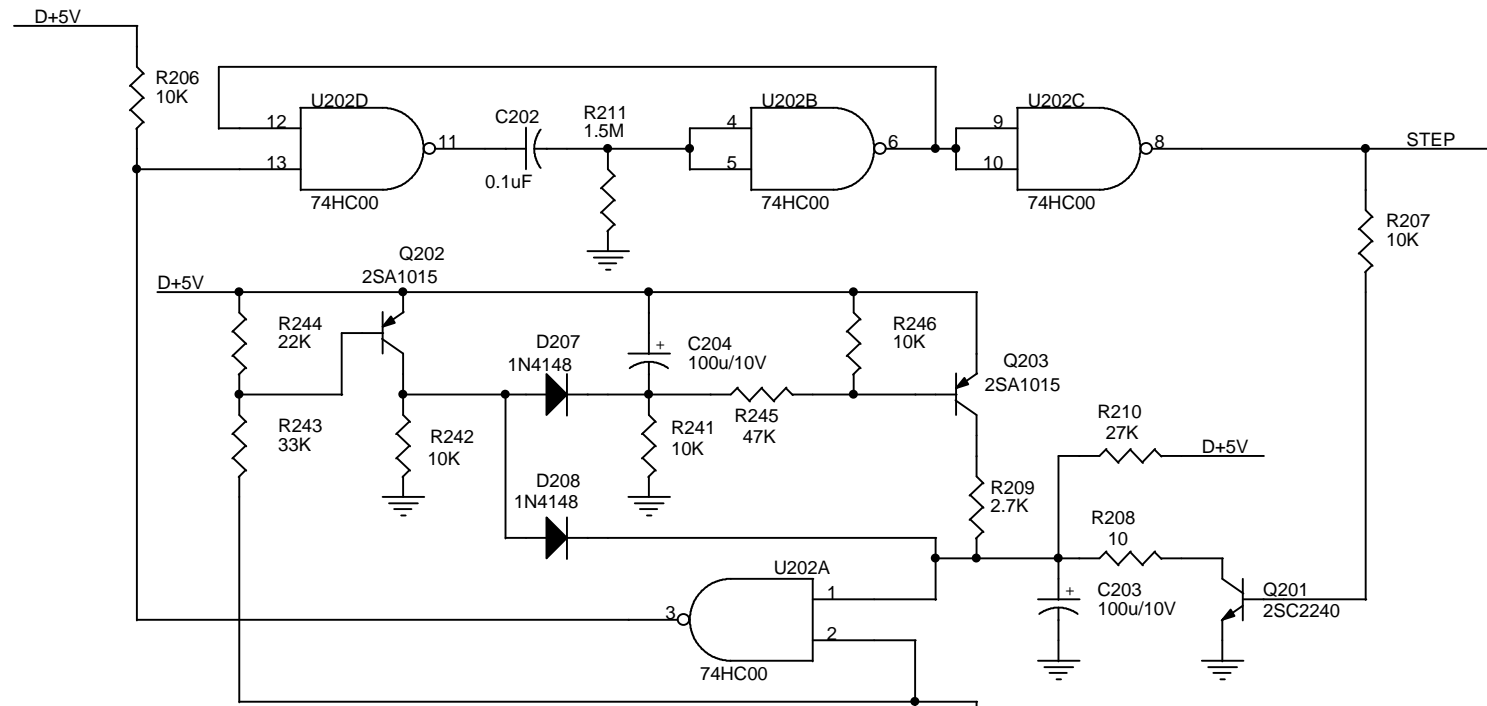


**NOTE:**  
 CNP1,CNP3,JPP3:PITCH=3.96MM  
 HS1.....LARGE HEATSINK  
 HS2...2WATTS HEATSINK  
 HS3...10WATTS HEATSINK  
 F1:6.3A AC230V;12A AC120V

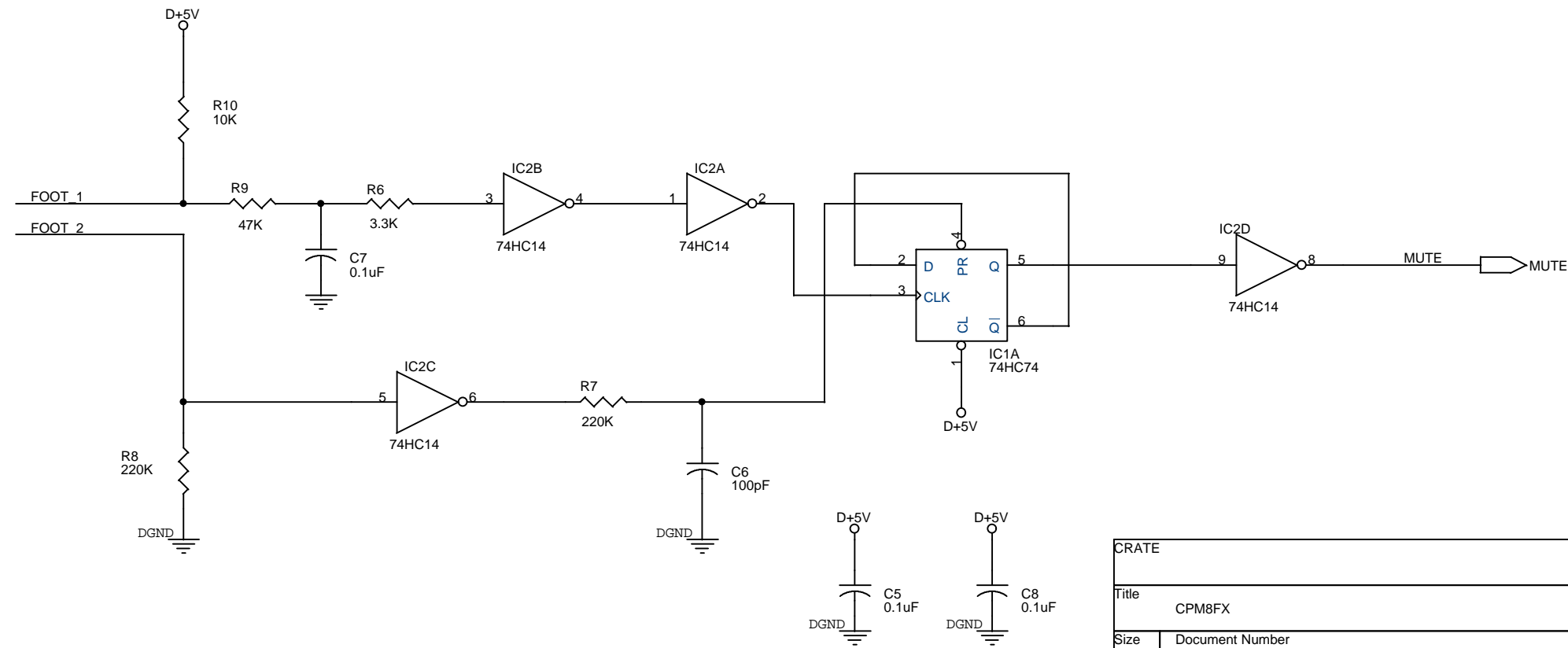
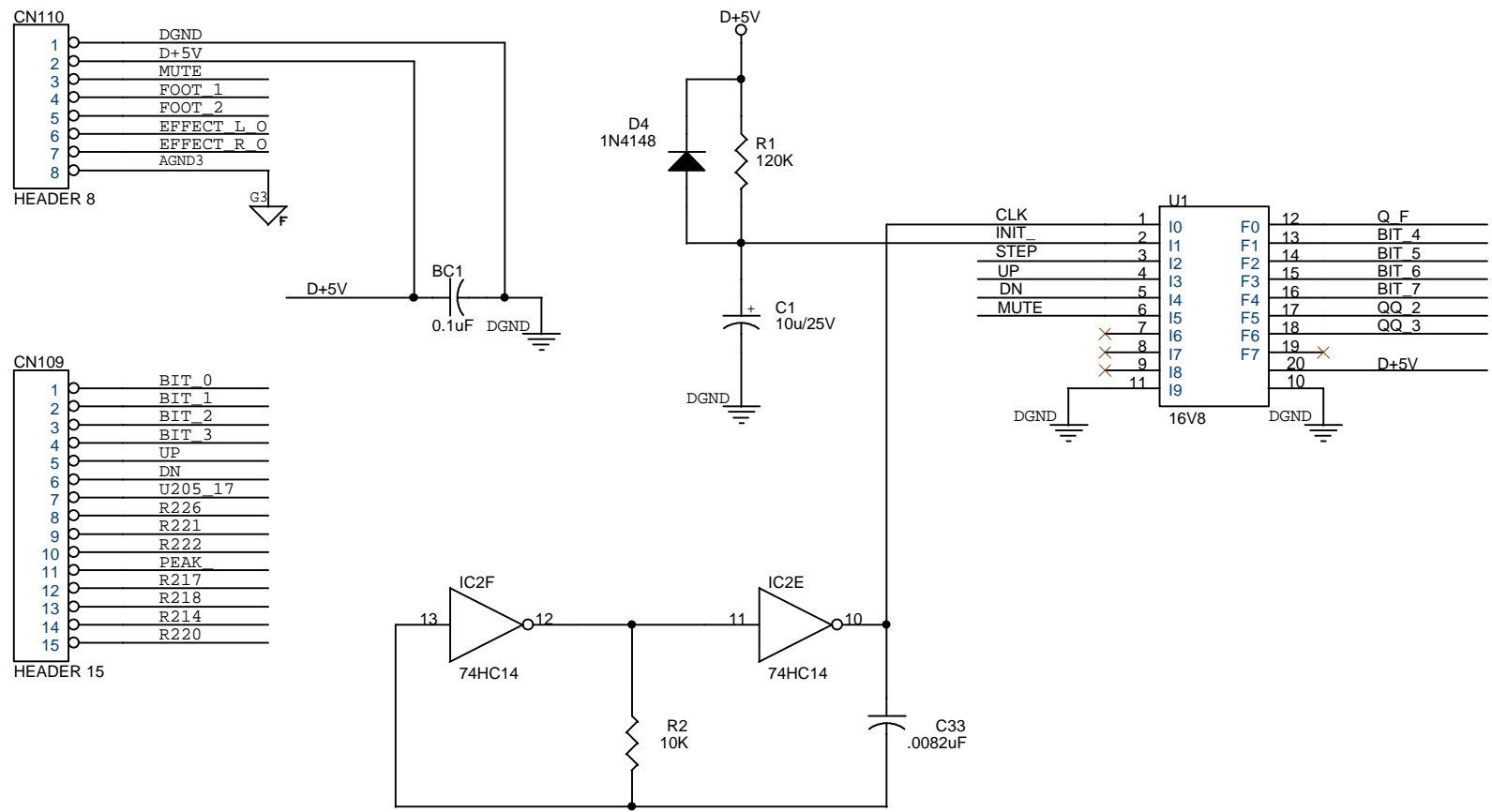


Custom	CRATE		
Title	CPM8FX		
Size	Document Number	Rev	
	Psupply.SCH	A	
Date:	Tuesday, November 07, 2000	Sheet	23 of 27

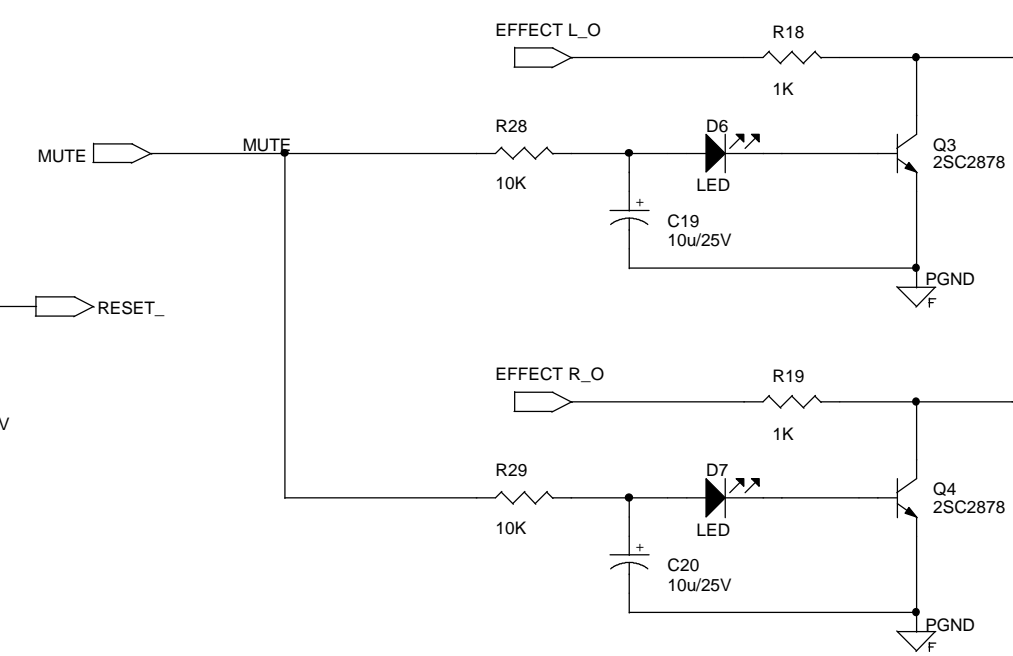
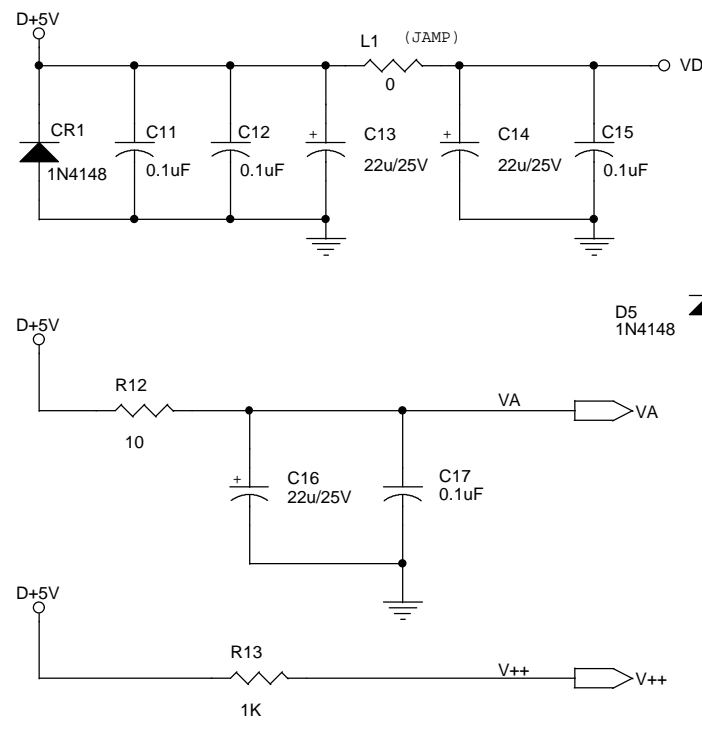
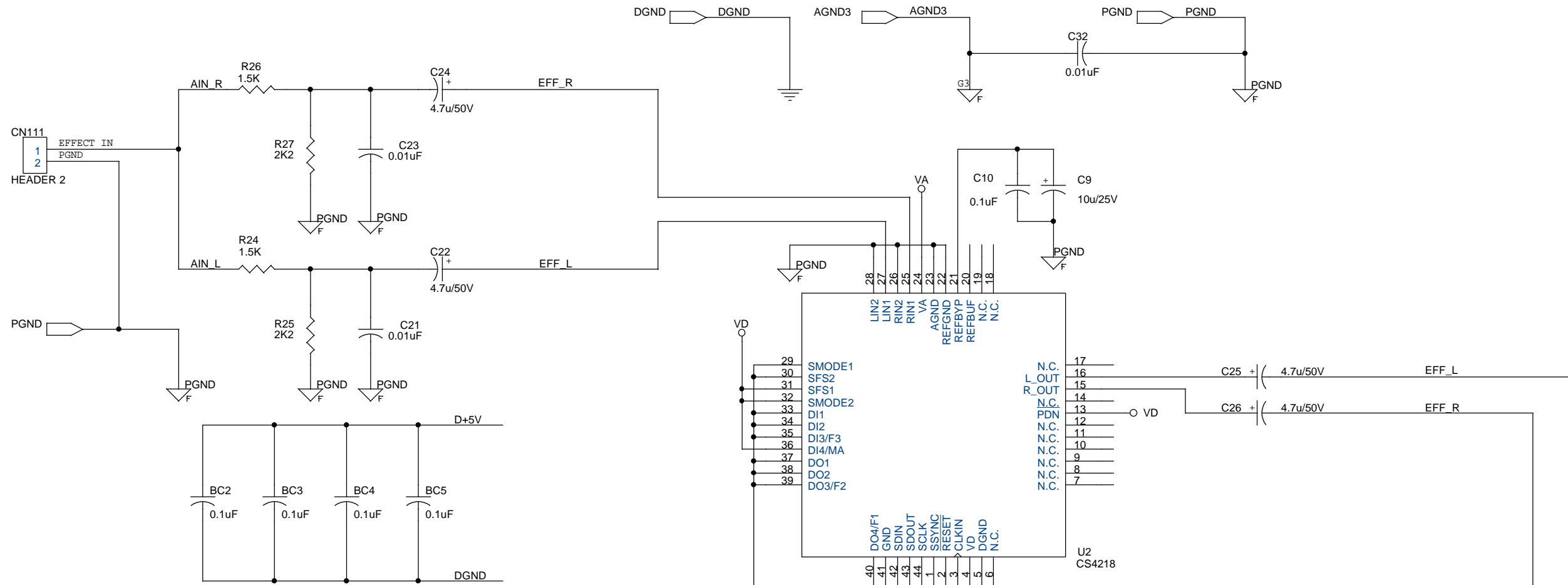




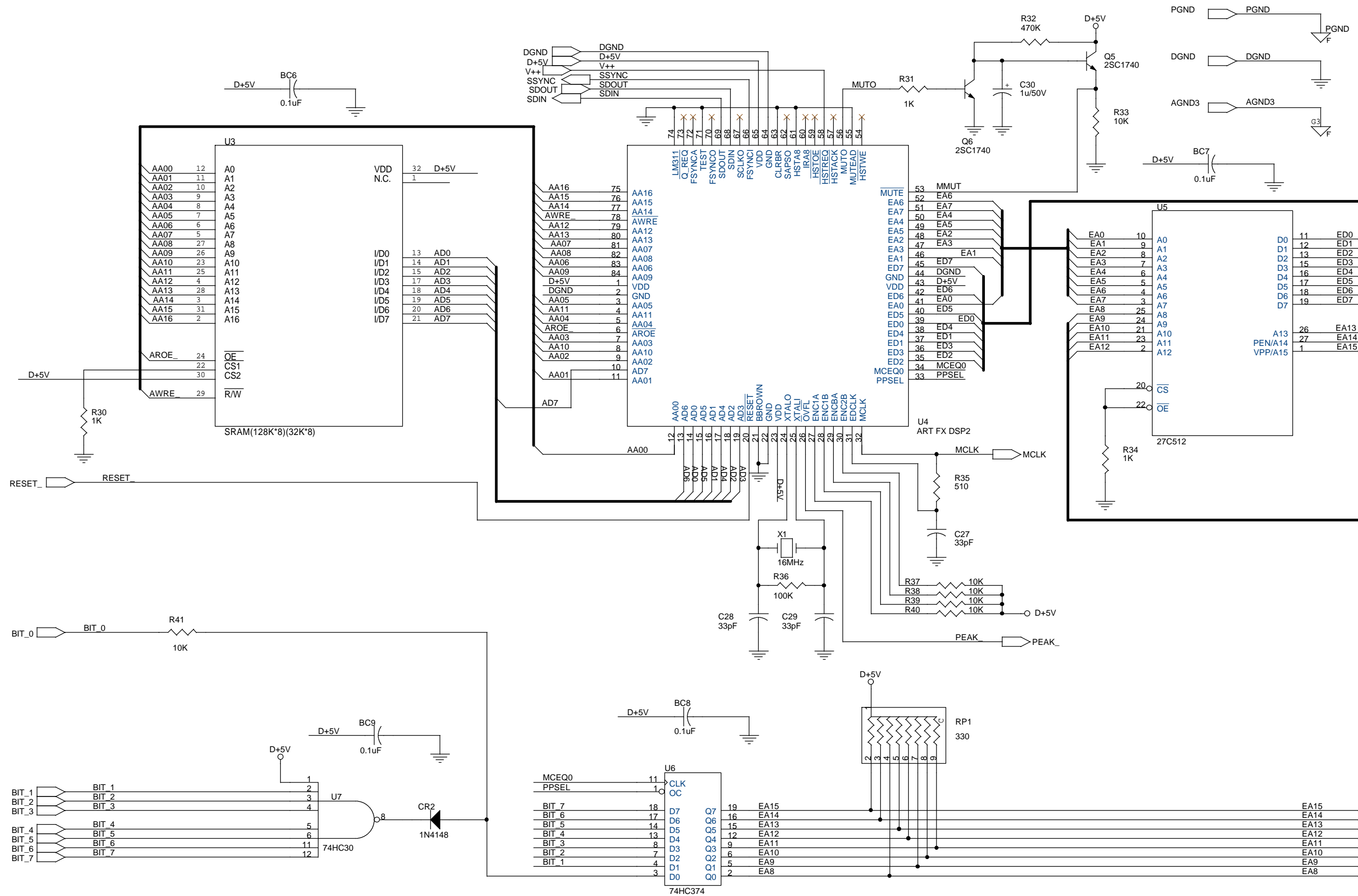
Custom	CRATE	
Title	CPM8FX	
Size	Document Number 7SEG.SCH	Rev A
Date:	Tuesday, November 07, 2000	Sheet 24 of 27



CRATE		
Title CPM8FX		
Size Custom	Document Number REV_CTL.SCH	Rev A
Date: Tuesday, November 07, 2000	Sheet 25	of 27



Custom	CRATE	
Title	CPM8FX	
Size	Document Number	Rev
	REVERB1.SCH	A
Date:	Tuesday, November 07, 2000	Sheet 26 of 27



Custom	
CRATE	
Title	
CPM8FX	
Size	Document Number
	REVERB2.SCH
Date:	Tuesday, November 07, 2000
Sheet	27 of 27
Rev	A