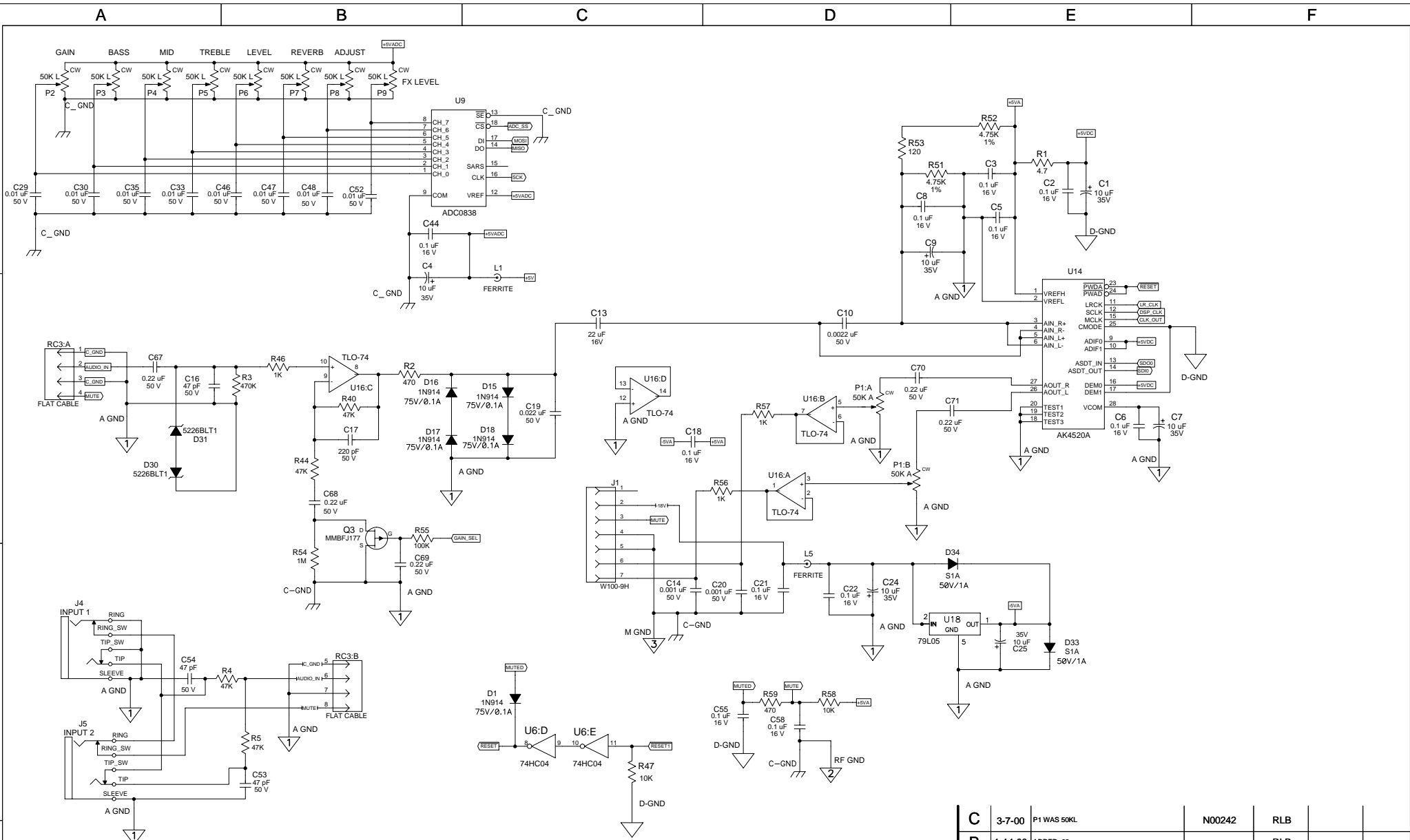


THIS SCHEMATIC IS FOR -03

CAUTION:
THIS SCHEMATIC IS PROVIDED FOR USE BY QUALIFIED PERSONNEL. TO AVOID RISK OF ELECTRIC SHOCK, REFER SERVICING TO QUALIFIED SERVICE PERSONNEL. DO NOT PERFORM ANY SERVICING BEYOND THAT EXPLAINED IN THE OPERATING INSTRUCTIONS.

- NOTES:**
- 1) CAUTION: SHOCK HAZARD!! THIS UNIT CONTAINS HAZARDOUS VOLTAGE. DISCONNECT POWER AND BE SURE POWER SUPPLY IS DISCHARGED BEFORE TOUCHING INTERNAL PARTS.
 - 2) UNLESS NOTED, RESISTOR VALUES IN OHMS, 1/4W-5% TOL. CAPACITOR VALUES IN MICROFARADS, 50V-10% TOL.
 - 3) VOLTAGES ARE MEASURED WITH 1 MEGOHM OSCILLOSCOPE AND 10 MEGOHM DIGITAL VOLTMETER.

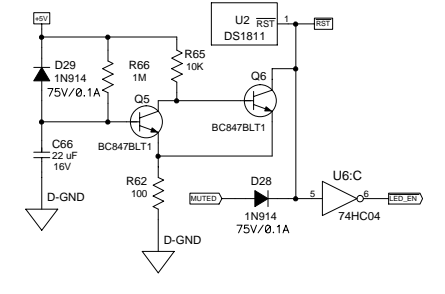
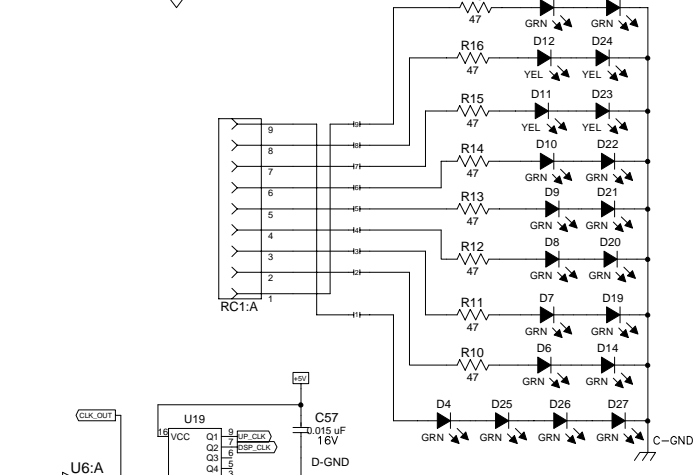
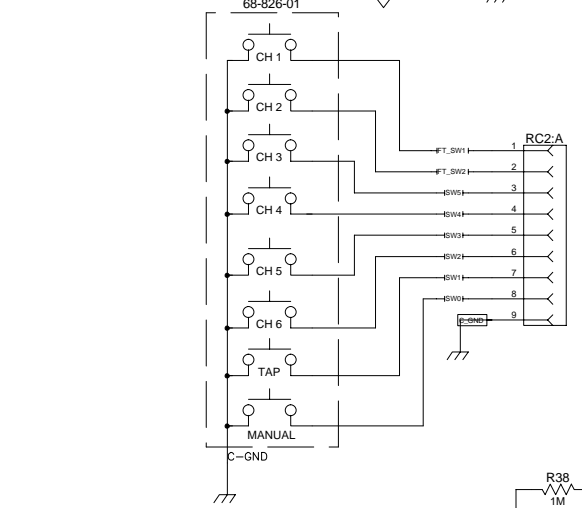
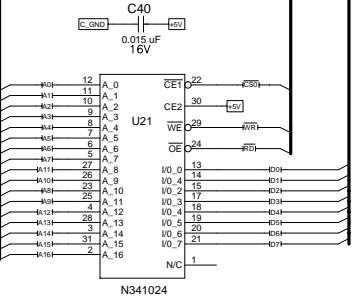
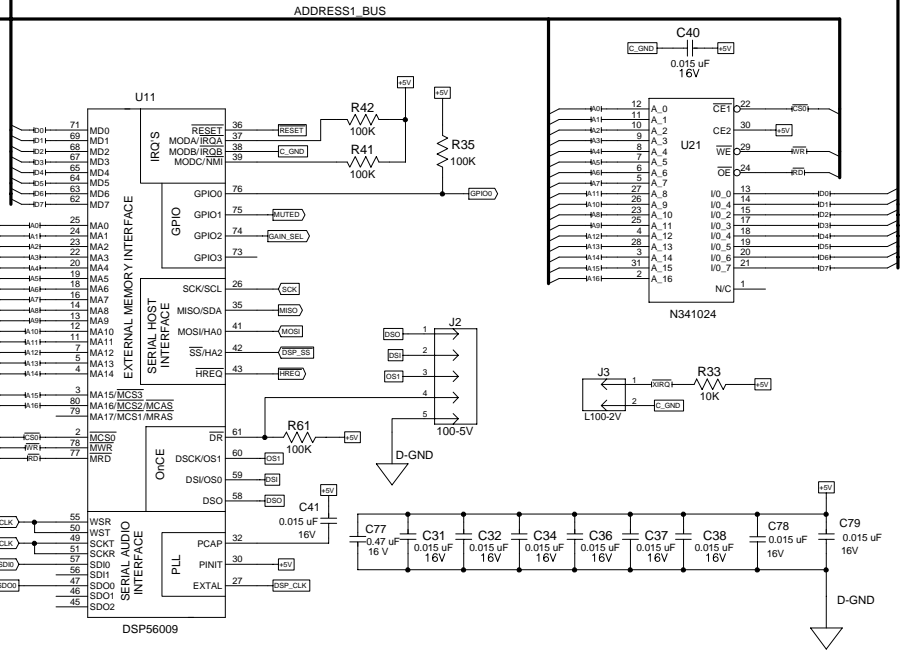
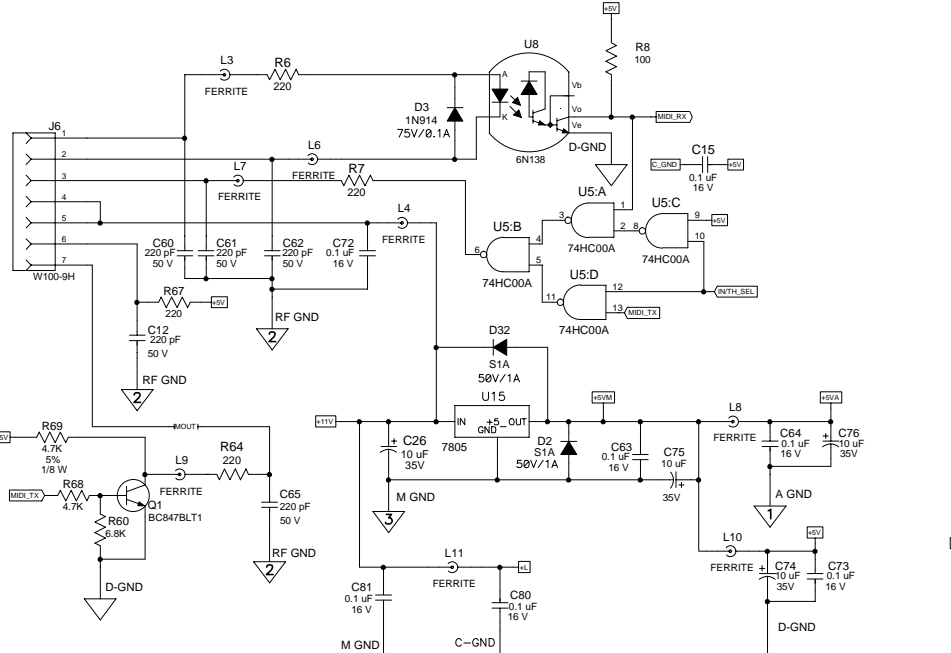
C	3-7-00	P1 WAS 50KΩ		N00242	RLB	
B	1-14-00	ADDED -03			RLB	
A	7-7-99	INITIAL ISSUE			RLB	
REV	Date	DESCRIPTION	Ecr(s)/Ecn(s)	Chgd By	Appvd by	Date
THE INFORMATION CONTAINED ON THIS DRAWING IS PROPRIETARY TO ST. LOUIS MUSIC, INC						
Signatures:		Date:		 11880 Borman Drive, St. Louis, MO 63146		
Drawn: RLB		6-30-99				
Checked:				First Used On:		
Released:				DX112/212		
Plot Date: Wed Oct 11, 2000		Drawing Size: C		Drawing Title:		
Plot Time: 07:23:02		Drawing Type: Schematic		PRE-AMP SCHEMATIC		
Tolerance:		Class Code: NONE		Drawing Number:		
Sheet 1 of 4				06S850-XX		



CAUTION:
 THIS SCHEMATIC IS PROVIDED FOR USE BY QUALIFIED PERSONNEL.
 TO AVOID RISK OF ELECTRIC SHOCK, REFER SERVICING TO QUALIFIED
 SERVICE PERSONNEL. DO NOT PERFORM ANY SERVICING BEYOND
 THAT EXPLAINED IN THE OPERATING INSTRUCTIONS.

- NOTES:**
- 1) CAUTION: SHOCK HAZARD!!
 THIS UNIT CONTAINS HAZARDOUS VOLTAGE. DISCONNECT POWER
 AND BE SURE POWER SUPPLY IS DISCHARGED BEFORE
 TOUCHING INTERNAL PARTS.
 - 2) UNLESS NOTED, RESISTOR VALUES IN OHMS, 1/4W-5% TOL.
 CAPACITOR VALUES IN MICROFARADS, 50V-10% TOL.
 - 3) VOLTAGES ARE MEASURED WITH 1 MEGOHM OSCILLOSCOPE
 AND 10 MEGOHM DIGITAL VOLTMETER.

C	3-7-00	P1 WAS 50K	N00242	RLB		
B	1-14-00	ADDED -03		RLB		
A	7-7-99	INITIAL ISSUE		RLB		
REV	Date	DESCRIPTION	Ecr(s)/Ecn(s)	Chgd By	Appvd by	Date
THE INFORMATION CONTAINED ON THIS DRAWING IS PROPRIETARY TO ST. LOUIS MUSIC, INC						
Signatures:			Date:		 11880 Borman Drive, St. Louis, MO 63146	
Drawn: RLB			6-30-99			
Checked:						
Released:						
Plot Date: Wed Oct 11, 2000		Drawing Size: C		Drawing Title:		
Plot Time: 07:23:03		Drawing Type: Schematic		PRE-AMP SCHEMATIC		
Tolerance:		Class Code: NONE		Drawing Number:		
		Sheet 2 of 4		06S850-XX		



CAUTION:
THIS SCHEMATIC IS PROVIDED FOR USE BY QUALIFIED PERSONNEL TO AVOID RISK OF ELECTRIC SHOCK. REFER SERVICING TO QUALIFIED SERVICE PERSONNEL. DO NOT PERFORM ANY SERVICING BEYOND THAT EXPLAINED IN THE OPERATING INSTRUCTIONS.

NOTES:
1) CAUTION: SHOCK HAZARD!! THIS UNIT CONTAINS HAZARDOUS VOLTAGE. DISCONNECT POWER AND BE SURE POWER SUPPLY IS DISCHARGED BEFORE TOUCHING INTERNAL PARTS.
2) UNLESS NOTED, RESISTOR VALUES IN OHMS, 1/4W-5% TOL. CAPACITOR VALUES IN MICROFARADS, 50V-10% TOL.
3) VOLTAGES ARE MEASURED WITH 1 MEGOHM OSCILLOSCOPE AND 10 MEGOHM DIGITAL VOLTMETER.

C	3-7-00	P1 WAS 50KL	N00242	RLB		
B	1-14-00	ADDED -03		RLB		
A	7-7-99	INITIAL ISSUE		RLB		
REV	Date	DESCRIPTION	Ecr(s)/Ecn(s)	Chgd By	Appvd by	Date
THE INFORMATION CONTAINED ON THIS DRAWING IS PROPRIETARY TO ST. LOUIS MUSIC, INC.						
Signatures:			Date:		 11880 Borman Drive, St. Louis, MO 63146 First Used On: DX112/212 Drawing Title: PRE-AMP SCHEMATIC Drawing Number: 06S850-XX	
Drawn: RLB			6-30-99			
Checked:						
Released:						
Plot Date: Wed Oct 11, 2000		Drawing Size: C		Drawing Title:		
Plot Time: 07:23:03		Drawing Type: Schematic		Drawing Number:		
Tolerance:		Class Code: NONE		Drawing Number:		
		Sheet 3 of 4		06S850-XX		

A

B

C

D

E

F


Power Table									
RefDes	GND_1	+5VA	-5VA	+5VDC	D-GND	+5V	+5VADC	C_GND	+5VL
U1					1,51,52	26			
U10								10	20
U11					1,8,10,15,21,29,31 34,44,52,54,66,72	6,9,17,28,33,40 48,53,70			
U13								10	20
U14	8	7		21	22				
U16		4	11						
U17					10	20			
U2					3	2			
U21					16	32			
U3					10	20			
U4					16	32			
U5					7	14			
U6					7	14			
U7								10	20
U8					1,4	8			
U9							20	10,11	

CAUTION:

THIS SCHEMATIC IS PROVIDED FOR USE BY QUALIFIED PERSONNEL TO AVOID RISK OF ELECTRIC SHOCK. REFER SERVICING TO QUALIFIED SERVICE PERSONNEL. DO NOT PERFORM ANY SERVICING BEYOND THAT EXPLAINED IN THE OPERATING INSTRUCTIONS.

NOTES:

- 1) CAUTION: SHOCK HAZARD!! THIS UNIT CONTAINS HAZARDOUS VOLTAGE. DISCONNECT POWER AND BE SURE POWER SUPPLY IS DISCHARGED BEFORE TOUCHING INTERNAL PARTS.
- 2) UNLESS NOTED, RESISTOR VALUES IN OHMS, 1/4W-5% TOL. CAPACITOR VALUES IN MICROFARADS, 50V-10% TOL.
- 3) VOLTAGES ARE MEASURED WITH 1 MEGOHM OSCILLOSCOPE AND 10 MEGOHM DIGITAL VOLTMETER.

C	3-7-00	P1 WAS 50KL	N00242	RLB		
B	1-14-00	ADDED -03		RLB		
A	7-7-99	INITIAL ISSUE		RLB		
REV	Date	DESCRIPTION	Ecr(s)/Ecn(s)	Chgd By	Appvd by	Date
THE INFORMATION CONTAINED ON THIS DRAWING IS PROPRIETARY TO ST. LOUIS MUSIC, INC.						
Signatures:			Date:		 11880 Borman Drive, St. Louis, MO 63146	
Drawn: RLB			6-30-99			
Checked:			First Used On:		DX112/212	
Released:			Drawing Title:		PRE-AMP SCHEMATIC	
Plot Date: Wed Oct 11, 2000		Drawing Size: C		Drawing Number:		
Plot Time: 07:23:04		Drawing Type: Schematic		06S850-XX		
Tolerance:		Class Code: NONE		Sheet 4 of 4		

A

B

C

D

E

F