

REF DES	PART #	DESCRIPTION	REF DES	PART #	DESCRIPTION	REF DES	PART #	DESCRIPTION	REF DES	PART #	DESCRIPTION
C1	10A101-21	100pF 200V	D1	21A914-01	1N914 100V/0.1A	P1	70-254-61	250K LINEAR	R52	76-333-01	33K
C2	10A102-11	.001uF 100V	D2	21A914-01	1N914 100V/0.1A	P2	70-103-68	10K AUDIO	R53	76-105-01	1M
C3	12R106-35	10uF 35V	D3	21A146-01	1N746A 3.3V/0.5W	P3	70-503-61	50K LINEAR	R54	76-105-01	1M
C4	10A104-01	.1uF 50V	D4	21A754-01	1N754A 6.8V/0.5W	P4	70-254-62	250K AUDIO	R55	76-333-01	33K
C5	10A471-11	470pF 100V	D5	21A914-01	1N914 100V/0.1A	P5	70-103-68	10K AUDIO	R56	76-223-01	22K
C6	12R106-35	10uF 35V	D6	21A146-01	1N746A 3.3V/0.5W	P6	70-501-62	500K AUDIO	R57	76-222-01	2.2K
C7	10A473-11	.047uF 100V	D7	21A754-01	1N754A 6.8V/0.5W	P7	70-103-61	10K LINEAR	R58	76-103-01	10K
C8	12R106-35	10uF 35V	D8	21A914-01	1N914 100V/0.1A	P8	70-103-68	10K AUDIO	R59	76-101-01	100
C9	10A222-11	.0022uF 100V	D11	21A402-01	1N4002 100V/1A	P11	70-105-61	1M LINEAR	R60	76-102-01	1K
C10	10A104-01	.1 50V	D12	21A402-01	1N4002 100V/1A	Q1	96R175-01	J175	R61	76-470-01	47
C11	10A104-01	.1 50V	D13	21-192-01	1N5392 100V/1.5A	Q2	96R175-01	J175	R62	78-001-03	0.1 3W
C13	10A104-01	.1uF 50V	D14	21-192-01	1N5392 100V/1.5A	Q3	96R175-01	J175	R63	76-010-01	1
C14	10A332-01	.0033uF 100V	D15	21-192-01	1N5392 100V/1.5A	Q4	96R175-01	J175	R64	76-471-01	470
C15	12R225-50	2.2uF 50V	D16	21-192-01	1N5392 100V/1.5A	Q5	96R175-01	J175	R65	76-470-01	47
C16	12R105-50	1uF 50V	D17	21A444-01	1N4744A 15V/1W	Q6	96R013-01	MPSA13	R66	76-000-05	JUMPER WIRE
C21	10A104-01	.1uF 50V	D18	21A444-01	1N4744A 15V/1W	Q7	96R013-01	MPSA13	R68	77-221-01	220 1/2W
C32	10A103-11	.01uF 100V	D19	21-573-01	RED LED	R1	76-222-01	2.2K	R69	77-221-01	220 1/2W
C33	10A473-11	.047uF 100V	D21	21A914-01	1N914 100V/0.1A	R2	76-274-01	270K	R70	77-152-01	1.5K 1/2W
C34	10A471-11	470pF 100V				R3	76-332-01	3.3K	R73	76-331-01	330
C35	12R476-35	47uF 35V				R4	76-102-01	1K	R74	76-331-01	330
C36	12R476-35	47uF 35V	F1	23-301-05	1A FUSE	R5	76-471-01	470	R77	76-103-01	10K
C37	10A561-11	560pF 100V	FC1	23-926-02	CLIP	R6	76-103-01	10K	R78	76-224-01	220K
C38	12R106-35	10uF 35V	FC2	23-926-02	CLIP	R7	76-471-01	470	R79	76-682-01	6.8K
C39	10A223-01	.022uF 50V				R8	76-223-01	22K	R80	76-471-01	470
C40	10F224-03	.22uF 100V				R9	76-223-01	22K	R81	76-471-01	470
C41	10A104-01	.1 50V	IC1	37-074-01	TL074	R10	76-472-01	4.7K	R82	76-682-01	6.8K
C42	10-332-01	.0033uF UL	IC3	37-074-01	TL074	R11	76-474-01	470K	RC-1	99-124-02	12-PIN RIBBON
C43	12-478-25	4700uF 25V	IC7	37-250-01	TDA2050	R12	76-473-01	47K	SW1	88-302-01	CHANNEL SWITCH
C44	12-478-25	4700uF 25V				R13	76-473-01	47K			
C47	12R476-12	47uF 16V	J1	39-116-01	T/S JACK	R14	76-471-01	470	JW1-11	76-000-05	JUMPER WIRE
C48	12R476-12	47uF 16V	J2	39-117-01	T/R/S JACK	R15	76-103-01	10K	JW13-18	76-000-05	JUMPER WIRE
C50	12R106-35	10uF 35V	J3	39-117-01	T/R/S JACK	R16	76-103-01	10K	JW20-25	76-000-05	JUMPER WIRE
C51	12R106-35	10uF 35V	J4	39-116-01	T/S JACK	R17	76-683-01	68K	JW29	76-000-05	JUMPER WIRE
C52	10A104-01	.1 50V	J7	17-309-02	CONN LOCKING	R18	76-332-01	3.3K	JW33-44	76-000-05	JUMPER WIRE
C55	10A221-11	220pF 100V	J8	17-836-01	TAB	R19	76-472-01	4.7K			
C56	10A222-11	.0022uF 100V	J9	17-894-01	TAB	R20	76-224-01	220K			
C57	10A222-11	.0022uF 100V	J12	17-836-01	TAB	R21	76-224-01	220K			
C59	10A560-21	56pF 200V	J13	17-894-01	TAB	R27	76-225-01	2.2M			
C60	10A104-01	.1uF 50V	J14	17-500-01	GNDLUG	R28	76-103-01	10K			
C62	10A104-01	.1 50V	J15	17-894-01	TAB	R47	76-104-01	100K			
C63	12R106-35	10uF 35V	J16	17-894-01	TAB						
C64	10A104-01	.1uF 50V	J17	17-894-01	TAB						
C65	10A104-01	.1uF 50V	J18	99-195-27	7 PIN CABLE 205mm						

MISCELLANEOUS HARDWARE:

PART #	DESCRIPTION	QUANTITY
30-408-52	4-40X1/2"SCREW	1
30-440-52	4-40X3/8"SCREW	2
30-442-52	4-40 NUT	3
33-133-51	BX-25 HEATSINK	1
35-043-01	NYLON BUSHING	1
35-575-01	BERQUIST K-10 INSUL	1
06A254-01	GFX-30 SERIES PCB	1

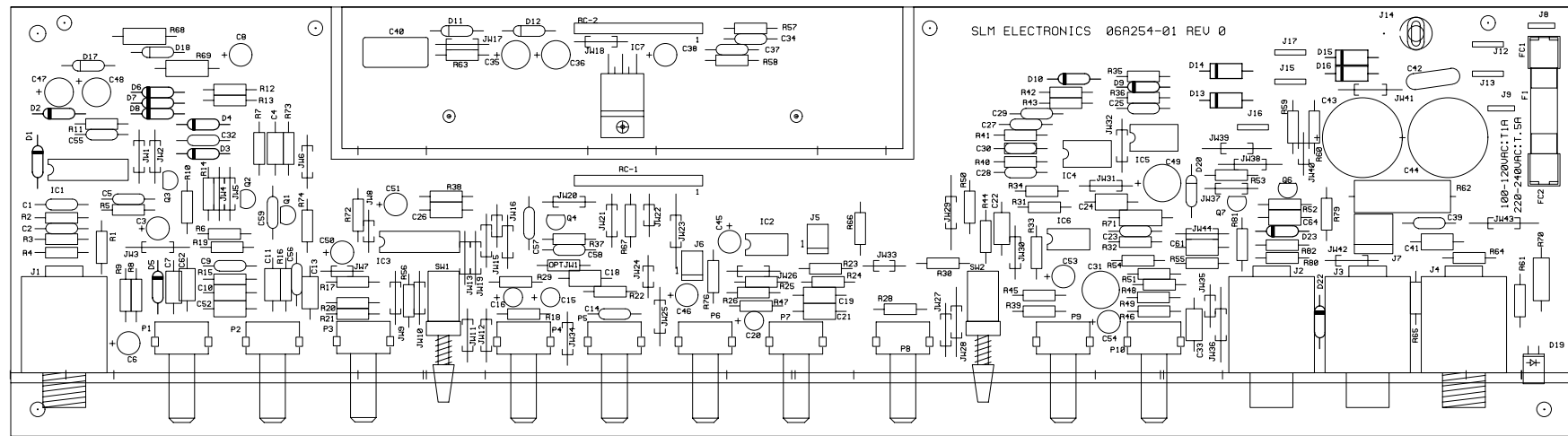
NOTES

- CAUTION: SHOCK HAZARD!!
THIS UNIT CONTAINS HAZARDOUS VOLTAGE. DISCONNECT POWER AND BE SURE POWER SUPPLY IS DISCHARGED BEFORE TOUCHING INTERNAL PARTS.
- UNLESS NOTED, RESISTOR VALUES IN OHMS, 1/4W-5%TOL. CAPACITOR VALUES IN MICROFARADS, 50V-10%TOL.
- VOLTAGES ARE MEASURED WITH 1 MEGOHM OSCILLOSCOPE AND 10 MEGOHM DIGITAL VOLTMETER.

07-254-01

THIS DRAWING SUPERCEDES 07P254-01 & 07P254-02.

REV:	DATE:	DESCRIPTION	ECO/ECR NO:	CHNG'D BY:	APPR'D BY:	DATE:
0	5/23/00	CONTROL_ISSUE	N00258 N00287	REM	-	-
THIS INFORMATION CONTAINED ON THIS DRAWING IS PROPRIETARY TO ST. LOUIS MUSIC, INC.						
SIGNATURES:		DATE:		11880 Borman Dr. St. Louis, Missouri 63146		
DRAWN: REM		5/1/00		FIRST USED ON: GFX-30_GUITAR_AMP		
CHK'D: -		-		DRAWING TITLE: PWA_GUITAR_AMPLIFIER		
ALS'D: -		-		DRAWING NO.: 07-254-XX		
TOLERANCES:		DRAWING SIZE: C		DRAWING NO.:		
		DRAWING TYPE: ASSEMBLY		SCALE: 1:1 SHEET: SHT 1 OF 3		
		CLASS CODE:				



MISCELLANEOUS HARDWARE:

PART #	DESCRIPTION	QUANTITY
30-408-52	4-40X1/2"SCREW	1
30-440-52	4-40X3/8"SCREW	2
30-442-52	4-40 NUT	3
33-133-51	BX-25 HEATSINK	1
35-043-01	NYLON BUSHING	1
35-575-01	BERQUIST K-10 INSUL	1
06A254-01	GFX-30 SERIES PCB	1

REF DES	PART #	DESCRIPTION
R59	76-101-01	100
R60	76-102-01	1K
R61	76-470-01	47
R62	78-001-03	0.1 3W
R63	76-010-01	1
R64	76-471-01	470
R65	76-470-01	47
R66	76-331-01	330
R67	76-331-01	330
R68	77-221-01	220 1/2W
R69	77-221-01	220 1/2W
R70	77-152-01	1.5K 1/2W
R71	77-561-01	560 1/2W
R72	76-223-01	22K
R73	76-331-01	330
R74	76-331-01	330
R76	76-223-01	22K
R79	76-682-01	6.8K
R80	76-471-01	470
R81	76-471-01	470
R82	76-682-01	6.8K
RC-1	99-124-02	12_PIN RIBBON
SW1	88-302-01	CHANNEL SWITCH
SW2	88-302-01	CHORUS SWITCH

NOTES

- 1) CAUTION: SHOCK HAZARD!!
THIS UNIT CONTAINS HAZARDOUS VOLTAGE. DISCONNECT POWER AND BE SURE POWER SUPPLY IS DISCHARGED BEFORE TOUCHING INTERNAL PARTS.
- 2) UNLESS NOTED, RESISTOR VALUES IN OHMS, 1/4W-5%TOL.
CAPACITOR VALUES IN MICROFARADS, 50V-10%TOL.
- 3) VOLTAGES ARE MEASURED WITH 1 MEGOHM OSCILLOSCOPE AND 10 MEGOHM DIGITAL VOLTMETER.
- 4) NOT USED: C12, C17, C60, C63, J18, D21, Q5, R27, R75, R77, R78.

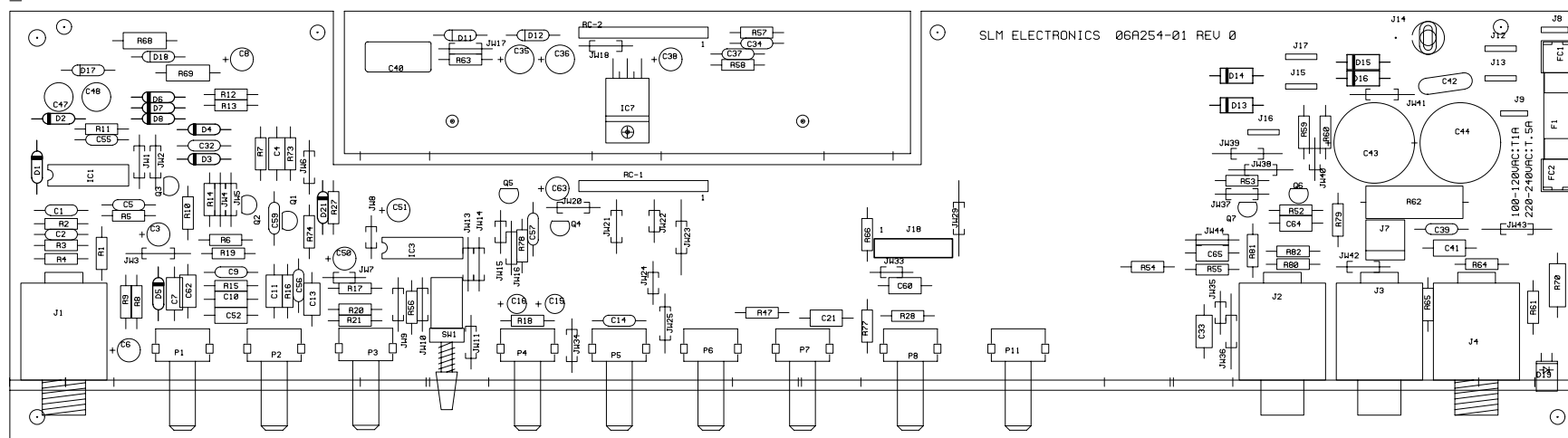
07-254-02

THIS DRAWING SUPERCEDES 07P254-01 & 07P254-02.

REV:	DATE:	DESCRIPTION	ECO/ECR NO:	CHNG'D BY:	APPR'D BY:	DATE:
0	5/23/00	CONTROL_ISSUE	N00258 N00287	REM	-	-
THIS INFORMATION CONTAINED ON THIS DRAWING IS PROPRIETARY TO ST. LOUIS MUSIC, INC.						
SIGNATURES:		DATE:		11880 Borman Dr. St. Louis, Missouri 63146		
DRAWN:	REM	5/1/00		FIRST USED ON:		
CHK'D:	-	-		GFX-30_GUITAR_AMP		
RLS'D:	-	-		DRAWING TITLE:		
DRAWING SIZE: C		DRAWING TYPE:ASSEMBLY		DRAWING NO.:		
CLASS CODE:		SCALE: 1:1		SHEET: SHT 2 OF 3		
DRAWING TITLE: PWA_GUITAR_AMPLIFIER		07-254-XX				

REF DES	PART #	DESCRIPTION	REF DES	PART #	DESCRIPTION
C1	10A101-21	100pF 200V	D1	21A914-01	1N914 100V/0.1A
C2	10A102-11	.001uF 100V	D2	21A914-01	1N914 100V/0.1A
C3	12R106-35	10uF 35V	D3	21A146-01	1N746A 3.3U/0.5W
C4	10A104-01	.1uF 50V	D4	21A754-01	1N754A 6.8U/0.5W
C5	10A471-11	470pF 100V	D5	21A914-01	1N914 100V/0.1A
C6	12R106-35	10uF 35V	D6	21A146-01	1N746A 3.3U/0.5W
C7	10A473-11	.047uF 100V	D7	21A754-01	1N754A 6.8U/0.5W
C8	12R106-35	10uF 35V	D8	21A914-01	1N914 100V/0.1A
C9	10A222-11	.0022uF 100V	D9	21A914-01	1N914 100V/0.1A
C10	10A104-01	.1 50V	D10	21A914-01	1N914 100V/0.1A
C11	10A104-01	.1 50V	D11	21A402-01	1N4002 100V/1A
C13	10A104-01	.1uF 50V	D12	21A402-01	1N4002 100V/1A
C14	10A332-01	.0033uF 100V	D13	21A192-01	1N5392 100V/1.5A
C15	12R225-50	2.2uF 50V	D14	21A192-01	1N5392 100V/1.5A
C16	12R105-50	1uF 50V	D15	21A192-01	1N5392 100V/1.5A
C18	10A104-01	.1uF 50V	D16	21A192-01	1N5392 100V/1.5A
C19	10A473-11	.047uF 100V	D17	21A444-01	1N4744A 15V/1W
C20	12R105-50	1uF 50V	D18	21A444-01	1N4744A 15V/1W
C21	10A104-01	.1uF 50V	D19	21-573-01	RED LED
C22	10A104-01	.1uF 50V	D20	21A444-01	1N4744A 15V/1W
C23	10A153-01	.015uF 50V	D22	21A146-01	1N746A 3.3U/0.5W
C24	10A104-01	.1uF 50V	D23	21A146-01	1N746A 3.3U/0.5W
C25	10A330-21	33pF 200V	F1	23-301-05	1A FUSE
C26	10A104-01	.1uF 50V	FC1	23-926-02	CLIP
C27	10A332-01	.0033uF 100V	FC2	23-926-02	CLIP
C28	10A222-11	.0022uF 100V	IC1	37-074-01	TL074
C29	10A333-01	.033uF 50V	IC2	37-532-01	NE5532
C30	10A103-11	.01uF 100V	IC3	37-074-01	TL074
C31	12R476-81	47uF 16V	IC4	37-307-01	MN3007
C32	10A103-11	.01uF 100V	IC5	37-301-01	MN3101
C33	10A473-11	.047uF 100V	IC6	37-532-01	NE5532
C34	10A471-11	470pF 100V	IC7	37-250-01	TDA2050
C35	12R476-35	47uF 35V	J1	39-116-01	T/S JACK
C36	12R476-35	47uF 35V	J2	39-117-01	T/R/S JACK
C37	10A561-11	560pF 100V	J3	39-117-01	T/R/S JACK
C38	12R106-35	10uF 35V	J4	39-116-01	T/S JACK
C39	10A223-01	.022uF 50V	J5	17-102-02	CONN
C40	10F224-03	.22uF 100V	J6	17-102-02	CONN
C41	10A104-01	.1 50V	J7	17-309-02	CONN LOCKING
C42	10-332-01	.0033uF UL	J8	17-836-01	TAB
C43	12-478-25	4700uF 25V	J9	17-894-01	TAB
C44	12-478-25	4700uF 25V	J12	17-836-01	TAB
C45	12R106-35	10uF 35V	J13	17-894-01	TAB
C46	12R106-35	10uF 35V	J14	17-500-01	GNDLUG
C47	12R476-12	47uF 16V	J15	17-894-01	TAB
C48	12R476-12	47uF 16V	J16	17-894-01	TAB
C49	12R107-32	100uF 35V	J17	17-894-01	TAB
C50	12R106-35	10uF 35V	JW1-JW44	76-000-05	JUMPER 1/4W
C51	12R106-35	10uF 35V	OPTJW1	76-000-05	JUMPER 1/4W
C52	10A104-01	.1 50V	P1	70-254-61	250K LINEAR AUDIO
C53	12R106-35	10uF 35V	P2	70-103-68	10K LINEAR AUDIO
C54	12R106-35	10uF 35V	P3	70-503-61	50K LINEAR AUDIO
C55	10A221-11	220pF 100V	P4	70-254-62	250K AUDIO
C56	10A222-11	.0022uF 100V	P5	70-103-68	10K AUDIO
C57	10A222-11	.0022uF 100V	P6	70-501-62	500 AUDIO
C58	10A152-11	.0015uF 100V	P7	70-103-61	10K LINEAR AUDIO
C59	10A560-21	56pF 200V	P8	70-103-68	10K AUDIO
C61	10A104-01	.1 50V	P9	70-103-61	10K LINEAR AUDIO
C62	10A104-01	.1uF 50V	P10	70-104-63	100K REV.AUDIO
C64	10A104-01	.1uF 50V			

REF DES	PART #	DESCRIPTION
Q1	96R175-01	J175
Q2	96R175-01	J175
Q3	96R175-01	J175
Q4	96R175-01	J175
Q6	96R013-01	MPSA13
Q7	96R013-01	MPSA13
R1	76-222-01	2.2K
R2	76-274-01	270K
R3	76-332-01	3.3K
R4	76-102-01	1K
R5	76-471-01	470
R6	76-103-01	10K
R7	76-471-01	470
R8	76-223-01	22K
R9	76-223-01	22K
R10	76-472-01	4.7K
R11	76-474-01	470K
R12	76-473-01	47K
R13	76-473-01	47K
R14	76-471-01	470
R15	76-103-01	10K
R16	76-103-01	10K
R17	76-683-01	68K
R18	76-332-01	3.3K
R19	76-472-01	4.7K
R20	76-224-01	220K
R21	76-224-01	220K
R22	76-103-01	10K
R23	76-223-01	22K
R24	76-220-01	22
R25	76-222-01	2.2K
R26	76-221-01	22K
R28	76-103-01	10K
R29	76-103-01	10K
R30	76-102-01	1K
R31	76-472-01	4.7K
R32	76-222-01	2.2K
R33	76-104-01	100K
R34	76-104-01	100K
R35	76-392-01	3.9K
R36	76-334-01	330K
R37	76-183-01	18K
R38	76-103-01	10K
R39	76-103-01	10K
R40	76-104-01	100K
R41	76-472-01	4.7K
R42	76-682-01	6.8K
R43	76-472-01	4.7K
R44	76-473-01	47K
R45	76-105-01	1M
R46	76-222-01	2.2K
R47	76-104-01	100K
R48	76-273-01	27K
R49	76-103-01	10K
R50	76-331-01	330
R51	76-331-01	330
R52	76-333-01	33K
R53	76-105-01	1M
R54	76-105-01	1M
R55	76-333-01	33K
R56	76-223-01	22K
R57	76-222-01	2.2K
R58	76-103-01	10K



REF DES	PART #	DESCRIPTION	REF DES	PART #	DESCRIPTION	REF DES	PART #	DESCRIPTION	REF DES	PART #	DESCRIPTION
C1	10A101-21	100pF 200V	D1	21A914-01	1N914 100V/0.1A	P1	70-254-61	250K LINEAR	R52	76-333-01	33K
C2	10A102-11	.001uF 100V	D2	21A914-01	1N914 100V/0.1A	P2	70-103-68	10K AUDIO	R53	76-105-01	1M
C3	12R106-35	10uF 35V	D3	21A146-01	1N746A 3.3V/0.5W	P3	70-503-61	50K LINEAR	R54	76-105-01	1M
C4	10A104-01	.1uF 50V	D4	21A754-01	1N754A 6.8V/0.5W	P4	70-254-62	250K AUDIO	R55	76-333-01	33K
C5	10A471-11	470pF 100V	D5	21A914-01	1N914 100V/0.1A	P5	70-103-68	10K AUDIO	R56	76-223-01	22K
C6	12R106-35	10uF 35V	D6	21A146-01	1N746A 3.3V/0.5W	P6	70-501-62	500K AUDIO	R57	76-222-01	2.2K
C7	10A473-11	.047uF 100V	D7	21A754-01	1N754A 6.8V/0.5W	P7	70-103-61	10K LINEAR	R58	76-103-01	10K
C8	12R106-35	10uF 35V	D8	21A914-01	1N914 100V/0.1A	P8	70-103-68	10K AUDIO	R59	76-101-01	100
C9	10A222-11	.0022uF 100V	D9	21A914-01	1N914 100V/0.1A	P11	70-103-61	10K LINEAR	R60	76-102-01	1K
C10	10A104-01	.1 50V	D11	21A402-01	1N4002 100V/1A	Q1	96R175-01	J175	R61	76-470-01	47
C11	10A104-01	.1 50V	D12	21A402-01	1N4002 100V/1A	Q2	96R175-01	J175	R62	78-001-03	0.1 3W
C13	10A104-01	.1uF 50V	D13	21-192-01	1N5392 100V/1.5A	Q3	96R175-01	J175	R63	76-010-01	1
C14	10A332-01	.0033uF 100V	D14	21-192-01	1N5392 100V/1.5A	Q4	96R175-01	J175	R64	76-471-01	470
C15	12R225-50	2.2uF 50V	D15	21-192-01	1N5392 100V/1.5A	Q5	96R175-01	J175	R65	76-470-01	47
C16	12R105-50	1uF 50V	D16	21-192-01	1N5392 100V/1.5A	Q6	96R013-01	MPSA13	R66	76-000-05	JUMPER WIRE
C21	10A104-01	.1uF 50V	D17	21A444-01	1N4744A 15V/1W	Q7	96R013-01	MPSA13	R68	77-221-01	220 1/2W
C32	10A103-11	.01uF 100V	D18	21A444-01	1N4744A 15V/1W	R1	76-222-01	2.2K	R69	77-221-01	220 1/2W
C33	10A473-11	.047uF 100V	D19	21-573-01	RED LED	R2	76-274-01	270K	R70	77-152-01	1.5K 1/2W
C34	10A471-11	470pF 100V	D21	21A914-01	1N914 100V/0.1A	R3	76-332-01	3.3K	R73	76-331-01	330
C35	12R476-35	47uF 35V				R4	76-102-01	1K	R74	76-331-01	330
C36	12R476-35	47uF 35V	F1	23-301-05	1A FUSE	R5	76-471-01	470	R77	76-103-01	10K
C37	10A561-11	560pF 100V	FC1	23-926-02	CLIP	R6	76-103-01	10K	R78	76-224-01	220K
C38	12R106-35	10uF 35V	FC2	23-926-02	CLIP	R7	76-471-01	470	R79	76-682-01	6.8K
C39	10A223-01	.022uF 50V				R8	76-223-01	22K	R80	76-471-01	470
C40	10F224-03	.22uF 100V				R9	76-223-01	22K	R81	76-471-01	470
C41	10A104-01	.1 50V	IC1	37-074-01	TL074	R10	76-472-01	4.7K	R82	76-682-01	6.8K
C42	10-332-01	.0033uF UL	IC3	37-074-01	TL074	R11	76-474-01	470K	RC-1	99-124-02	12_PIN RIBBON
C43	12-478-25	4700uF 25V	IC7	37-250-01	TDA2050	R12	76-473-01	47K	SW1	88-302-01	CHANNEL SWITCH
C44	12-478-25	4700uF 25V	J1	39-116-01	T/S JACK	R13	76-473-01	47K	JW1-11	76-000-05	JUMPER WIRE
C47	12R476-12	47uF 15V	J2	39-117-01	T/R/S JACK	R14	76-471-01	470	JW13-18	76-000-05	JUMPER WIRE
C48	12R476-12	47uF 15V	J3	39-117-01	T/R/S JACK	R15	76-103-01	10K	JW20-25	76-000-05	JUMPER WIRE
C50	12R106-35	10uF 35V	J4	39-116-01	T/S JACK	R16	76-103-01	10K	JW29	76-000-05	JUMPER WIRE
C51	12R106-35	10uF 35V	J7	17-309-02	CONN LOCKING	R17	76-683-01	68K	JW33-44	76-000-05	JUMPER WIRE
C52	10A104-01	.1 50V	J8	17-836-01	TAB	R18	76-332-01	3.3K			
C55	10A221-11	220pF 100V	J9	17-894-01	TAB	R19	76-472-01	4.7K			
C56	10A222-11	.0022uF 100V	J12	17-836-01	TAB	R20	76-224-01	220K			
C57	10A222-11	.0022uF 100V	J13	17-894-01	TAB	R21	76-224-01	220K			
C59	10A560-21	56pF 200V	J14	17-500-01	GNDLUG	R22	76-225-01	2.2M			
C60	10A104-01	.1uF 50V	J15	17-894-01	TAB	R27	76-103-01	10K			
C62	10A104-01	.1 50V	J16	17-894-01	TAB	R28	76-103-01	10K			
C63	12R106-35	10uF 35V	J17	17-894-01	TAB	R47	76-104-01	100K			
C64	10A104-01	.1uF 50V	J18	99-195-27	7 PIN CABLE 205mm						
C65	10A104-01	.1uF 50V									

MISCELLANEOUS HARDWARE:

PART #	DESCRIPTION	QUANTITY
30-408-52	4-40X1/2" SCREW	1
30-440-52	4-40X3/8" SCREW	2
30-442-52	4-40 NUT	3
33-133-51	BX-25 HEATSINK	1
35-043-01	NYLON BUSHING	1
35-575-01	BERQUIST K-10 INSUL	1
06A254-01	GFX-30 SERIES PCB	1

- NOTES
- CAUTION: SHOCK HAZARD!! THIS UNIT CONTAINS HAZARDOUS VOLTAGE. DISCONNECT POWER AND BE SURE POWER SUPPLY IS DISCHARGED BEFORE TOUCHING INTERNAL PARTS.
 - UNLESS NOTED, RESISTOR VALUES IN OHMS, 1/4W-5%TOL. CAPACITOR VALUES IN MICROFARADS, 50V-10%TOL.
 - VOLTAGES ARE MEASURED WITH 1 MEGOHM OSCILLOSCOPE AND 10 MEGOHM DIGITAL VOLTMETER.

07-254-03

THIS DRAWING SUPERCEDES 07P254-01 & 07P254-02.

REV:	DATE:	CONTROL ISSUE DESCRIPTION	N00258 N00287 ECO/ECR NO:	REM	-	-
5/23/00						
THIS INFORMATION CONTAINED ON THIS DRAWING IS PROPRIETARY TO ST. LOUIS MUSIC, INC.						
SIGNATURES:		DATE:	11880 Borman Dr. St. Louis, Missouri 63146			
DRAWN: REM		5/1/00				
CHK'D: -		-	FIRST USED ON: GFX-30_GUITAR_AMP			
RLS'D: -		-				
DRAWING SIZE: C		DRAWING TITLE: PWA_GUITAR_AMP		DRAWING NO.: 07-254-XX		
DRAWING TYPE: ASSEMBLY		CLASS CODE:		SCALE: 1:1 SHEET: SHT 3 OF 3		