

TEST POINT CONDITIONS

- CONDITION "A" : 'SOLO' SELECTED, GAIN 1 @ 10, 'SHAPE' @ 5, LEVEL @ 10, 1kHz 40mV SINE WAVE INPUT
- CONDITION "B" : RHYTHM SELECTED GAIN 2 @ 10, LOW & HIGH @ 5, LEVEL @ 10, 1kHz 40mV SINE WAVE INPUT
- CONDITION "C" : CLEAN, LEVEL @ 10, LOW, MID, HIGH @ 5, 1kHz 130mV SINE WAVE INPUT

Power Table				
RefDes	Part Number	+16V	-16V	
IC1	37-072-01	8	4	
IC2	37-072-01	8	4	
IC3	37-072-01	8	4	
IC4	37-072-01	8	4	
IC5	37-072-01	8	4	

TP	CONDITION "A"	CONDITION "B"	CONDITION "C"
1			
2			
3			
4			
5			
6			
7			
8			

CAUTION:
THIS SCHEMATIC IS PROVIDED FOR USE BY QUALIFIED PERSONNEL. TO AVOID RISK OF ELECTRIC SHOCK, REFER SERVICING TO QUALIFIED SERVICE PERSONNEL. DO NOT PERFORM ANY SERVICING BEYOND THAT EXPLAINED IN THE OPERATING INSTRUCTIONS.

NOTES:
1) CAUTION: SHOCK HAZARD!! THIS UNIT CONTAINS HAZARDOUS VOLTAGE. DISCONNECT POWER AND BE SURE POWER SUPPLY IS DISCHARGED BEFORE TOUCHING INTERNAL PARTS.
2) UNLESS NOTED, RESISTOR VALUES IN OHMS, 1/4W-5% TOL. CAPACITOR VALUES IN MICROFARADS, 50V-10% TOL.
3) VOLTAGES ARE MEASURED WITH 1 MEGOHM OSCILLOSCOPE AND 10 MEGOHM DIGITAL VOLTMETER.

REV	Date	DESCRIPTION	Ecr(s)/Ecn(s)	Chgd By	Appvd by	Date
5	01/23/04	VALUE CHANGES	N01346	WFB		
4	10/23/03	INCORPORATED ECN, UPDATED & REDRAWN DRAWING	N01246, N01249	REM		

THE INFORMATION CONTAINED ON THIS DRAWING IS PROPRIETARY TO ST. LOUIS MUSIC, INC.

Signatures: _____ **Date:** 4/11/01

Drawn: REM

Checked: _____

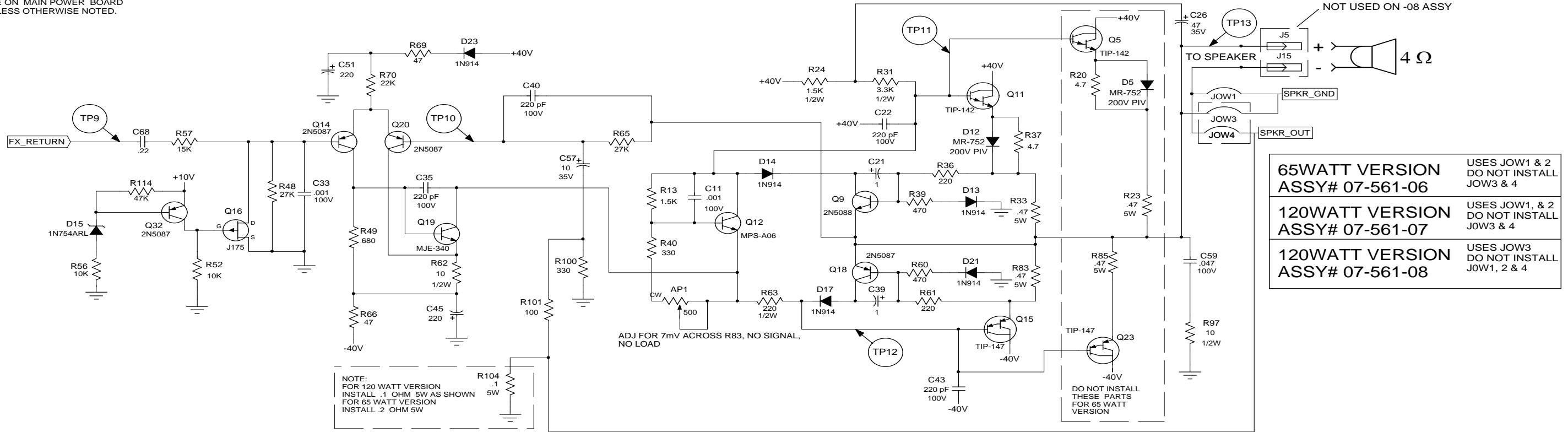
Released: _____

Plot Date: Fri Jan 23, 2004 | Drawing Size: C | Drawing Title: PWA - GUITAR AMP

Plot Time: 09:54:40 | Drawing Type: Schematic | Drawing Number: 07S561

Tolerance: _____ | Class Code: NONE | Sheet 1 of 3

ALL PARTS ON THIS SHEET ARE ON MAIN POWER BOARD UNLESS OTHERWISE NOTED.



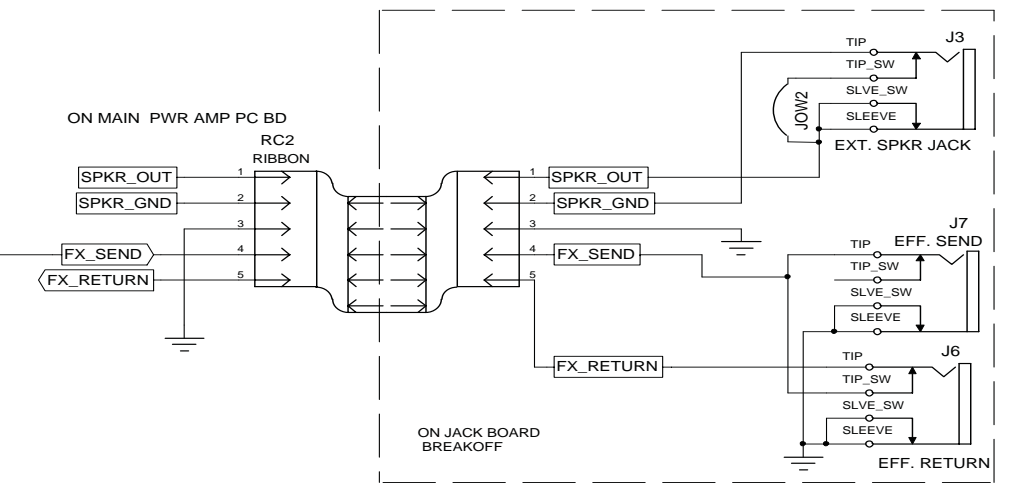
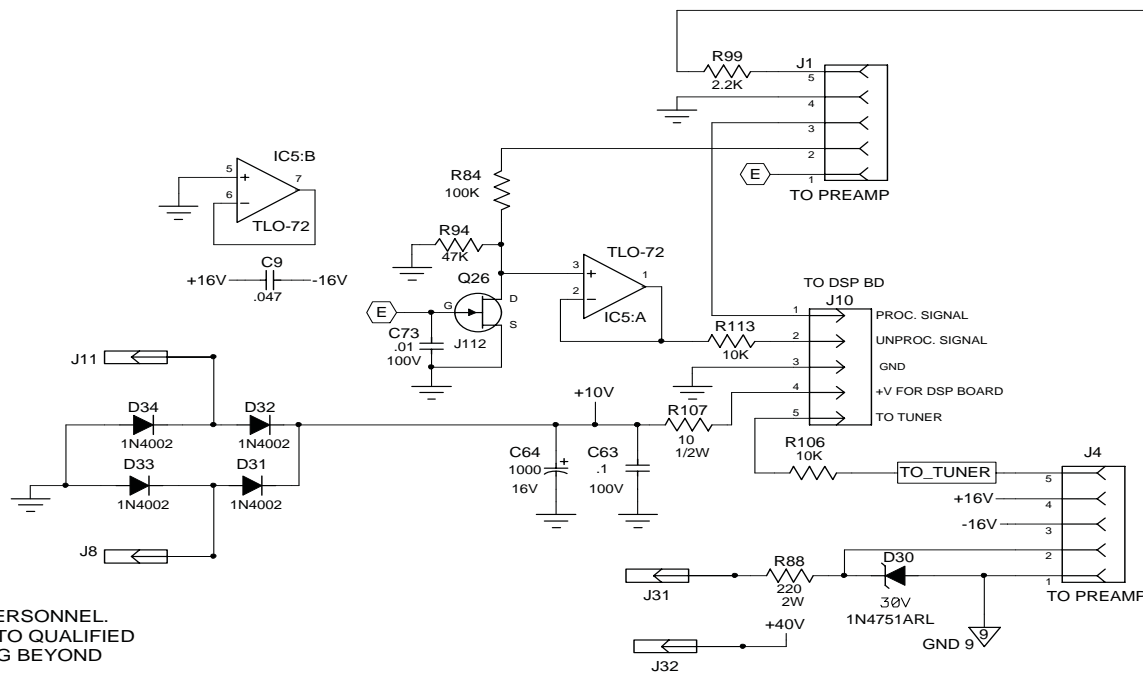
65WATT VERSION ASSY# 07-561-06	USES JOW1 & 2 DO NOT INSTALL JOW3 & 4
120WATT VERSION ASSY# 07-561-07	USES JOW1, & 2 DO NOT INSTALL JOW3 & 4
120WATT VERSION ASSY# 07-561-08	USES JOW3 DO NOT INSTALL JOW1, 2 & 4

NOTE:
FOR 120 WATT VERSION
INSTALL .1 OHM 5W AS SHOWN
FOR 65 WATT VERSION
INSTALL .2 OHM 5W

DO NOT INSTALL
THESE PARTS
FOR 65 WATT
VERSION

TEST POINT CONDITIONS
FOR POWER AMP:
1kHz SINE WAVE INPUT INTO
INSERT TIP, 4 OHM LOAD

TP	AC	DC
9	1Vpp	0V
10	.65Vpp	.23V
11	32.5Vpp	1.3V
12	32.5Vpp	-.06V
13	30Vpp	0V
14	1.5Vpp RIPPLE	35V
15	1.5Vpp RIPPLE	-35V



CAUTION:
THIS SCHEMATIC IS PROVIDED FOR USE BY QUALIFIED PERSONNEL.
TO AVOID RISK OF ELECTRIC SHOCK, REFER SERVICING TO QUALIFIED
SERVICE PERSONNEL. DO NOT PERFORM ANY SERVICING BEYOND
THAT EXPLAINED IN THE OPERATING INSTRUCTIONS.

- NOTES:
- 1) CAUTION: SHOCK HAZARD!! THIS UNIT CONTAINS HAZARDOUS VOLTAGE. DISCONNECT POWER AND BE SURE POWER SUPPLY IS DISCHARGED BEFORE TOUCHING INTERNAL PARTS.
 - 2) UNLESS NOTED, RESISTOR VALUES IN OHMS, 1/4W-5% TOL. CAPACITOR VALUES IN MICROFARADS, 50V-10% TOL.
 - 3) VOLTAGES ARE MEASURED WITH 1 MEGOHM OSCILLOSCOPE AND 10 MEGOHM DIGITAL VOLTMETER.

REV	Date	DESCRIPTION	Ecr(s)/Ecn(s)	Chgd By	Appvd by	Date
5	01/23/04	VALUE CHANGES	N01346	WFB		
4	10/23/03	INCORPORATED ECN, UPDATED & REDRAWN DRAWING	N01246, N01249	REM		

THE INFORMATION CONTAINED ON THIS DRAWING IS PROPRIETARY TO ST. LOUIS MUSIC, INC

Signatures:		Date:
Drawn: REM		4/11/01
Checked:		
Released:		
Plot Date: Fri Jan 23, 2004		Drawing Size: C
Plot Time: 09:54:40		Drawing Type: Schematic
Tolerance:		Class Code: NONE
		Sheet 2 of 3

11880 Borman Drive, St. Louis, MO 63146

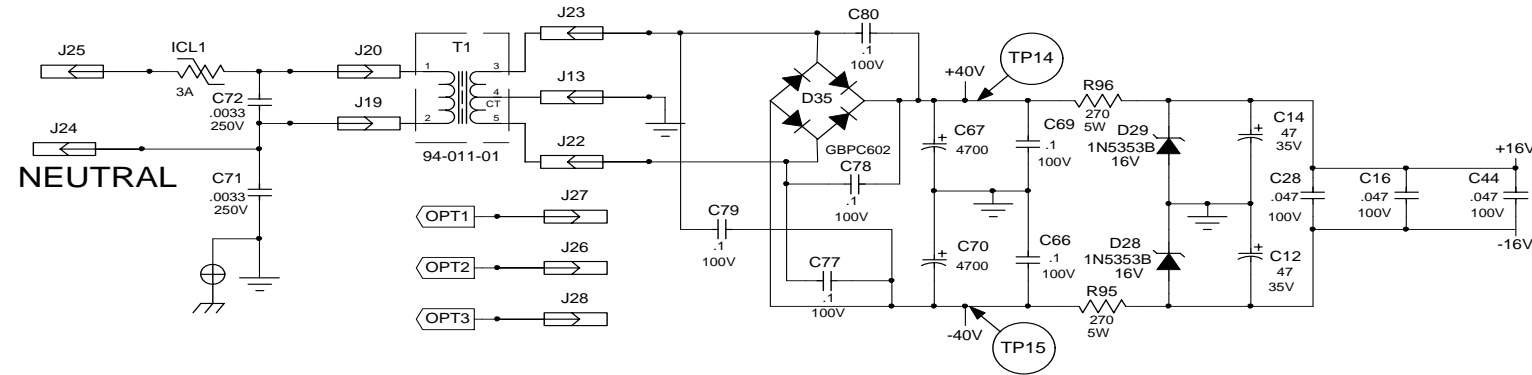
First Used On:

Drawing Title: **PWA - GUITAR AMP**

Drawing Number: **07S561**

ALL PARTS IN THIS SECTION ARE ON MAIN POWER BOARD

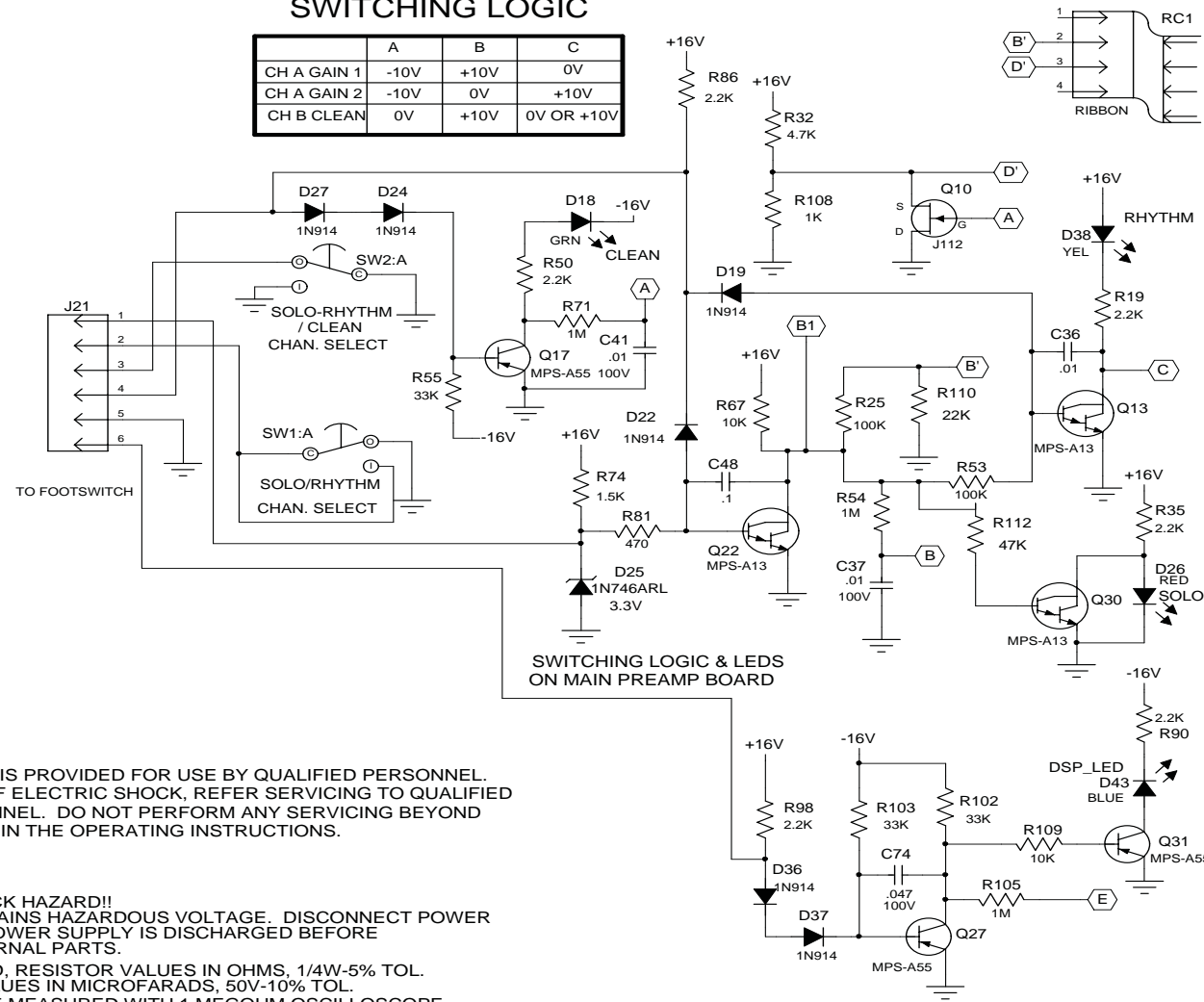
POWER SUPPLY CKT



ALL PARTS IN THIS SECTION ARE ON PREAMP BOARD

SWITCHING LOGIC

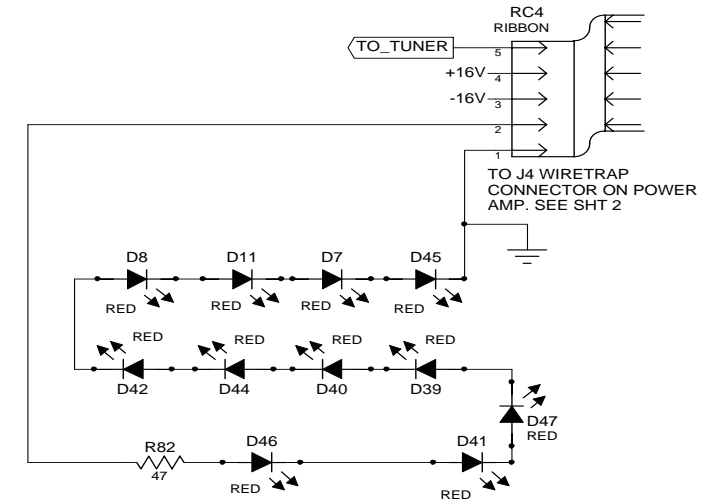
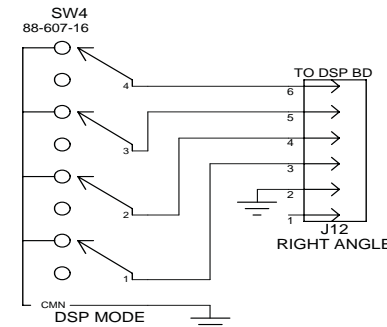
	A	B	C
CH A GAIN 1	-10V	+10V	0V
CH A GAIN 2	-10V	0V	+10V
CH B CLEAN	0V	+10V	0V OR +10V



SWITCHING LOGIC & LEDS ON MAIN PREAMP BOARD

CAUTION:
THIS SCHEMATIC IS PROVIDED FOR USE BY QUALIFIED PERSONNEL. TO AVOID RISK OF ELECTRIC SHOCK, REFER SERVICING TO QUALIFIED SERVICE PERSONNEL. DO NOT PERFORM ANY SERVICING BEYOND THAT EXPLAINED IN THE OPERATING INSTRUCTIONS.

- NOTES:
1) CAUTION: SHOCK HAZARD!! THIS UNIT CONTAINS HAZARDOUS VOLTAGE. DISCONNECT POWER AND BE SURE POWER SUPPLY IS DISCHARGED BEFORE TOUCHING INTERNAL PARTS.
2) UNLESS NOTED, RESISTOR VALUES IN OHMS, 1/4W-5% TOL. CAPACITOR VALUES IN MICROFARADS, 50V-10% TOL.
3) VOLTAGES ARE MEASURED WITH 1 MEGOHM OSCILLOSCOPE AND 10 MEGOHM DIGITAL VOLTMETER.



REV	Date	DESCRIPTION	Ecr(s)/Ecn(s)	Chgd By	Appvd by	Date
5	01/23/04	VALUE CHANGES	N01346	WFB		
4	10/23/03	INCORPORATED ECN, UPDATED & REDRAWN DRAWING	N01246, N01249	REM		

THE INFORMATION CONTAINED ON THIS DRAWING IS PROPRIETARY TO ST. LOUIS MUSIC, INC.

Signatures:	Date:	 11880 Borman Drive, St. Louis, MO 63146
Drawn: REM	4/11/01	
Checked:		First Used On:
Released:		Drawing Title:
Plot Date: Fri Jan 23, 2004	Drawing Size: C	PWA - GUITAR AMP
Plot Time: 09:54:41	Drawing Type: Schematic	
Tolerance:	Class Code: NONE	Drawing Number:
	Sheet 3 of 3	07S561