

TEST CONDITIONS
 ALL GAINS = 10
 ALL TONES & VOL = 5
 REVERSE = 5
 625F-P 1 KHZ INPUT SIGNAL
 8 OHM LOAD

T.P. I. LEAD	SS LEAD	I. RHYTHM	SS RHYTHM
1 1Vp-p	1Vp-p	1Vp-p	1Vp-p
2 1Vp-p	13Vp-p	1Vp-p	1Vp-p
3 13Vp-p	1Vp-p	1Vp-p	1Vp-p
4 28Vp-p	0Vp-p	9Vp-p	9Vp-p
5 0V	12V	12V	12V
6 9Vp-p	12Vp-p	6Vp-p	12Vp-p
7 15Vp-p	15Vp-p	15Vp-p	65Vp-p
8 1Vp-p	13Vp-p	15Vp-p	6Vp-p
9 30Vp-p	30Vp-p	30Vp-p	6Vp-p
10 1Vp-p	15Vp-p	4Vp-p	25Vp-p
11 50Vp-p	55Vp-p	50Vp-p	25Vp-p
12 50Vp-p	55Vp-p	50Vp-p	25Vp-p
13 15Vp-p	15Vp-p	15Vp-p	15Vp-p
14 50Vp-p	55Vp-p	50Vp-p	25Vp-p

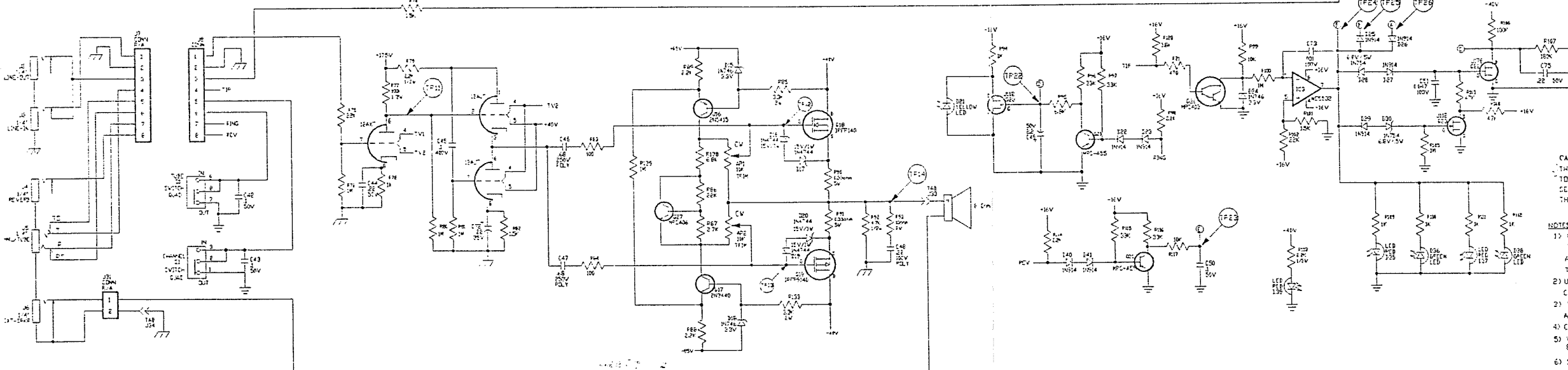
POWER SUPPLY

T.P. I. V
15 85Vdc
16 -85Vdc
17 40Vdc
18 -40Vdc
19 175Vdc
20 16Vdc
21 -16Vdc

SWITCHING

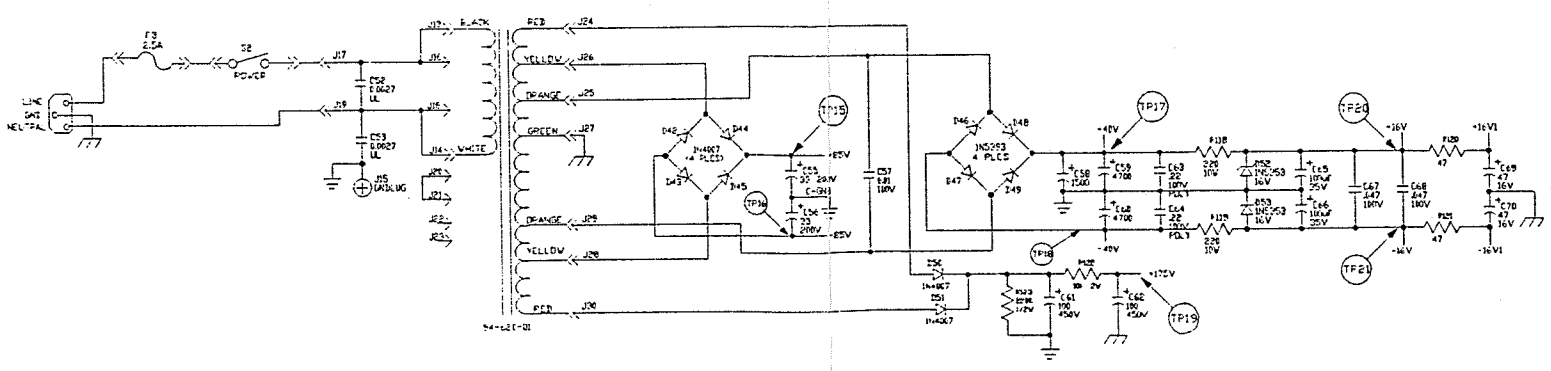
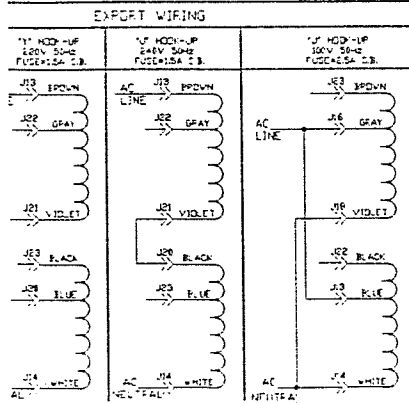
T.P. I. LEAD	SS LEAD	RHYTHM	SS RHYTHM
22 16Vdc	0Vdc	16Vdc	0Vdc
23 16Vdc	16Vdc	16Vdc	16Vdc
24 15Vdc	15Vdc	15Vdc	15Vdc
25 15Vdc	15Vdc	0Vdc	0Vdc
26 0Vdc	0Vdc	15Vdc	15Vdc
27 24Vdc	0Vdc	24Vdc	0Vdc
28 16Vdc	0Vdc	16Vdc	16Vdc
29 0Vdc	16Vdc	16Vdc	16Vdc

* 0Vdc WITH FOOTSWITCH CLOSED



CAUTION:
 THIS SCHEMATIC IS PROVIDED FOR USE BY QUALIFIED PERSONNEL.
 TO AVOID RISK OF ELECTRIC SHOCK, REFER SERVICING TO QUALIFIED
 SERVICE PERSONNEL. DO NOT PERFORM ANY SERVICING BEYOND
 THAT EXPLAINED IN THE OPERATING INSTRUCTIONS.

- NOTES
- 1) CAUTION: SHOCK HAZARD!!
 THIS UNIT CONTAINS HAZARDOUS VOLTAGE. DISCONNECT POWER
 AND BE SURE POWER SUPPLY IS DISCHARGED BEFORE
 TOUCHING INTERNAL PARTS.
 - 2) UNLESS NOTED, RESISTOR VALUES IN OHMS, 1% 4W-5W TOL.
 CAPACITOR VALUES IN MICROFARADS, 50V-100V TOL.
 - 3) VOLTAGES ARE MEASURED WITH 1 MEGOHM OSCILLOSCOPE
 AND 10 MEGOHM DIGITAL VOLTMETER.
 - 4) CIRCUIT GROUND = SWITCH GROUND + CHASSIS GROUND
 - 5) WITH 8OHM LOAD AND AP-2 FULLY CW, ADJUST AP-1 FOR
 8mV ACROSS P90. THEN ADJUST AP-2 FOR 100mV CREAMER OUTPUT.
 - 6) SCHEMATIC REFLECTS REV. 14 ARTWORK.



3				
2	04/07/92	SWR	UPDATED TO REFLECT REV. 14 ARTWORK.	
1	03/08/92	MGA	CHANGE BIAS CIRCUIT	
REV	DATE	BY	CHK'D	DESCRIPTION
SIGNATURES:		DATE:		11660 BORMAN DR. ST. LOUIS, MISSOURI 63146
DRAWN: SWR		01/09/92		
CHK'D: TEK		02/17/92		PROJECT NAME:
APP'D: TEK		02/17/92		GT-80
ORIGINAL ISSUED: 02/17/92		DRAWING NAME:		SCHEMATIC DRAWING
PLOT DATE: 04/07/92		DRAWING NO.:		
PLOT TIME: 08:49:39		DRAWING NO.:		07S240-01
FILE NAME: S40017		CUTTER:		