

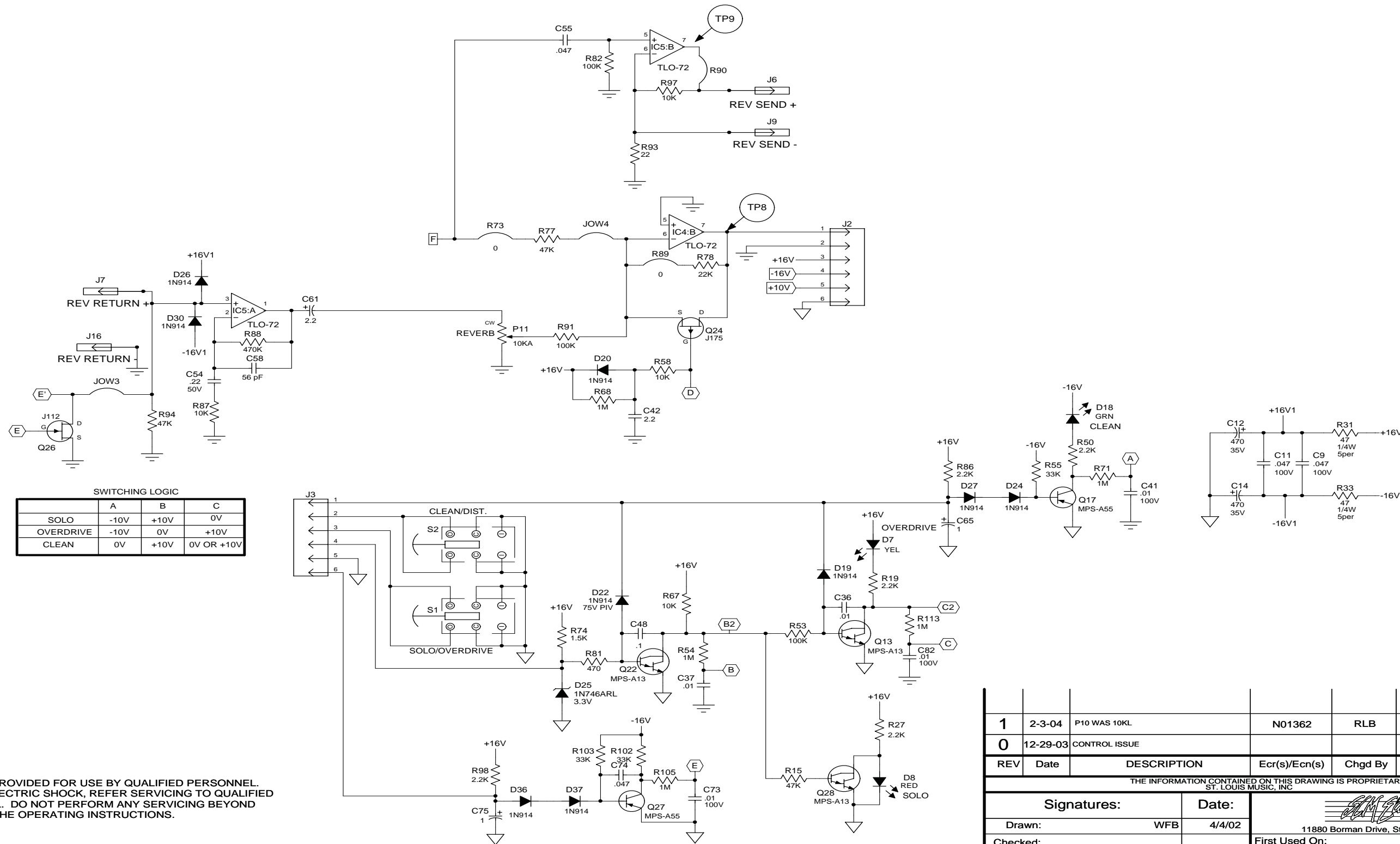
**CAUTION:**  
THIS SCHEMATIC IS PROVIDED FOR USE BY QUALIFIED PERSONNEL. TO AVOID RISK OF ELECTRIC SHOCK, REFER SERVICING TO QUALIFIED SERVICE PERSONNEL. DO NOT PERFORM ANY SERVICING BEYOND THAT EXPLAINED IN THE OPERATING INSTRUCTIONS.

**NOTES:**  
1) CAUTION: SHOCK HAZARD!! THIS UNIT CONTAINS HAZARDOUS VOLTAGE. DISCONNECT POWER AND BE SURE POWER SUPPLY IS DISCHARGED BEFORE TOUCHING INTERNAL PARTS.  
2) UNLESS NOTED, RESISTOR VALUES IN OHMS, 1/4W-5% TOL. CAPACITOR VALUES IN MICROFARADS, 50V-10% TOL.  
3) VOLTAGES ARE MEASURED WITH 1 MEGOHM OSCILLOSCOPE AND 10 MEGOHM DIGITAL VOLTMETER.

Note Table  
 1) CONDITION "A" : SOLO CHANNEL GAIN & LEVEL @ '10', SHAPE @ '5'.  
 2) 1kHz 130mV SINE WAVE INPUT CONDITION "B" : OVERDRIVE CHANNEL GAIN & LEVEL @ '10', LOW, MID & HIGH @ '5'.  
 3) 1kHz 130mV SINE WAVE INPUT CONDITION "C" : CLEAN CHANNEL VOLUME @ 10, LOW, MID, HIGH @ 5.  
 1kHz 130mV SINE WAVE INPUT  
 \* FOR TEST POINT 9, PUT A 150 OHM RESISTOR FROM J6 TO J7.

TP	CONDITION "A"	CONDITION "B"	CONDITION "C"
1			
2			
3			
4			
5			
6			
7			
8			
9*			

1	2-3-04	P10 WAS 10KL	N01362	RLB		
0	12-29-03	CONTROL ISSUE				
REV	Date	DESCRIPTION	Ecr(s)/Ecn(s)	Chgd By	Appvd by	Date
THE INFORMATION CONTAINED ON THIS DRAWING IS PROPRIETARY TO ST. LOUIS MUSIC, INC.						
Signatures:			Date:			
Drawn: WFB			4/4/02			
Checked:			First Used On:			
Released:			Drawing Title:			
Plot Date: Tue Feb 03, 2004			Drawing Size: C		Drawing Title: PWA - GUITAR AMP	
Plot Time: 07:29:38			Drawing Type: Schematic		Drawing Number: 07S326	
Tolerance:			Class Code: NONE		Sheet 1 of 2	



SWITCHING LOGIC

	A	B	C
SOLO	-10V	+10V	0V
OVERDRIVE	-10V	0V	+10V
CLEAN	0V	+10V	0V OR +10V

**CAUTION:**  
THIS SCHEMATIC IS PROVIDED FOR USE BY QUALIFIED PERSONNEL. TO AVOID RISK OF ELECTRIC SHOCK, REFER SERVICING TO QUALIFIED SERVICE PERSONNEL. DO NOT PERFORM ANY SERVICING BEYOND THAT EXPLAINED IN THE OPERATING INSTRUCTIONS.

- NOTES:**
- 1) CAUTION: SHOCK HAZARD!! THIS UNIT CONTAINS HAZARDOUS VOLTAGE. DISCONNECT POWER AND BE SURE POWER SUPPLY IS DISCHARGED BEFORE TOUCHING INTERNAL PARTS.
  - 2) UNLESS NOTED, RESISTOR VALUES IN OHMS, 1/4W-5% TOL. CAPACITOR VALUES IN MICROFARADS, 50V-10% TOL.
  - 3) VOLTAGES ARE MEASURED WITH 1 MEGOHM OSCILLOSCOPE AND 10 MEGOHM DIGITAL VOLTMETER.

1	2-3-04	P10 WAS 10KL	N01362	RLB		
0	12-29-03	CONTROL ISSUE				
REV	Date	DESCRIPTION	Ecr(s)/Ecn(s)	Chgd By	Appvd by	Date
THE INFORMATION CONTAINED ON THIS DRAWING IS PROPRIETARY TO ST. LOUIS MUSIC, INC.						
Signatures:			Date:			
Drawn: WFB			4/4/02			
Checked:			First Used On:			
Released:			Drawing Title:			
Plot Date: Tue Feb 03, 2004			Drawing Size: C		Drawing Title: PWA - GUITAR AMP	
Plot Time: 07:29:39			Drawing Type: Schematic		Drawing Number: 07S326	
Tolerance:			Class Code: NONE		Sheet 2 of 2	