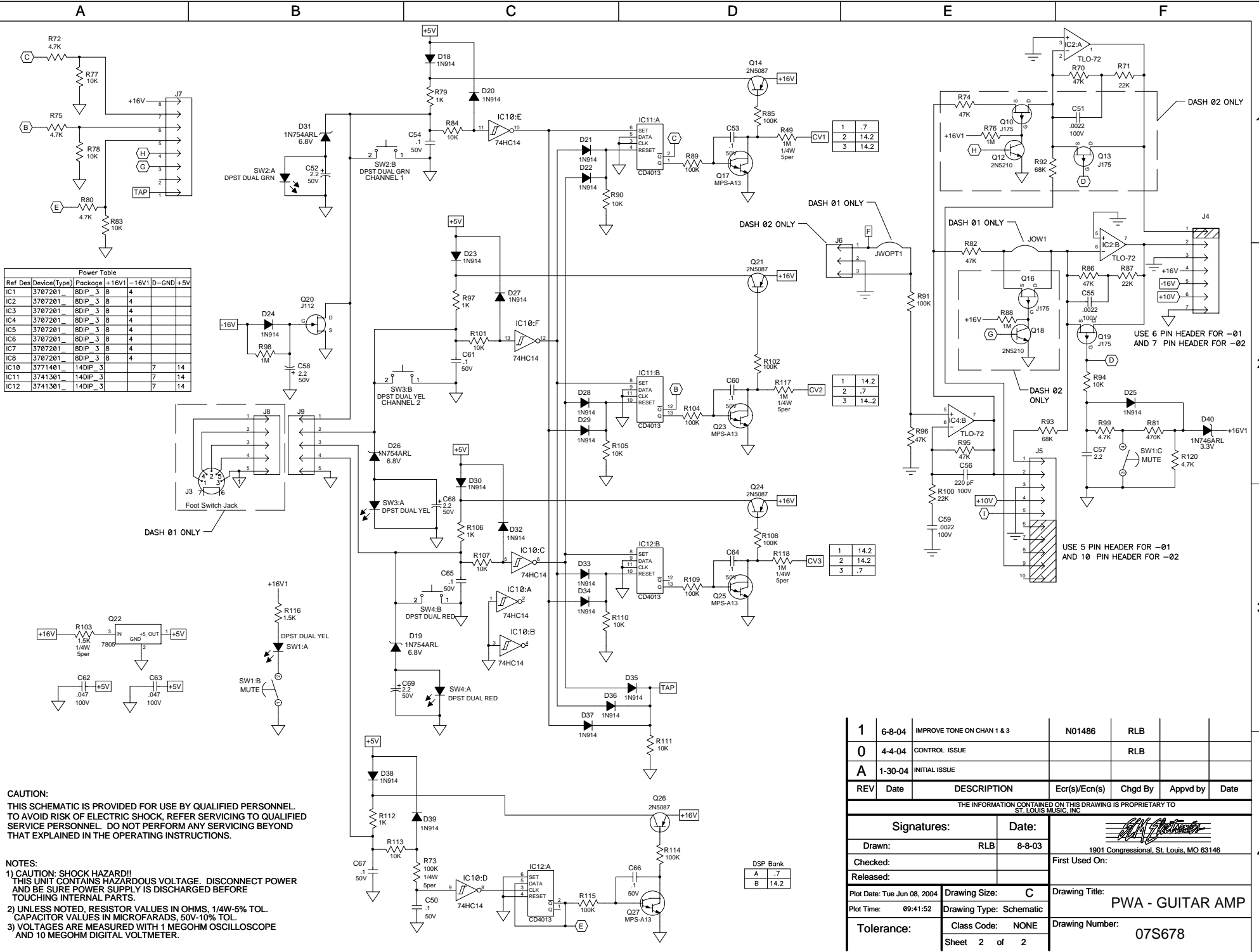


CAUTION:  
 THIS SCHEMATIC IS PROVIDED FOR USE BY QUALIFIED PERSONNEL.  
 TO AVOID RISK OF ELECTRIC SHOCK, REFER SERVICING TO QUALIFIED  
 SERVICE PERSONNEL. DO NOT PERFORM ANY SERVICING BEYOND  
 THAT EXPLAINED IN THE OPERATING INSTRUCTIONS.

- NOTES:  
 1) CAUTION: SHOCK HAZARD!!  
 THIS UNIT CONTAINS HAZARDOUS VOLTAGE. DISCONNECT POWER  
 AND BE SURE POWER SUPPLY IS DISCHARGED BEFORE  
 TOUCHING INTERNAL PARTS.  
 2) UNLESS NOTED, RESISTOR VALUES IN OHMS, 1/4W-5% TOL.  
 CAPACITOR VALUES IN MICROFARADS, 50V-10% TOL.  
 3) VOLTAGES ARE MEASURED WITH 1 MEGOHM OSCILLOSCOPE  
 AND 10 MEGOHM DIGITAL VOLTMETER.

1	6-8-04	IMPROVE TONE ON CHAN 1 & 3	N01486	RLB		
0	4-4-04	CONTROL ISSUE		RLB		
A	1-30-04	INITIAL ISSUE				
REV	Date	DESCRIPTION	Ecr(s)/Ecn(s)	Chgd By	Appvd by	Date
THE INFORMATION CONTAINED ON THIS DRAWING IS PROPRIETARY TO ST. LOUIS MUSIC, INC.						
Signatures:			Date:		 1901 Congressional, St. Louis, MO 63146	
Drawn: RLB			8-8-03			
Checked:			First Used On:			
Released:						
Plot Date: Tue Jun 08, 2004		Drawing Size: C		Drawing Title: PWA - GUITAR AMP		
Plot Time: 09:41:50		Drawing Type: Schematic		Drawing Number: 07S678		
Tolerance:		Class Code: NONE		Sheet 1 of 2		



Power Table						
Ref Des	Device	Type	Package	+16V1	-16V1	D-GND +5V
IC1	3787281	8DIP	3 8	4		
IC2	3787281	8DIP	3 8	4		
IC3	3787281	8DIP	3 8	4		
IC4	3787281	8DIP	3 8	4		
IC5	3787281	8DIP	3 8	4		
IC6	3787281	8DIP	3 8	4		
IC7	3787281	8DIP	3 8	4		
IC8	3787281	8DIP	3 8	4		
IC10	3771481	14DIP	3 7	14		
IC11	3741381	14DIP	3 7	14		
IC12	3741381	14DIP	3 7	14		

**CAUTION:**  
THIS SCHEMATIC IS PROVIDED FOR USE BY QUALIFIED PERSONNEL TO AVOID RISK OF ELECTRIC SHOCK, REFER SERVICING TO QUALIFIED SERVICE PERSONNEL. DO NOT PERFORM ANY SERVICING BEYOND THAT EXPLAINED IN THE OPERATING INSTRUCTIONS.

- NOTES:**
- 1) CAUTION: SHOCK HAZARD!! THIS UNIT CONTAINS HAZARDOUS VOLTAGE. DISCONNECT POWER AND BE SURE POWER SUPPLY IS DISCHARGED BEFORE TOUCHING INTERNAL PARTS.
  - 2) UNLESS NOTED, RESISTOR VALUES IN OHMS, 1/4W-5% TOL. CAPACITOR VALUES IN MICROFARADS. 50V-10% TOL.
  - 3) VOLTAGES ARE MEASURED WITH 1 MEGOHM OSCILLOSCOPE AND 10 MEGOHM DIGITAL VOLTMETER.

REV	Date	DESCRIPTION	Ecr(s)/Ecn(s)	Chgd By	Appvd by	Date
1	6-8-04	IMPROVE TONE ON CHAN 1 & 3	N01486	RLB		
0	4-4-04	CONTROL ISSUE		RLB		
A	1-30-04	INITIAL ISSUE				

Signatures:		Date:
Drawn:	RLB	8-8-03
Checked:		
Released:		

THE INFORMATION CONTAINED ON THIS DRAWING IS PROPRIETARY TO ST. LOUIS MUSIC, INC.

1901 Congressional, St. Louis, MO 63146

First Used On:

Plot Date: Tue Jun 08, 2004    Drawing Size: C    Drawing Title: PWA - GUITAR AMP

Plot Time: 09:41:52    Drawing Type: Schematic

Tolerance:    Class Code: NONE    Drawing Number: 07S678

Sheet 2 of 2