

A

B

C

D

1

1

2

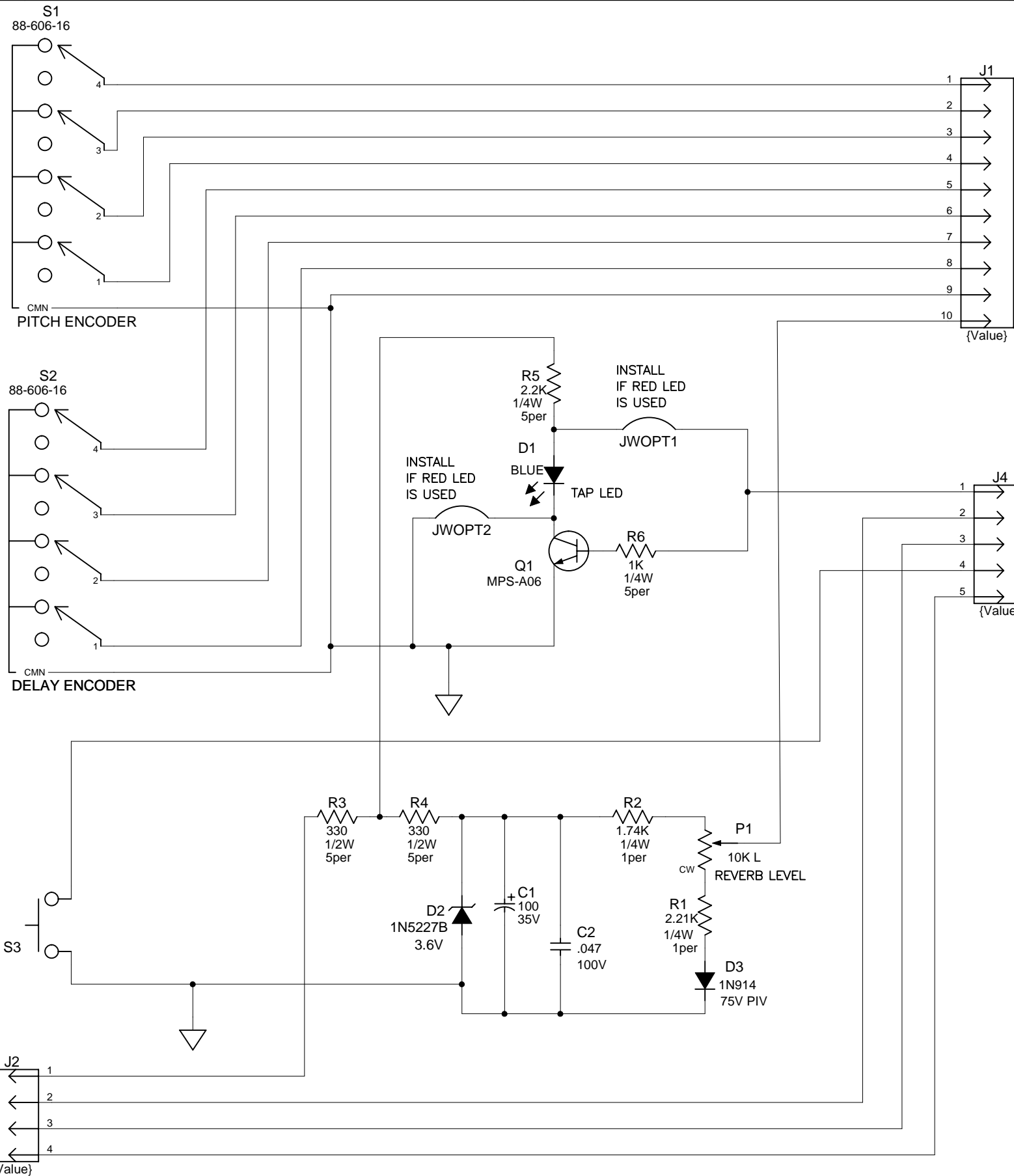
2

3

3

4

4



TO J3 ON DSP PC BOARD

TO J6 ON DSP PC BOARD

ASSY P/N 07-794-01  
without pc mount brackets

ASSY P/N 07-794-02  
with pc mount brackets

CAUTION:  
THIS SCHEMATIC IS PROVIDED FOR USE BY QUALIFIED PERSONNEL.  
TO AVOID RISK OF ELECTRIC SHOCK, REFER SERVICING TO QUALIFIED  
SERVICE PERSONNEL. DO NOT PERFORM ANY SERVICING BEYOND  
THAT EXPLAINED IN THE OPERATING INSTRUCTIONS.

- NOTES:
- 1) CAUTION: SHOCK HAZARD!!  
THIS UNIT CONTAINS HAZARDOUS VOLTAGE. DISCONNECT POWER  
AND BE SURE POWER SUPPLY IS DISCHARGED BEFORE  
TOUCHING INTERNAL PARTS.
  - 2) UNLESS NOTED, RESISTOR VALUES IN OHMS, 1/4W-5% TOL.  
CAPACITOR VALUES IN MICROFARADS, 50V-10% TOL.
  - 3) VOLTAGES ARE MEASURED WITH 1 MEGOHM OSCILLOSCOPE  
AND 10 MEGOHM DIGITAL VOLTMETER.

-	-	-	-	-	-
0	3/04/03	CONTROL ISSUE			
REV	Date	DESCRIPTION	Ecr(s)/Ecn(s)	Chgd By	Appvd by
THE INFORMATION CONTAINED ON THIS DRAWING IS PROPRIETARY TO ST. LOUIS MUSIC, INC					
Signatures:		Date:	 11880 Borman Drive, St. Louis, MO 63146		
Drawn: REM		9/06/02	First Used On:		
Checked:			GTX SERIES		
Released:			Drawing Title:		
Plot Date: Tue Mar 04, 2003		Drawing Size: B	SCHEM - EFF CONT BD		
Plot Time: 14:37:13		Drawing Type: Schematic	Drawing Number:		
Tolerance:		Class Code: NONE	07S794-XX		
		Sheet 1 of 1			