

16-130-01 REFLECTIS P.C.B. 06A530-01
 16-131-01 REFLECTIS P.C.B. 06A530-02

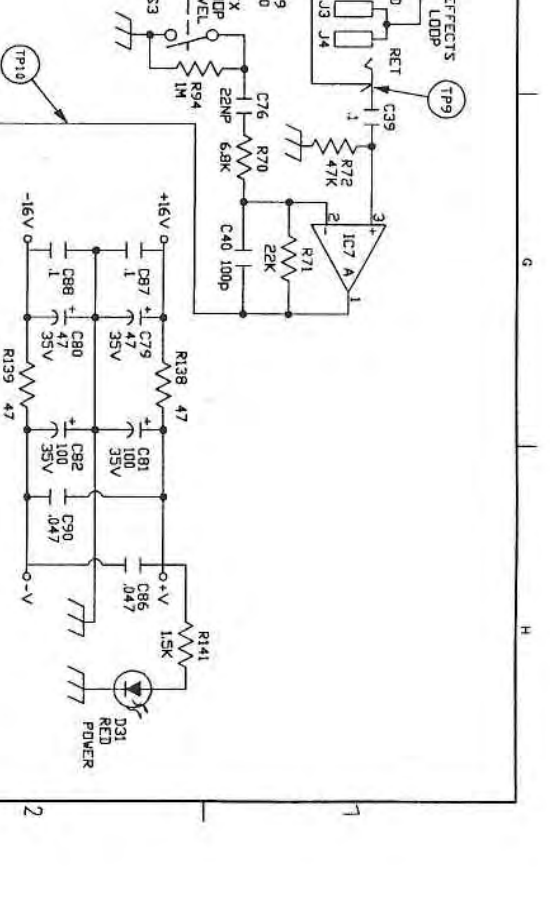
REV	DATE	BY	CHK'D	DESCRIPTION
4	10/20/92	SWR		CHANGED TITLE OF DRAWING
3	7/2/92	SWR		CHANGED R82 FROM 1.5K TO 2.2K (-02 VERSION ONLY)
2	03/14/91	MCA		CHANGE VALUE OF C7
1	9-13-90	ML		DESIGNED BY: J. L. BROWN DRAWN BY: J. L. BROWN

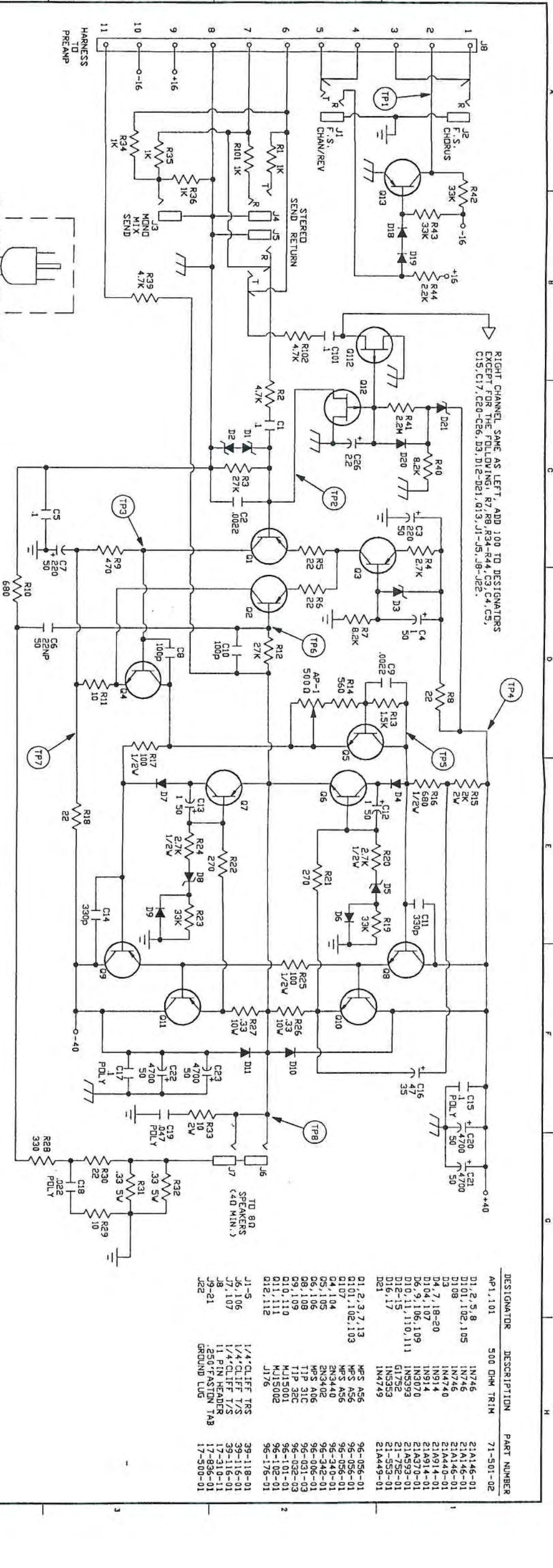
RESISTOR	DESCRIPTION	PART NO.
R1-13	100KRA	71-103-02
R1-14	100KRA	71-103-02
R1-15	100KRA	71-103-02
R1-16	100KRA	71-103-02
R1-17	100KRA	71-103-02
R1-18	100KRA	71-103-02
R1-19	100KRA	71-103-02
R1-20	100KRA	71-103-02
R1-21	100KRA	71-103-02
R1-22	100KRA	71-103-02
R1-23	100KRA	71-103-02
R1-24	100KRA	71-103-02
R1-25	100KRA	71-103-02
R1-26	100KRA	71-103-02
R1-27	100KRA	71-103-02
R1-28	100KRA	71-103-02
R1-29	100KRA	71-103-02
R1-30	100KRA	71-103-02
R1-31	100KRA	71-103-02
R1-32	100KRA	71-103-02
R1-33	100KRA	71-103-02
R1-34	100KRA	71-103-02
R1-35	100KRA	71-103-02
R1-36	100KRA	71-103-02
R1-37	100KRA	71-103-02
R1-38	100KRA	71-103-02
R1-39	100KRA	71-103-02
R1-40	100KRA	71-103-02
R1-41	100KRA	71-103-02
R1-42	100KRA	71-103-02
R1-43	100KRA	71-103-02
R1-44	100KRA	71-103-02
R1-45	100KRA	71-103-02
R1-46	100KRA	71-103-02
R1-47	100KRA	71-103-02
R1-48	100KRA	71-103-02
R1-49	100KRA	71-103-02
R1-50	100KRA	71-103-02
R1-51	100KRA	71-103-02
R1-52	100KRA	71-103-02
R1-53	100KRA	71-103-02
R1-54	100KRA	71-103-02
R1-55	100KRA	71-103-02
R1-56	100KRA	71-103-02
R1-57	100KRA	71-103-02
R1-58	100KRA	71-103-02
R1-59	100KRA	71-103-02
R1-60	100KRA	71-103-02
R1-61	100KRA	71-103-02
R1-62	100KRA	71-103-02
R1-63	100KRA	71-103-02
R1-64	100KRA	71-103-02
R1-65	100KRA	71-103-02
R1-66	100KRA	71-103-02
R1-67	100KRA	71-103-02
R1-68	100KRA	71-103-02
R1-69	100KRA	71-103-02
R1-70	100KRA	71-103-02
R1-71	100KRA	71-103-02
R1-72	100KRA	71-103-02
R1-73	100KRA	71-103-02
R1-74	100KRA	71-103-02
R1-75	100KRA	71-103-02
R1-76	100KRA	71-103-02
R1-77	100KRA	71-103-02
R1-78	100KRA	71-103-02
R1-79	100KRA	71-103-02
R1-80	100KRA	71-103-02
R1-81	100KRA	71-103-02
R1-82	100KRA	71-103-02
R1-83	100KRA	71-103-02
R1-84	100KRA	71-103-02
R1-85	100KRA	71-103-02
R1-86	100KRA	71-103-02
R1-87	100KRA	71-103-02
R1-88	100KRA	71-103-02
R1-89	100KRA	71-103-02
R1-90	100KRA	71-103-02
R1-91	100KRA	71-103-02
R1-92	100KRA	71-103-02
R1-93	100KRA	71-103-02
R1-94	100KRA	71-103-02
R1-95	100KRA	71-103-02
R1-96	100KRA	71-103-02
R1-97	100KRA	71-103-02
R1-98	100KRA	71-103-02
R1-99	100KRA	71-103-02
R1-100	100KRA	71-103-02

TEST POINT	VOLTAGE	WAVE	SPEC CONDITIONS
TP1	170mV-P	60mV-P	
TP2	10mV-P	0	
TP3	10mV-P	0	
TP4	10mV-P	0	
TP5	10mV-P	0	
TP6	10mV-P	0	
TP7	10mV-P	0	
TP8	10mV-P	0	
TP9	10mV-P	0	
TP10	10mV-P	0	

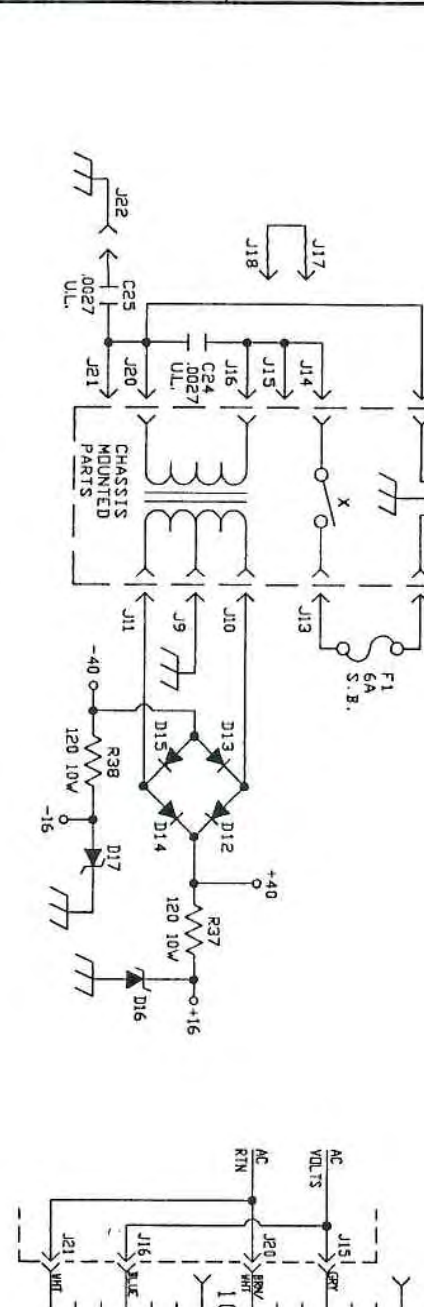
CAUTION: THIS SCHEMATIC IS PROVIDED FOR USE BY QUALIFIED PERSONNEL. TO AVOID RISK OF ELECTRIC SHOCK, REFER SERVICING TO QUALIFIED SERVICE PERSONNEL. DO NOT PERFORM ANY SERVICING BEYOND THAT EXPLAINED IN THE OPERATING INSTRUCTIONS.

- NOTES
- 1) CAUTION, SHOCK HAZARDOUS!! THIS UNIT CONTAINS HAZARDOUS VOLTAGE. DISCONNECT POWER AND BE SURE POWER SUPPLY IS DISCHARGED BEFORE TOUCHING INTERNAL PARTS.
 - 2) UNLESS NOTED, RESISTOR VALUES IN OHMS, 1/4W-5% TOL. CAPACITOR VALUES IN MICROFARADS, 50V-10% TOL.
 - 3) VOLTAGES ARE MEASURED WITH 1 MEGOHM OSCILLOSCOPE AND 10 MEGOHM DIGITAL VOLTMETER.
 - 4) CIRCUIT GROUND ∇ CHASSIS GROUND ∇ SWITCH GROUND ∇ CHAN. A VOLUME.
 - 5) * - INDICATES ASSIGNED VALUES FOR (R12, C9, R62) ON THE G-130CKH VERSION.





RIGHT CHANNEL SAME AS LEFT, ADD 100 TO DESIGNATORS EXCEPT FOR THE FOLLOWING: R7, R8, R34-R44, C3, C4, C5, C15, C17, C20-C26, D3, D12-D21, Q13, J1-J5, J8-J22.



EXPORT WIRING

16-130-01 REFLECTS P.C.B. 06A530-01
 16-131-01 REFLECTS P.C.B. 06A530-02

TEST POINTS	VOLTAGE (RMS)	VOLTAGE (DC)
1		-15
2	.32	.7
3		.38
4		3.9
5		4.2
7		.7
8		38.5
19		

CONDITIONS: TEST POINTS AND VOLTAGES TO BE SAME FOR BOTH CHANNELS.

CAUTION:
 THIS SCHEMATIC IS PROVIDED FOR USE BY QUALIFIED PERSONNEL. TO AVOID RISK OF ELECTRIC SHOCK, REFER SERVICING TO QUALIFIED SERVICE PERSONNEL. DO NOT PERFORM ANY SERVICING BEYOND THAT EXPLAINED IN THE OPERATING INSTRUCTIONS.

- NOTES**
- 1) CAUTION, SHOCK HAZARD!! THIS UNIT CONTAINS HAZARDOUS VOLTAGE. DISCONNECT POWER AND BE SURE POWER SUPPLY IS DISCHARGED BEFORE TOUCHING INTERNAL PARTS.
 - 2) UNLESS NOTED, RESISTOR VALUES IN OHMS, 1/4W-5% TOL. CAPACITOR VALUES IN MICROFARADS, 50V-10% TOL.
 - 3) VOLTAGES ARE MEASURED WITH 1 MEGOHM OSCILLOSCOPE AND 10 MEGOHM DIGITAL VOLTMETER.
 - 4) CIRCUIT GROUND ∇ SWITCH GROUND ∇ CHASSIS GROUND ∇ SET AP-1 & AP-101 FOR 3MV ACROSS R26, R27, R126 AND R127.

REV	DATE	BY	CHK'D	DESCRIPTION
4	10/22/92	TEXT		CHANGED DRAWING TITLE
3	7/2/92	SMR		CHANGED R82 FROM 1.5K TO 2.2K (-02 VERSION ONLY)
B	03/14/91	MCA		SEE SHEET 1
A	9-13-90	ML		SEE SHEET 1

DRAWN:	ML	DATE:	7/26/90
CHK'D:	TEK	PROJECT NAME:	GX-130C/GX-130CH
APP'D:	TEK	ORIGINAL ISSUED:	7-28-90
PLOT DATE:	10/20/92	DRAWING NAME:	SCHEMATIC DRAWING
FILE NAME:	-1300114	DRAWING NO.:	16-130-01 GX.3
		SCALE:	NONE
		SHEETS:	2 of 2

DESIGNATOR	DESCRIPTION	PART NUMBER
AP1.101	500 OHM TRIM	71-501-02
D1, 2, 5, 8	1N746	21A146-01
D101, 102, 105	1N746	21A146-01
D108	1N4740	21A146-01
D3	1N4740	21A146-01
D4, 7, 18-20	1N914	21A914-01
D7, 8, 10, 17	1N914	21A914-01
D6, 9, 106, 109	1N3070	21A370-01
D10, 11, 110, 111	1N5393	21A533-01
D12-15	G1752	21-752-01
D16, 17	1N5353	21-553-01
D21	1N4749	21A449-01
Q1, 2, 3, 7, 13	MPS A56	96-056-01
Q101, 102, 103	MPS A56	96-056-01
Q107	MPS A56	96-056-01
Q4, 1, 04	2N3440	96-340-01
Q5, 1, 05	2N3402	96-342-01
Q6, 1, 06	MPS A06	96-006-01
Q8, 1, 08	T1P 31C	96-031-03
Q9, 1, 09	T1P 32C	96-032-03
Q10, 1, 10	MJ15001	96-101-01
Q11, 1, 11	MJ15002	96-102-01
Q12, 1, 12	J178	96-178-01
J1-5	1/4 CLIFF TRS	39-118-01
J6, 1, 06	1/4 CLIFF T/S	39-118-01
J7, 1, 07	1/4 CLIFF T/S	39-118-01
J8	1.1 PIN HEADER	17-310-11
J9-21	.250" PIN HEADER	17-836-01
J22	GROUND LUG	17-500-01