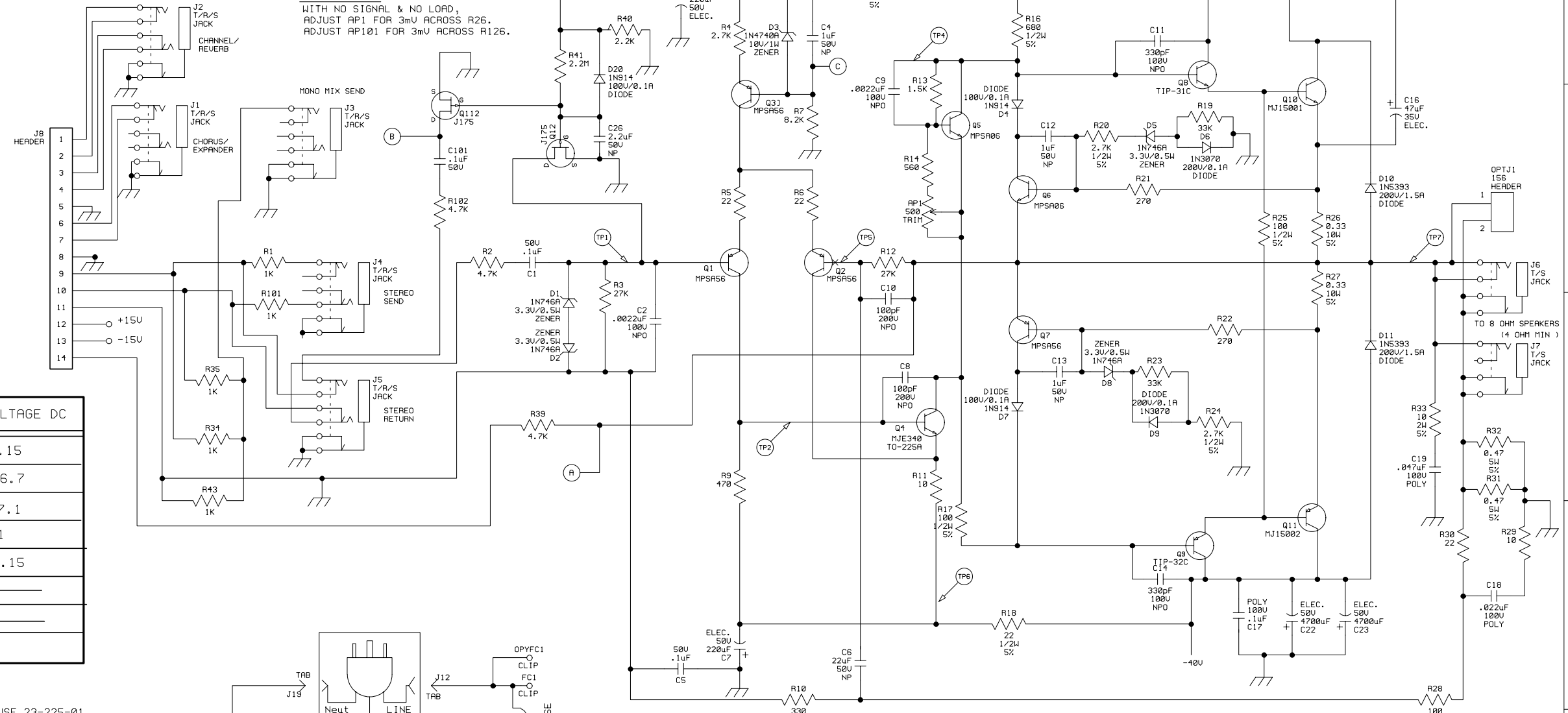


NOTES:
 1) CAUTION: SHOCK HAZARD!! THIS UNIT CONTAINS HAZARDOUS VOLTAGE. DISCONNECT POWER AND BE SURE POWER SUPPLY IS DISCHARGED BEFORE TOUCHING INTERNAL PARTS.
 2) UNLESS NOTED, RESISTOR VALUES IN OHMS, 1/4W-5% TOL. CAPACITOR VALUES IN MICROFARADS, 50V-10% TOL.
 3) VOLTAGES ARE MEASURED WITH 1 MEGOHM OSCILLOSCOPE AND 10 MEGOHM DIGITAL VOLTMETER.

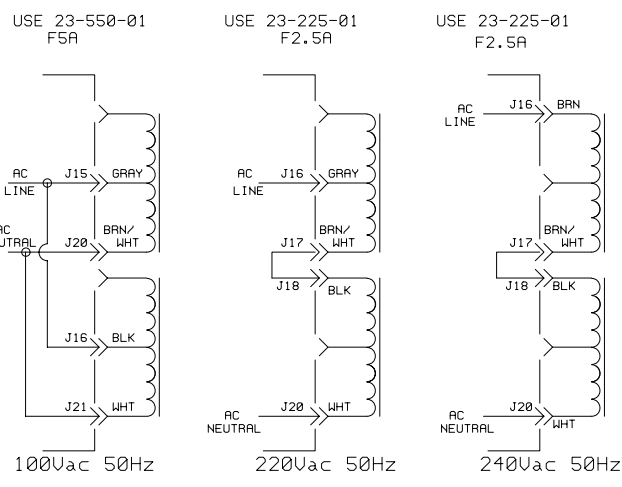
CAUTION: THIS SCHEMATIC IS PROVIDED FOR USE BY QUALIFIED PERSONNEL. TO AVOID RISK OF ELECTRIC SHOCK, REFER SERVICING TO QUALIFIED SERVICE PERSONNEL. DO NOT PERFORM ANY SERVICING BEYOND THAT EXPLAINED IN THE OPERATING INSTRUCTIONS.

BIAS ADJUST:
 WITH NO SIGNAL & NO LOAD, ADJUST AP1 FOR 3mV ACROSS R26. ADJUST AP101 FOR 3mV ACROSS R126.

LAST USED: R46, D22, C27, J27
 NOT USED:

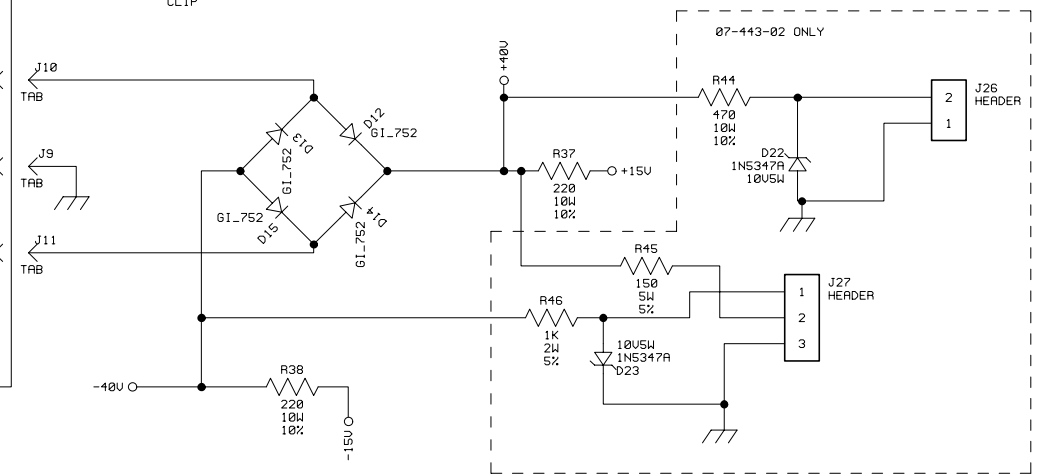


TP	VOLTAGE RMS	VOLTAGE DC
1	.33	.15
2	—	-36.7
3	.35 mV RIPPLE	37.1
4	15.2	1
5	.33	.15
6	36.8	—
7	14.2	—



EXPORT WIRING
 XFMR P/N 94-292-20

TEST CONDITIONS:
 8 OHM LOAD, 120VAC, 1KHZ 400mVRMS INPUT



07S443-01 DOMESTIC AS SHOWN WITH J6, J7, J106, J107
 07S443-02 DOMESTIC AS SHOWN WITH J6, J7, J106, J107
 07S443-03 EXPORT AS SHOWN WITH OPTJ1, OPTJ101
 07S443-04 EXPORT AS SHOWN WITH OPTJ1, OPTJ101

3	10/1/98	REM	TEK	Q12, Q112_TO_J175_PER
2	5/14/98	REM	TEK	RADIAL_CONVERSIONS_PER_ECO970661/970666
1	06/06/97	mga	tek	CHANGED_PARTS_ON_PICTORIAL
REV	DATE	BY	CHK'D	DESCRIPTION
SIGNATURES:		DATE:		11880 BORMAN DR. ST. LOUIS, MISSOURI 63146
DRAWN: REM		2/22/97		
CHK'D: TEK		2/22/97		PROJECT NAME:
APP'D: TEK		2/22/97		GX-140C/D_GUITAR_AMP
ORIGINAL ISSUED: 2/22/97		DRAWING NAME:		POWER_AMP_SCHEMATIC
PLOT DATE: 06/06/97		DRAWING NO.:		07S443-XX
FILE NAME: 44301C3		SCALE: NONE		SHEET: 1_OF_2

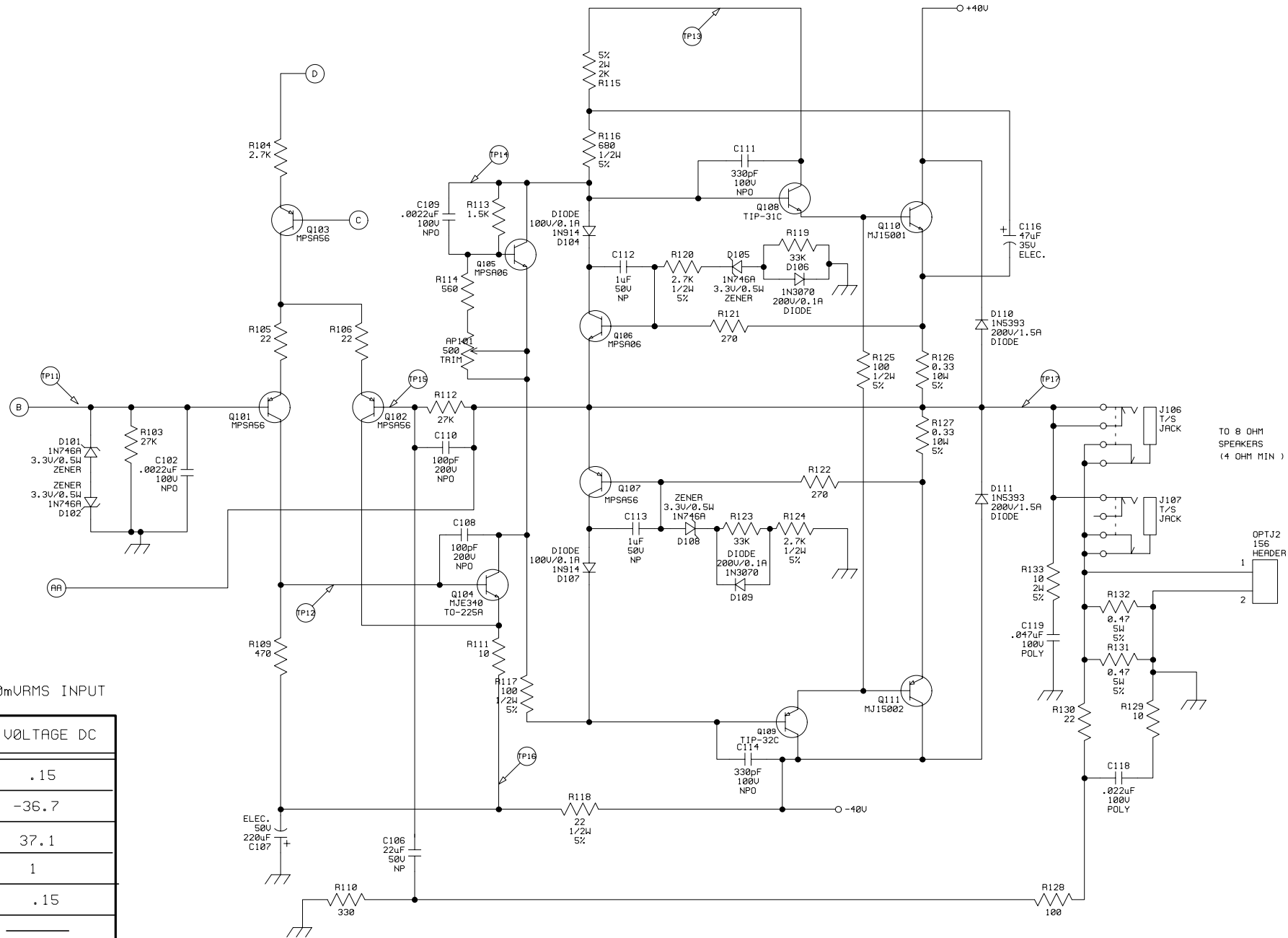
NOTES:

- 1) CAUTION: SHOCK HAZARD!! THIS UNIT CONTAINS HAZARDOUS VOLTAGE. DISCONNECT POWER AND BE SURE POWER SUPPLY IS DISCHARGED BEFORE TOUCHING INTERNAL PARTS.
- 2) UNLESS NOTED, RESISTOR VALUES IN OHMS, 1/4W-5% TOL. CAPACITOR VALUES IN MICROFARADS, 50V-10% TOL.
- 3) VOLTAGES ARE MEASURED WITH 1 MEGOHM OSCILLOSCOPE AND 10 MEGOHM DIGITAL VOLTMETER.

CAUTION:
THIS SCHEMATIC IS PROVIDED FOR USE BY QUALIFIED PERSONNEL. TO AVOID RISK OF ELECTRIC SHOCK, REFER SERVICING TO QUALIFIED SERVICE PERSONNEL. DO NOT PERFORM ANY SERVICING BEYOND THAT EXPLAINED IN THE OPERATING INSTRUCTIONS.

TEST CONDITIONS:
8 OHM LOAD, 120VAC, 1KHZ 400mVRMS INPUT

TP	VOLTAGE RMS	VOLTAGE DC
11	.33	.15
12	—	-36.7
13	.35 mV RIPPLE	37.1
14	15.2	1
15	.33	.15
16	36.8	—
17	14.2	—



SEE SHT 1 FOR REV HISTORY

SIGNATURES:	DATE:	11880 BORMAN DR. ST. LOUIS, MISSOURI 63146
DRAWN: REM	2/22/97	PROJECT NAME:
CHK'D: TEK	2/22/97	GX-140C/D_GUITAR_AMP
APP'D: TEK	2/22/97	DRAWING NAME:
ORIGINAL ISSUED:	2/22/97	POWER_AMP_SCHEMATIC
PLOT DATE:	06/06/97	DRAWING NO. 07S443-XX
FILE NAME:	44301C3-	REV. 3_
	SCALE: NONE	SHEET: 2_OF_2