

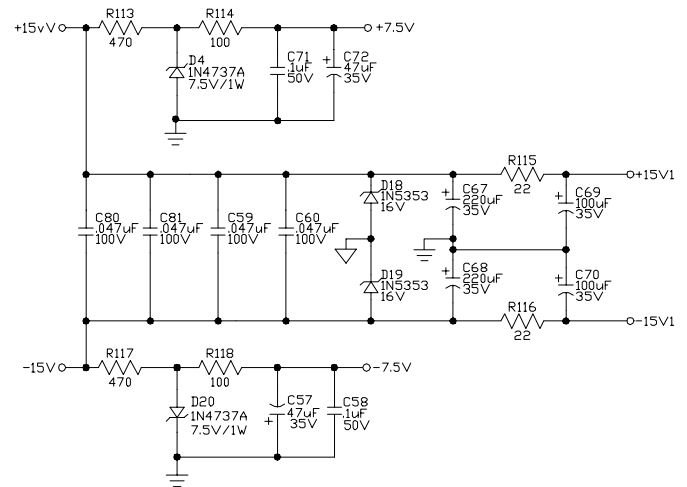
DESIGNATORS NOT USED:
IC2, Q24, D12, D13, D23, R47, R16,
R54, Q23, S3, J5-9

TEST POINT CONDITIONS:

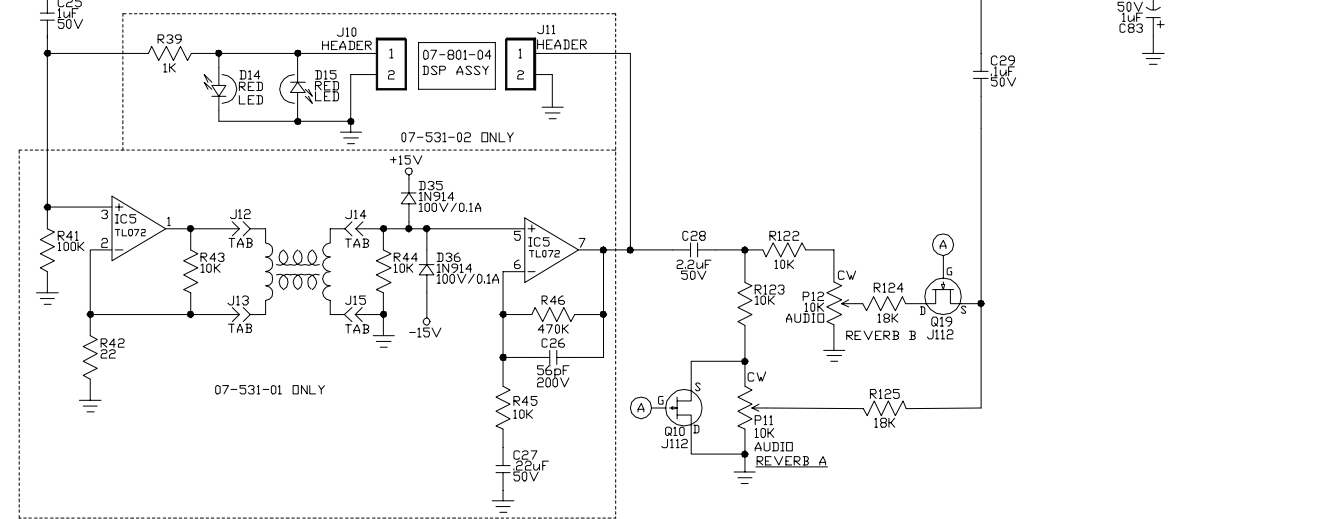
CONDITION 'A' = CHANNEL A, GAIN 1 SELECTED,
GAIN 1 @ '10', LOW & HIGH @ '5', LEVEL @ '10',
CHORUS OFF, REV @ '0', 1KHZ 40mV SINEWAVE INPUT.

CONDITION 'B' = CHANNEL A, GAIN 2 SELECTED,
GAIN 2 @ '10', LOW, HIGH @ SHAPE '5', LEVEL @ '10',
CHORUS OFF, REV @ '0', 1KHZ 40mV SINEWAVE INPUT.

CONDITION 'C' = CHANNEL B, LEVEL @ '10',
LOW, MID, HIGH @ '5',
CHORUS OFF, REV @ '0', 1KHZ 130mV SINEWAVE INPUT.



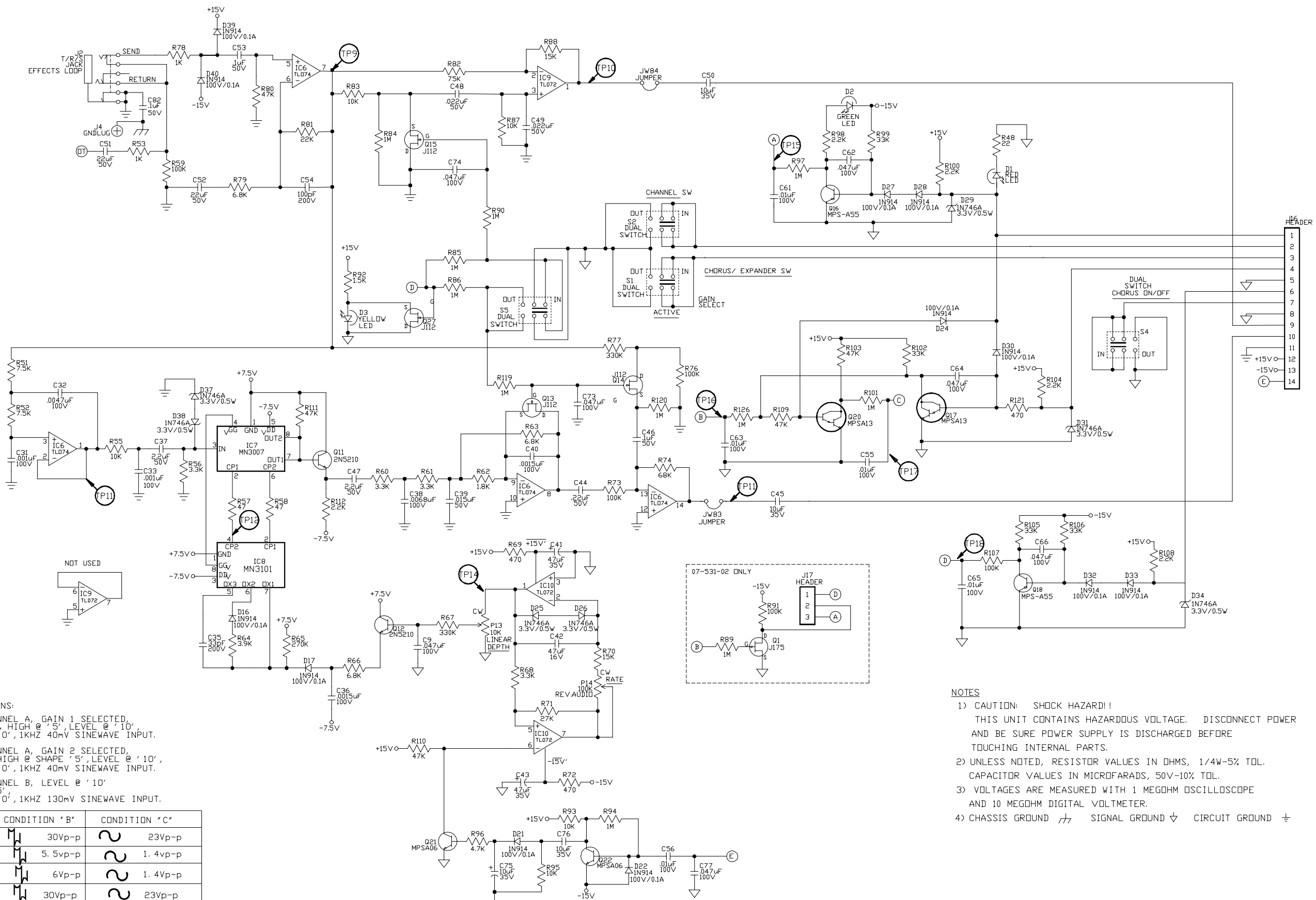
- NOTES
- 1) CAUTION: SHOCK HAZARD!
THIS UNIT CONTAINS HAZARDOUS VOLTAGE. DISCONNECT POWER AND BE SURE POWER SUPPLY IS DISCHARGED BEFORE TOUCHING INTERNAL PARTS.
 - 2) UNLESS NOTED, RESISTOR VALUES IN OHMS, 1/4W-5% TOL. CAPACITOR VALUES IN MICROFARADS, 50V-10% TOL.
 - 3) VOLTAGES ARE MEASURED WITH 1 MEGOHM OSCILLOSCOPE AND 10 MEGOHM DIGITAL VOLTMETER.
 - 4) CHASSIS GROUND \perp SIGNAL GROUND ∇ CIRCUIT GROUND \oplus



TP	CONDITION 'A'	CONDITION 'B'	CONDITION 'C'
1	~ .48Vp-p	~ .48Vp-p	~ 1.5Vp-p
2	~ 5.2Vp-p	~ 16Vp-p	~ 5.4Vp-p
3	~ 6.4Vp-p	~ 7Vp-p	~ .55Vp-p
4	~ 5Vp-p	~ 5Vp-p	—
5	~ 12Vp-p	~ 14Vp-p	—
6	~ 2.8Vp-p	~ 2.8Vp-p	~ 9Vp-p
7	~ 6Vp-p	~ 8Vp-p	~ 6Vp-p
8	~ 6Vp-p	~ 8Vp-p	~ 6Vp-p

CAUTION:
THIS SCHEMATIC IS PROVIDED FOR USE BY QUALIFIED PERSONNEL. TO AVOID RISK OF ELECTRICAL SHOCK, REFER SERVICING TO QUALIFIED SERVICE PERSONNEL. DO NOT PERFORM ANY SERVICING BEYOND THAT IN THE OPERATING INSTRUCTIONS.

11/03/97	DLS	MADE CHANGES TO PICTORAL PER E970657, E970658		
09/26/97	SWR	CHANGED VALUE OF P7. REDRAWN IN AUTOCAD. PER ECO #970322.		
REV	DATE	BY	CHK'D	DESCRIPTION
SIGNATURES:		DATE:		11880 BORMAN DR. ST. LOUIS, MISSOURI 63146
DRAWN: REM		02/05/97		
CHK'D: TEK		02/05/97		PROJECT NAME:
APP'D: TEK		02/05/97		GX-140C/D
ORIGINAL ISSUED: 02/05/97				DRAWING NAME:
PLOT DATE: 11/03/97				SCHEMATIC
PLOT TIME: 09:54:40				DRAWING NO. 07S531-01
FILE NAME: 53101h2				REV 2
		SCALE: 1:1		SHEET: 1 OF 2



TEST POINT CONDITIONS:

CONDITION 'A' = CHANNEL A, GAIN 1 SELECTED, GAIN 1 @ '10', LOW & HIGH @ '5', LEVEL @ '10', CHORUS OFF, REV @ '0', 1KHZ 40mV SINEWAVE INPUT.

CONDITION 'B' = CHANNEL A, GAIN 2 SELECTED, GAIN 2 @ '10', LOW, HIGH @ SHAPE '5', LEVEL @ '10', CHORUS OFF, REV @ '0', 1KHZ 40mV SINEWAVE INPUT.

CONDITION 'C' = CHANNEL B, LEVEL @ '10', LOW, MID, HIGH @ '5', CHORUS OFF, REV @ '0', 1KHZ 130mV SINEWAVE INPUT.

TP	CONDITION 'A'	CONDITION 'B'	CONDITION 'C'
9	25Vp-p	30Vp-p	23Vp-p
10	5Vp-p	5.5Vp-p	1.4Vp-p
11	6Vp-p	6Vp-p	1.4Vp-p
12	30Vp-p	30Vp-p	23Vp-p
13	13Vp-p 250-125KHZ	13Vp-p 250-125KHZ	13Vp-p 250-125KHZ
14	3Vp-p 1.2HZ	3Vp-p 1.2HZ	3Vp-p 1.2HZ
15	-10VDC	-10VDC	0VDC
16	+10VDC	0VDC	+10VDC
17	+10VDC	+10VDC	0VDC GAIN SELECT 1 +10VDC GAIN SELECT 2
18	0	0	0 CHORUS OFF -15VDC CHORUS ON

- NOTES
- CAUTION: SHOCK HAZARD!! THIS UNIT CONTAINS HAZARDOUS VOLTAGE. DISCONNECT POWER AND BE SURE POWER SUPPLY IS DISCHARGED BEFORE TOUCHING INTERNAL PARTS.
 - UNLESS NOTED, RESISTOR VALUES IN OHMS, 1/4W-5% TOL. CAPACITOR VALUES IN MICROFARADS, 50V-10% TOL.
 - VOLTAGES ARE MEASURED WITH 1 MEGOHM OSCILLOSCOPE AND 10 MEGOHM DIGITAL VOLTMETER.
 - CHASSIS GROUND ↕ SIGNAL GROUND ⚡ CIRCUIT GROUND ⊕

CAUTION: THIS SCHEMATIC IS PROVIDED FOR USE BY QUALIFIED PERSONNEL. TO AVOID RISK OF ELECTRICAL SHOCK, REFER SERVICING TO QUALIFIED SERVICE PERSONNEL. DO NOT PERFORM ANY SERVICING BEYOND THAT IN THE OPERATING INSTRUCTIONS.

SEE SHEET 1 OF 2 FOR REVISION HISTORY

SIGNATURES:	DATE:	1180 BORMAN DR. ST. LOUIS, MISSOURI 63146
DRAWN: REM	02/05/97	PROJECT NAME:
CHK'D: TEK	02/05/97	GX-140C/D
APP'D: TEK	02/05/97	DRAWING NAME:
ORIGINAL ISSUED:	02/05/97	SCHEMATIC
PLOT DATE:	11/03/97	DRAWING NO. 07S531-01
PLOT TIME:	09:54:40	REV 2_
FILE NAME:	53101h2_	SCALE: 1:1 SHEET: 2 OF 2