

REF DES	PART #	DESCRIPTION	QTY
OPTC1	12R106-35	10uF 35V	
C2	10A101-21	100pF 200V	
C3	10A102-11	.001uF 100V	
C4	10A104-01	.1uF 50V	
C5	10A471-11	470pF 100V	
OPTC3	12R106-35	10uF 35V	
C7	10A104-01	.1uF 50V	
OPTC6	12R225-50	2.2uF 50V	
C9	10A104-01	.1uF 50V	
C10	10A472-11	.0047uF 100V	
** C11	10A101-21	100pF 200V	
C12	10A222-11	.0022uF 100V	
OPTC9	12R225-50	2.2uF 50V	
OPTC4	12R105-50	1uF 50V	
* C15	10A103-11	.01uF 100V	
* C19	10A104-01	.1uF 50V	
C20	10A102-11	.001uF 100V	
C21	10F224-03	.22uF 100V	
C22	10F224-03	.22uF 100V	
OPTC10	12R106-35	10uF 35V	
C24	10A223-01	.0022uF 50V	
C25	10F224-03	.22uF 100V	
C26	10A104-01	.1uF 50V	
C28	12-228-26	2200uF 25V	
C29	12R226-16	22uF 16V	
C30	12-228-26	2200uF 25V	
C31	12R226-16	22uF 16V	
D1	21A914-01	1N914	100V/0.1A
D2	21A914-01	1N914	100V/0.1A
D3	21A146-01	1N746A	3.3V/0.5W
D4	21A754-01	1N754A	6.8V/0.5W
D5	21A914-01	1N914	100V/0.1A
D6	21A146-01	1N746A	3.3V/0.5W
D7	21A754-01	1N754A	6.8V/0.5W
D8	21A914-01	1N914	100V/0.1A
D9	21A402-01	1N4002	100V/1A
D10	21A402-01	1N4002	100V/1A
D11	21A402-01	1N4002	100V/1A
D12	21A402-01	1N4002	100V/1A
D13	21A402-01	1N4002	100V/1A
D14	21A402-01	1N4002	100V/1A
D15	21-224-01	RED LED	

REF DES	PART #	DESCRIPTION	QTY
IC1	37-074-01	TLO74	
* IC2	37-532-01	NE5532	
IC3	37-230-02	TDA2030U	
J1	39-116-01	T/S 1/4" JACK	
J2	39-117-01	T/R/S 1/4" JACK	
J3	39-116-01	T/S 1/4" JACK	
* J4	17-105-02	.1" 2 PIN LOCKING HEADER	
* J5	17-105-02	.1" 2 PIN LOCKING HEADER	
* J6	17-309-02	.156" 2 PIN LOCKING HEADER	
J7	17-310-03	.156" 3 PIN HEADER	
P1	70-254-91	250KL D-SHAFT POT 20%	
P2	70-254-91	250KL D-SHAFT POT 20%	
P3	70-103-92	10KA D-SHAFT POT 20%	
P4	70-103-92	10KA D-SHAFT POT 20%	
P5	70-501-92	500A D-SHAFT POT 20%	
P6	70-103-91	10KL D-SHAFT POT 20%	
* P7	70-103-92	10KA D-SHAFT POT 20%	

DO NOT INSTALL; OPTIONAL (SHOWN FOR REFERENCE ONLY)

REF DES	PART #	DESCRIPTION	QTY
OPTC2	10F104-03	.1uF 100V	
OPTC5	10F104-03	.1uF 100V	
OPTC7	10F104-03	.1uF 100V	
OPTC8	10F104-03	.1uF 100V	

REF DES	PART #	DESCRIPTION	QTY
R1	76-222-01	2.2K	
R2	76-274-01	270K	
R3	76-222-01	2.2K	
R4	76-152-01	1.5K	
R5	76-222-01	2.2K	
R6	76-103-01	10K	
R7	76-471-01	470	
R9	76-222-01	2.2K	
R10	76-223-01	22K	
R11	76-223-01	22K	
R12	76-472-01	4.7K	
R13	76-474-01	470K	
R14	76-473-01	47K	
R15	76-473-01	47K	
R16	76-473-01	47K	
R19	76-473-01	47K	
** R20	76-153-01	15K	
* R21	76-332-01	3.3K	
* R22	76-103-01	10K	
* R23	76-100-01	10	
* R24	76-223-01	22K	
* R28	76-101-01	100	
R30	76-103-01	10K	
* R31	76-103-01	10K	
R32	76-683-01	68K	
R33	76-102-01	1K	
R34	76-470-01	47	
R35	76-101-01	100	
R37	76-010-01	1	
R38	76-471-01	470	
R39	76-470-01	47	
* R40	76-153-01	15K	
R41	76-221-01	220	
R42	76-221-01	220	
R43	76-152-01	1.5K	
R44	76-010-01	1	
R45	76-010-01	1	
R46	76-010-01	1	
R47	76-010-01	1	
R48	76-010-01	1	
R49	76-010-01	1	
R50	76-010-01	1	
R51	76-010-01	1	
R52	76-010-01	1	
R53	76-010-01	1	

REF DES	PART #	DESCRIPTION	QTY
S1	88-302-03	DUAL SWITCH	
JW1,2,6-11	76-000-XX	JUMPER	
* JW3,4,5	76-000-XX	JUMPER	

MISCELLANEOUS HARDWARE		
QUANTITY	PART #	DESCRIPTION
1	33-047-01	HEATSINK
1	30-011-01	RIUSCREW
1	06A247-01	PC BOARD

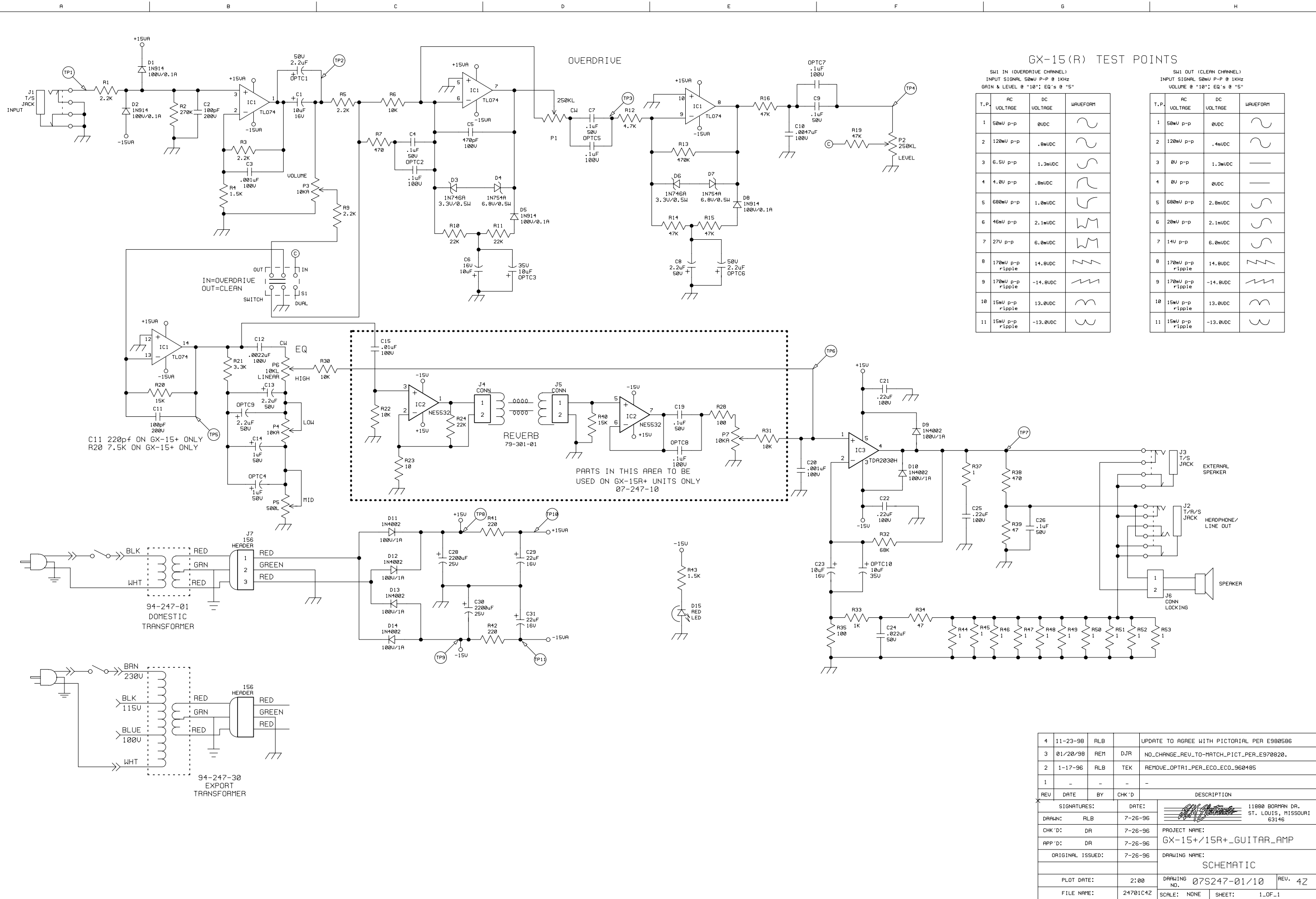
NOTE:
 * TO BE USED ON GX-15R+ UNIT 07-247-10 ONLY.
 ** R20 TO BE 7.5K 1/4W 76-752-01 AND C11 TO BE 220pf 100V 10A221-11 ON GX-15+ UNIT 07-247-01.
 *** OPTIONAL
 (3) C1, C6, C8, C13, C14, C23 NOT USED.

- NOTES
- 1) CAUTION: SHOCK HAZARD!! THIS UNIT CONTAINS HAZARDOUS VOLTAGE. DISCONNECT POWER AND BE SURE POWER SUPPLY IS DISCHARGED BEFORE TOUCHING INTERNAL PARTS.
 - 2) UNLESS NOTED, RESISTOR VALUES IN OHMS, 1/4W-5%TOL. CAPACITOR VALUES IN MICROFARADS, 50V-10%TOL.
 - 3) VOLTAGES ARE MEASURED WITH 1 MEGOHM OSCILLOSCOPE AND 10 MEGOHM DIGITAL VOLTMETER.

REV	DATE	DESCRIPTION	ECO/ECR NO	CHNG'D BY	APPR'D BY	DATE
4	11/15/99	10R224-03 CAPS TO 12F J4, J5, HERE 17-101-02	N00132 ECO960586	REB		-
3	1/21/98	CHANGED 12R CAPS TO 12R CAPS	ECO970820	REB	DJR	-
2	1/17/91	REMOVED OPTR1 FROM S/S_B/H	ECO960485	REB	DJR	-
1	8/21/96	ADDED D15 & R43	ECO960358	REB	DJR	-

THIS INFORMATION CONTAINED ON THIS DRAWING IS PROPRIETARY TO ST. LOUIS MUSIC, INC.

SIGNATURES:		DATE:	11888 Borman Dr. St. Louis, Missouri 63146
DRAWN: REB		7/30/96	
CHK'D:		FIRST USED ON:	GX-15+/15R+_GUITAR_AMP
RLS'D:		DRAWING TITLE:	PICTORIAL
TOLERANCES:	DRAWING SIZE: C	DRAWING NO.:	07P247-01
	DRAWING TYPE: ASSY	SCALE: 1:1	SHEET: SHT 1 OF 1



GX-15(R) TEST POINTS

SW1 IN (OVERDRIVE CHANNEL) INPUT SIGNAL 50mV P-P @ 1KHz GAIN & LEVEL @ "10"; EQ's @ "5"				SW1 OUT (CLEAN CHANNEL) INPUT SIGNAL 50mV P-P @ 1KHz VOLUME @ "10"; EQ's @ "5"			
T.P.	AC VOLTAGE	DC VOLTAGE	WAVEFORM	T.P.	AC VOLTAGE	DC VOLTAGE	WAVEFORM
1	50mV p-p	0VDC		1	50mV p-p	0VDC	
2	120mV p-p	.8mVDC		2	120mV p-p	.4mVDC	
3	6.5V p-p	1.3mVDC		3	8V p-p	1.3mVDC	
4	4.0V p-p	.8mVDC		4	8V p-p	0VDC	
5	680mV p-p	1.0mVDC		5	680mV p-p	2.8mVDC	
6	45mV p-p	2.1mVDC		6	20mV p-p	2.1mVDC	
7	27V p-p	6.8mVDC		7	14V p-p	6.8mVDC	
8	170mV p-p ripple	14.8VDC		8	170mV p-p ripple	14.8VDC	
9	170mV p-p ripple	-14.8VDC		9	170mV p-p ripple	-14.8VDC	
10	15mV p-p ripple	13.0VDC		10	15mV p-p ripple	13.0VDC	
11	15mV p-p ripple	-13.0VDC		11	15mV p-p ripple	-13.0VDC	

4	11-23-98	RLB		UPDATE TO AGREE WITH PICTORIAL PER E980586
3	01/20/98	REM	DJR	NO_CHANGE_REU_TO_MATCH_PICT_PER_E970820.
2	1-17-96	RLB	TEK	REMOVE_OPTR1_PER_ECO_ECO_960485
1	-	-	-	-
REV	DATE	BY	CHK'D	DESCRIPTION
SIGNATURES:		DATE:	11800 BORMAN DR. ST. LOUIS, MISSOURI 63146	
DRAWN:	RLB	7-26-96		
CHK'D:	DR	7-26-96	PROJECT NAME: GX-15+/15R+_GUITAR_AMP	
APP'D:	DR	7-26-96	DRAWING NAME: SCHEMATIC	
ORIGINAL ISSUED:	7-26-96			
PLOT DATE:	2:00	DRAWING NO.	07S247-01/10	REV. 42
FILE NAME:	24701C4Z	SCALE:	NONE	SHEET: 1_OF_1