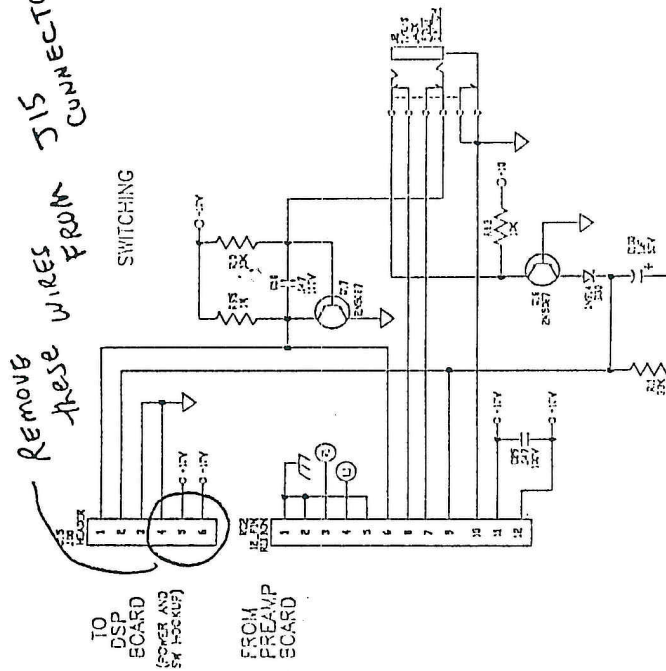
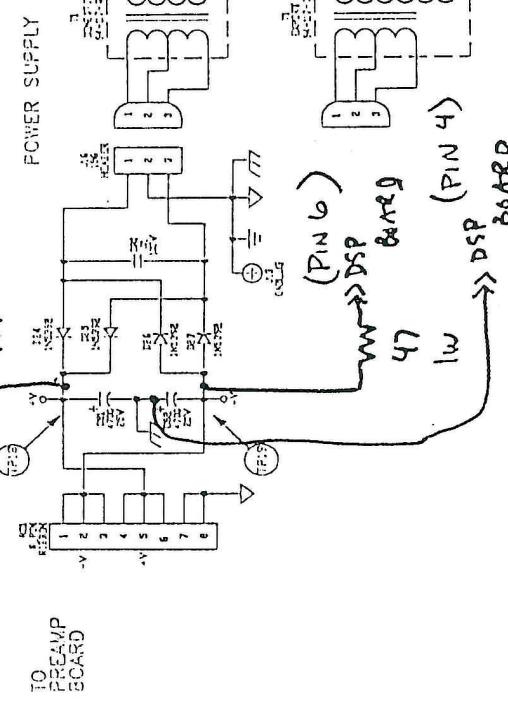


Remove these wires from TIS WINDING



TO DSP BOARD (PIN 5)



TO PREAMP BOARD

PIN	AC VOLTS	DC VOLTS	WAVEFORM
1	60V P-P	---	---
2	4.2V P-P	1V DC	---
3	60V P-P	3.2V DC	---
4	3.2V P-P	---	---
5	17V P-P	---	---
6	6.4V P-P	---	---
7	16V P-P	---	---
8	3.6V P-P	---	---
9	6.5V P-P	---	---
10	15V P-P	---	---
11	1V P-P	---	---
12	2V P-P	---	---
13	2V P-P	---	---
14	10V P-P	---	---
15	16V P-P	---	---
16	35V P-P	---	---
17	30V P-P	---	---
18	2V P-P RP	+15.3V DC	---
19	2V P-P RP	+15.3V DC	---
20	4V P-P RP	+10.3V DC	---
21	1V P-P RP	+10.3V DC	---
22	20V P-P RP	+1.2V DC	---
23	10V P-P RP	-1.2V DC	---

CHASSIS GND IS 0V. MEASURED AT DSP BOARD. ALL CONTROLS @ 1K. MEASURED OUT. 100V 1000 250V P-P

PIN	AC VOLTS	DC VOLTS	WAVEFORM
1	60V P-P	---	---
2	4.2V P-P	---	---
3	60V P-P	---	---
4	3.2V P-P	---	---
5	17V P-P	---	---
6	6.4V P-P	---	---
7	16V P-P	---	---
8	3.6V P-P	---	---
9	6.5V P-P	---	---
10	15V P-P	---	---
11	1V P-P	---	---
12	2V P-P	---	---
13	2V P-P	---	---
14	10V P-P	---	---
15	16V P-P	---	---
16	35V P-P	---	---
17	30V P-P	---	---
18	2V P-P RP	+15.3V DC	---
19	2V P-P RP	+15.3V DC	---
20	4V P-P RP	+10.3V DC	---
21	1V P-P RP	+10.3V DC	---
22	20V P-P RP	+1.2V DC	---
23	10V P-P RP	-1.2V DC	---

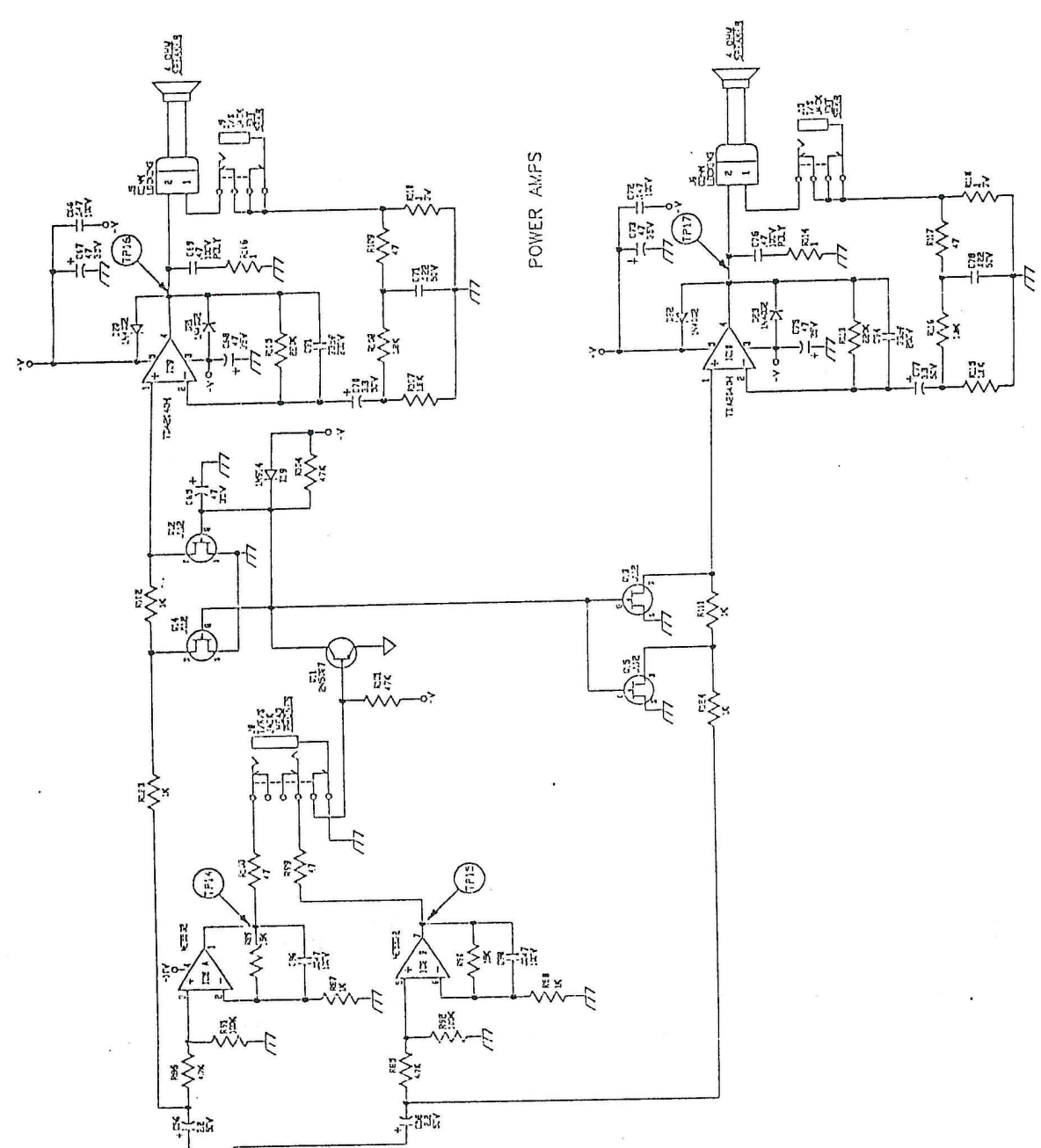
CHASSIS GND IS 0V. MEASURED AT DSP BOARD. ALL CONTROLS @ 1K. MEASURED OUT. 100V 1000 250V P-P

NOTES

- 1) CAUTION! SHOCK HAZARDOUS! THIS UNIT CONTAINS HAZARDOUS VOLTAGE. DISCONNECT POWER AND BE SURE POWER SUPPLY IS DISCHARGED BEFORE TOUCHING INTERNAL PARTS.
- 2) UNLESS NOTED, RESISTOR VALUES IN DRWS, 1/4W-5% TOL. CAPACITOR VALUES IN MICROFARADS, 50V-10% TOL.
- 3) VOLTAGES ARE MEASURED WITH 1 MEGOHM OSCILLOSCOPE AND 10 MEGOHM DIGITAL VOLTMETER.
- 4) CIRCUIT GROUND ∇ SWITCH GROUND ∇ CHASSIS GROUND ∇

CAUTION:

THIS SCHEMATIC IS PROVIDED FOR USE BY QUALIFIED PERSONNEL. TO AVOID RISK OF ELECTRIC SHOCK, REFER SERVICING TO QUALIFIED SERVICE PERSONNEL. DO NOT PERFORM ANY SERVICING BEYOND THAT EXPLAINED IN THE OPERATING INSTRUCTIONS.



REV	DATE	BY	CHK'D	DATE	SIGNATURES:	DESCRIPTION
3	01/03/92	SWR		11/06/92	MCA	CHANGED VALUE OF R46 FROM 1.2K TO 2.7K
2	01/03/92	SWR		11/06/92	OK	CHANGED VALUE OF R19, R23, R27, R78, R52, C21, C22, C54, C55, & C104. DELETED R35.
1	01/14/92	SWR		11/06/92	OK	

DESIGNED BY	TERRY BORDUK DR.
ST. LOUIS, MISSOURI	63148
PROJECT NAME	GX-40CDSP GUITAR AMP
DRAWING NAME	SCHEMATIC DRAWING
PLCT DATE	03/04/93
FILE NAME	0522553
SCALE	NONE
SHEET	2 OF 2