

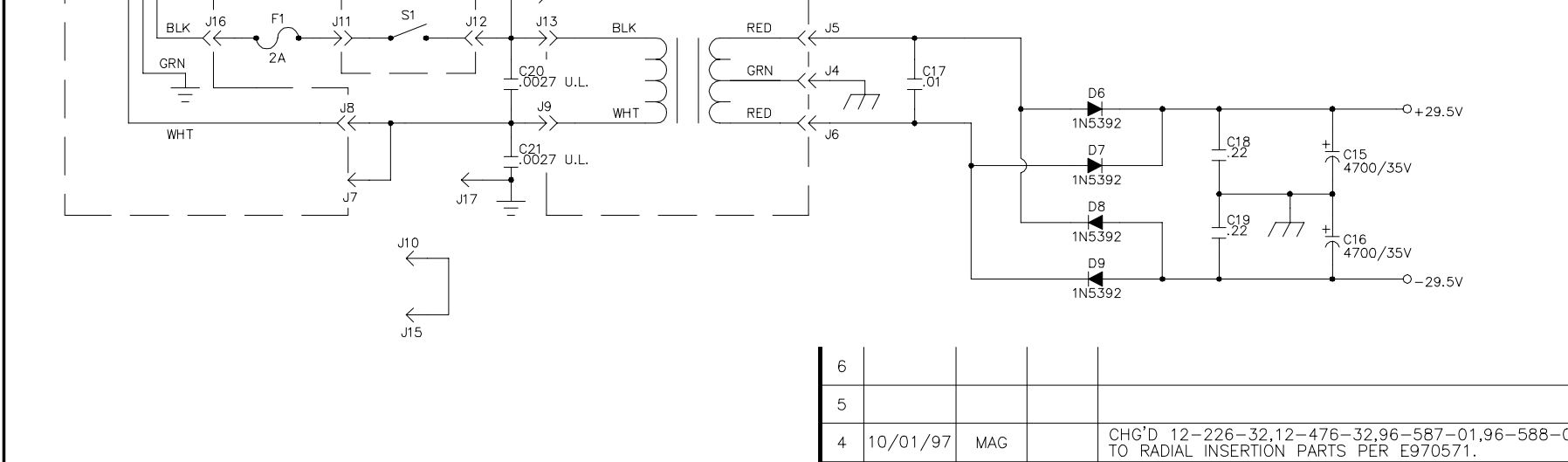
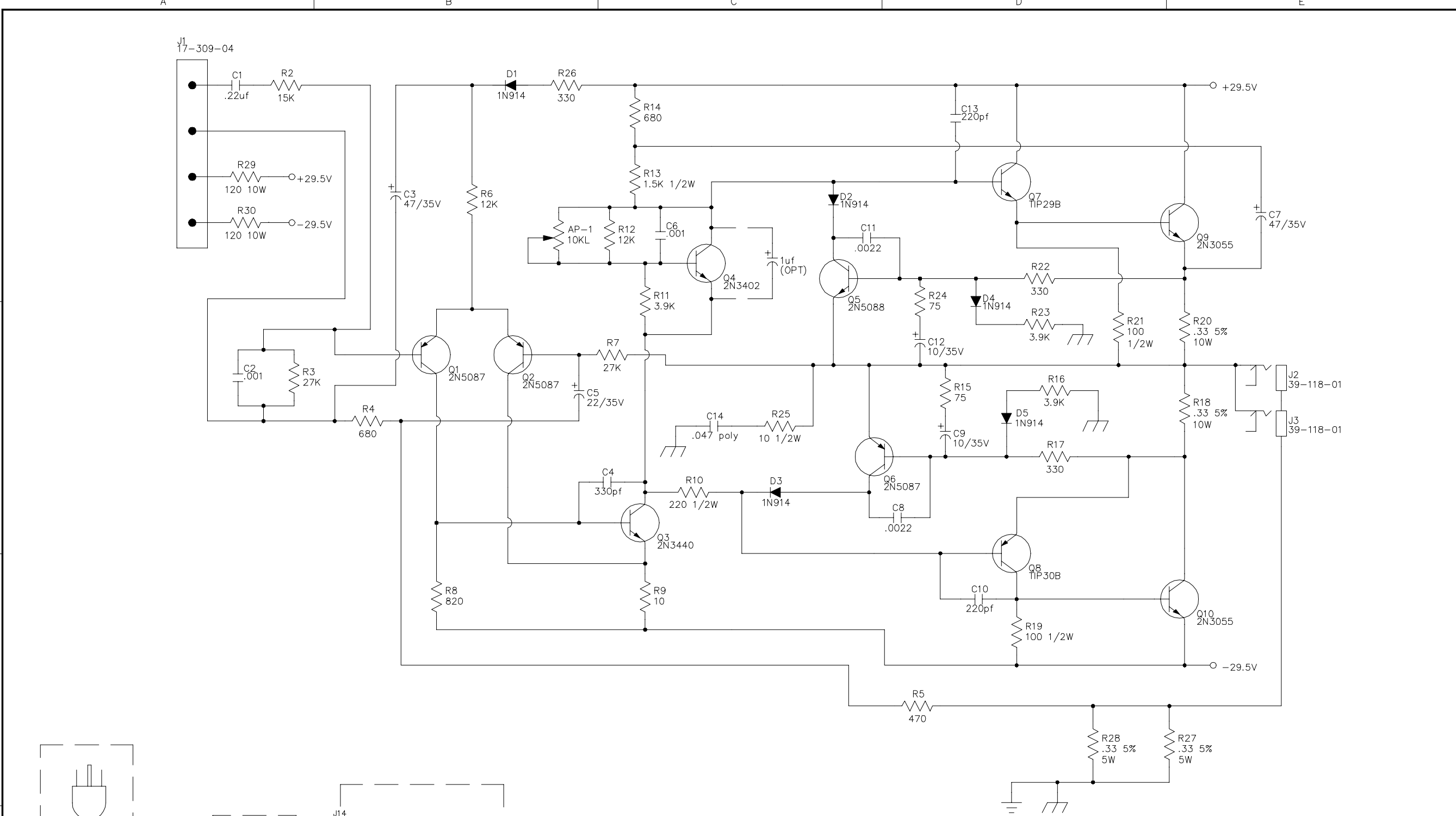
- NOTES**
- 1) CAUTION: SHOCK HAZARD!! THIS UNIT CONTAINS HAZARDOUS VOLTAGE. DISCONNECT POWER AND BE SURE POWER SUPPLY IS DISCHARGED BEFORE TOUCHING INTERNAL PARTS.
 - 2) UNLESS NOTED, RESISTOR VALUES IN OHMS, 1/4W-5% TOL. CAPACITOR VALUES IN MICROFARADS, 50V-10% TOL.
 - 3) VOLTAGES ARE MEASURED WITH 1 MEGOHM OSCILLOSCOPE AND 10 MEGOHM DIGITAL VOLTMETER.

CAUTION:
THIS SCHEMATIC IS PROVIDED FOR USE BY QUALIFIED PERSONNEL. TO AVOID RISK OF ELECTRIC SHOCK, REFER SERVICING TO QUALIFIED SERVICE PERSONNEL. DO NOT PERFORM ANY SERVICING BEYOND THAT EXPLAINED IN THE OPERATING INSTRUCTIONS.

REV	DATE	BY	CHK'D	DESCRIPTION
3				
2	5/22/98	REM		RADIAL CONVERSION PER ECO970668.
1	04/09/96	SWR		CHANGED J4 FROM: 17-894-01 TO: 17-836-01. PER ECO #960133.

SIGNATURES:		DATE:	
DRAWN: MGA		02/27/95	
CHK'D: TEK		02/27/95	
APP'D: TEK		02/27/95	
ORIGINAL ISSUED:		02/27/95	
PLOT DATE:		07/30/98	
PLOT TIME:		16:17:44	
FILE NAME:		54001h2_	

11860 BORMAN DR. ST. LOUIS, MISSOURI 63148	
PROJECT NAME: GX-SERIES GUITAR HEAD	
DRAWING NAME: SCHEMATIC DRAWING	
DRAWING NO. 07-540-01/02	REV. 2_
SCALE: NTS	SHEET: 1 OF 1



REV	DATE	BY	CHK'D	DESCRIPTION
3	11/19/96	REM		CHG'D 01 FUSECLIPS TO 02 FUSECLIPS
2	02/01/95	JCJ		CHG'D DESIGNATOR Q3 FROM MPS-U-06 TO 2N3440 PER ECO # E0516
1	10/20/92	SWR		CHANGED TITLE OF DRAWING

SIGNATURES:		DATE:	11880 BORMAN DR. ST. LOUIS, MISSOURI 63146
DRAWN:	DAN	2/6/89	
CHK'D:			PROJECT NAME: GX-600H
APP'D:			DRAWING NAME: SCHEMATIC DRAWING
ORIGINAL ISSUED:	2/6/89		DRAWING NO. 07S422-01
PLOT DATE:	10/01/97		SCALE: 1:1
PLOT TIME:	14:26:32		SHEET: 1 OF 1
FILE NAME:	42201h4_		

6				
5				
4	10/01/97	MAG		CHG'D 12-226-32,12-476-32,96-587-01,96-588-01 TO RADIAL INSERTION PARTS PER E970571.