

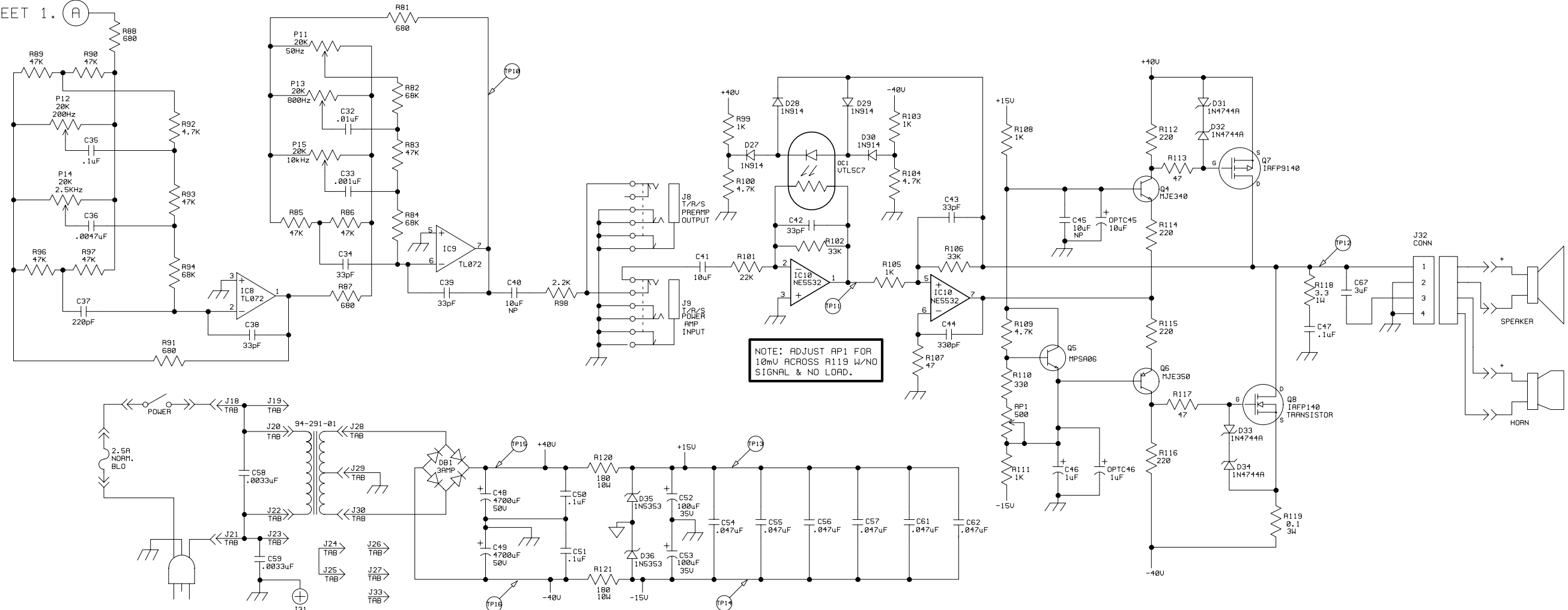
TO SHEET 2.

NOTES:  
 1) CAUTION: SHOCK HAZARD!! THIS UNIT CONTAINS HAZARDOUS VOLTAGE. DISCONNECT POWER AND BE SURE POWER SUPPLY IS DISCHARGED BEFORE TOUCHING INTERNAL PARTS.  
 2) UNLESS NOTED, RESISTOR VALUES IN OHMS, 1/4W-5% TOL. CAPACITOR VALUES IN MICROFARADS, 50V-10% TOL.  
 3) VOLTAGES ARE MEASURED WITH 1 MEGOHM OSCILLOSCOPE AND 10 MEGOHM DIGITAL VOLTMETER.

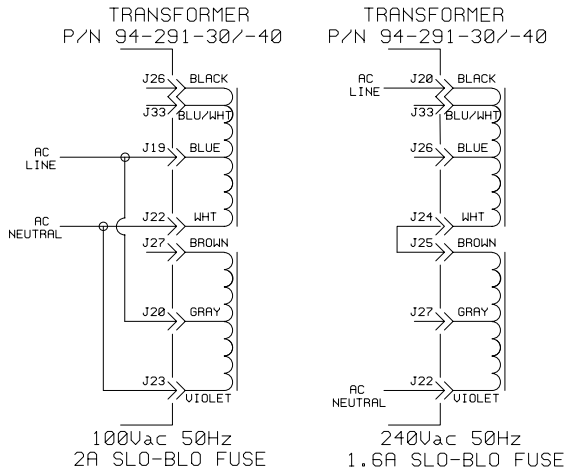
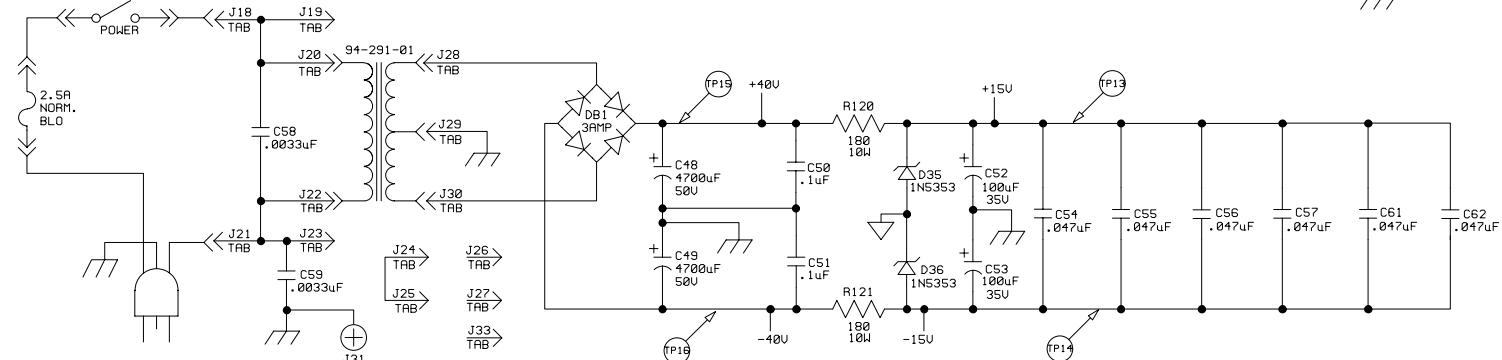
CAUTION:  
 THIS SCHEMATIC IS PROVIDED FOR USE BY QUALIFIED PERSONNEL. TO AVOID RISK OF ELECTRIC SHOCK, REFER SERVICING TO QUALIFIED SERVICE PERSONNEL. DO NOT PERFORM ANY SERVICING BEYOND THAT EXPLAINED IN THE OPERATING INSTRUCTIONS.

4	1/28/98	WFB		12A CAPS TO 12A CAPS PER EC0970824, 970533
3				UNKNOWN
2	10/17/97	SWR		ADDED_J33_...PER_ECO_#970445.
1	01/03/97	MGA	TEK	CHANGE PART VALUE AND LOCATION AS PER EC0960565
REV	DATE	BY	CHK'D	DESCRIPTION
SIGNATURES:		DATE:		11800 BORMAN DR.
DRAWN:	SWR	05/31/96		ST. LOUIS, MISSOURI
CHK'D:	TEK	5/31/96		63146
APP'D:	TEK	05/31/96		PROJECT NAME:
ORIGINAL ISSUED:		5/31/96		KX-100_KEYBOARD_AMP
				DRAWING NAME:
				SCHEMATIC
PLOT DATE:	10/17/97	DRAWING NO.	07S544-01	REV. 4_
FILE NAME:	54401B4_	SCALE:	NONE	SHEET: 1_OF_2

FROM SHEET 1. (A)



NOTE: ADJUST AP1 FOR 10mV ACROSS R119 W/NO SIGNAL & NO LOAD.



**EXPORT WIRING**  
SEE NOTE 4

T. P.	AC RMS	DC VOLTS	SPECIAL CONDITIONS
1	5.1mV	—	1mVRMS BAL. INPUT @ J1
2	.20V	—	1mVRMS BAL. INPUT @ J1
3	.20V	—	1mVRMS BAL. INPUT @ J1
4	.20V	—	11mVRMS BAL. INPUT @ J3
5	.20V	—	11mVRMS BAL. INPUT @ J4
6	.20V	—	11mVRMS BAL. INPUT @ J5
7	.17V	—	
8	.17V	—	
9	.17V	—	
10	.17V	—	
11	.24V	—	
12	8V	.2	
13	—	+16.5	
14	—	-16.5	
15	1vp_p Ripple	+34	
16	1vp_p Ripple	-34	

TEST CONDITIONS: 120V<sub>ac</sub> - 60Hz POWER, ALL CONTROLS @ "10"  
EXCEPT TONES & EQ'S @ "5", 1KHz INPUT SIGNAL, 4 OHM LOAD.

- NOTES:
- CAUTION: SHOCK HAZARD!! THIS UNIT CONTAINS HAZARDOUS VOLTAGE. DISCONNECT POWER AND BE SURE POWER SUPPLY IS DISCHARGED BEFORE TOUCHING INTERNAL PARTS.
  - UNLESS NOTED, RESISTOR VALUES IN OHMS, 1/4W-5% TOL. CAPACITOR VALUES IN MICROFARADS, 50V-10% TOL.
  - VOLTAGES ARE MEASURED WITH 1 MEGOHM OSCILLOSCOPE AND 10 MEGOHM DIGITAL VOLTMETER.
  - THE BLU/WHT LEAD IS NOT USED ON THE 94-291-30. THE 94-291-30 WAS NOT CAPABLE OF 240V. FOR 230V WIRE THE XFMR BLK LEAD TO J20 FOR THE 94-291-30 AND WIRE THE BLU/WHT XFMR PRI. LEAD TO J20 FOR THE 94-291-40. J33 NOT USED ON SOME VERSIONS.

CAUTION: THIS SCHEMATIC IS PROVIDED FOR USE BY QUALIFIED PERSONNEL. TO AVOID RISK OF ELECTRIC SHOCK, REFER SERVICING TO QUALIFIED SERVICE PERSONNEL. DO NOT PERFORM ANY SERVICING BEYOND THAT EXPLAINED IN THE OPERATING INSTRUCTIONS.

NOTES:  
IC1-IC11 PIN 4=-15V, PIN 8 =+15V  
LAST DESIGNATOR IC11, R142, D41, J31, C64  
NOT USED DESIGNATOR R3,4,15,16,27,28,124

SEE SHEET 1 OF 2 FOR REVISION HISTORY

SIGNATURES:	DATE:	11880 BORMAN DR. ST. LOUIS, MISSOURI 63146
DRAWN: SHR	05/31/96	PROJECT NAME: KX-100_KEYBOARD_AMP
CHK'D: TEK	5/31/96	DRAWING NAME: SCHEMATIC
APP'D: TEK	05/31/96	DRAWING NO.: 07S544-01
ORIGINAL ISSUED:	5/31/96	REV. 4
PLOT DATE:	10/17/97	SCALE: NONE
FILE NAME:	54401B4-	SHEET: 2_OF_2