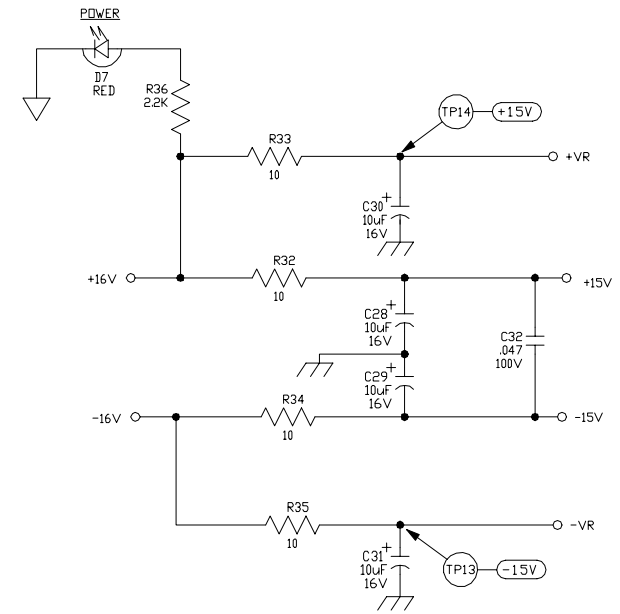
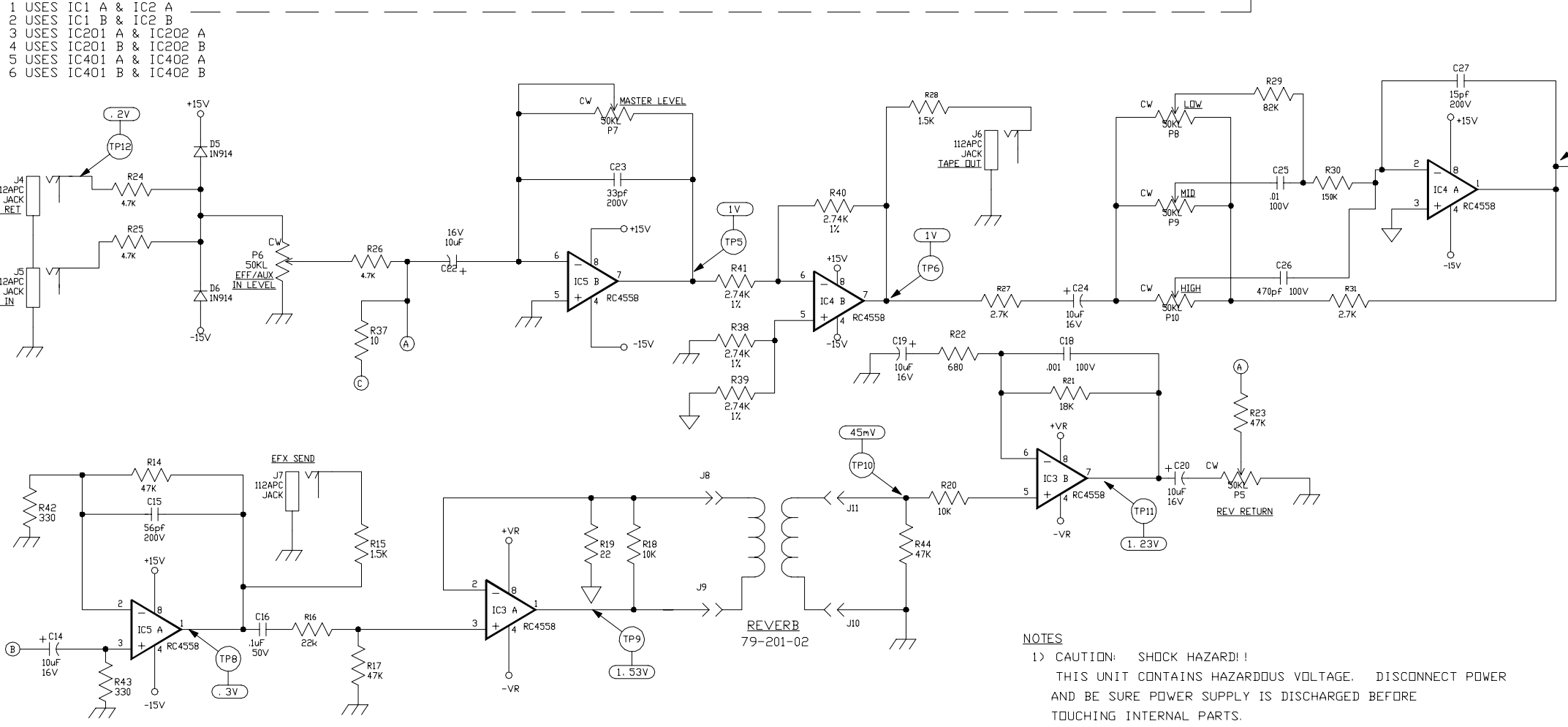
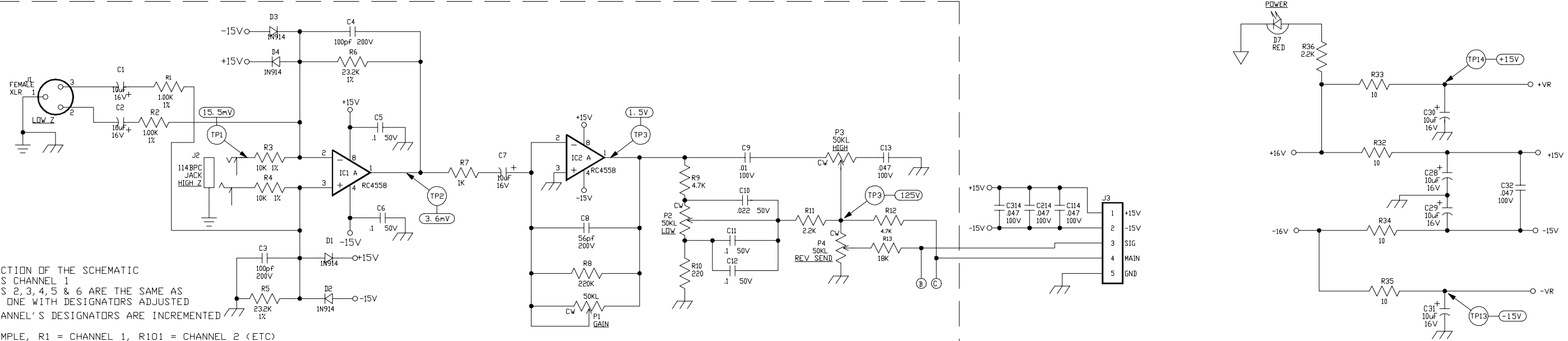


CAUTION:
THIS SCHEMATIC IS PROVIDED FOR USE BY QUALIFIED PERSONNEL. TO AVOID RISK OF ELECTRICAL SHOCK, REFER SERVICING TO QUALIFIED SERVICE PERSONNEL. DO NOT PERFORM ANY SERVICING BEYOND THAT IN THE OPERATING INSTRUCTIONS.

REV	DATE	BY	CHK'D	DESCRIPTION
5	1-27-99	RLB		UPDATE TO AGREE WITH PICTORIAL CHANGE PER ECO 990033
4	12-4-98	RLB		ADDED -02 TO NOTE CHANGE PER ECO 980619
③	4/28/98	REM	BN	CHG'D PICT PER ECO 980305.
②	01/09/98		MAG	BN ADDED TABLE 1 AND NOTE 2 TOPICT PER ECO 980009
①	12-2-97	RLB	BN	37-804-81 WAS -80 CHANGE PER EC 0970772.

SIGNATURES:		DATE:	11880 BORMAN DR. ST. LOUIS, MISSOURI 63146		
DRAWN:	RLB	10-3-97	PROJECT NAME: 07B811-XX		
CHK'D:	BCN	10/08/97			
APP'D:	BCN	10/08/97	DRAWING NAME: SCHEMATIC		
ORIGINAL ISSUED:					
PLOT DATE:		03/03/99	DRAWING NO.	07S811-XX	REV 5_
PLOT TIME:		09:34:36	SCALE:	1:1	SHEET: 1 OF 1
FILE NAME:		81101H5_	© COPYRIGHT SLM ELECTRONICS		



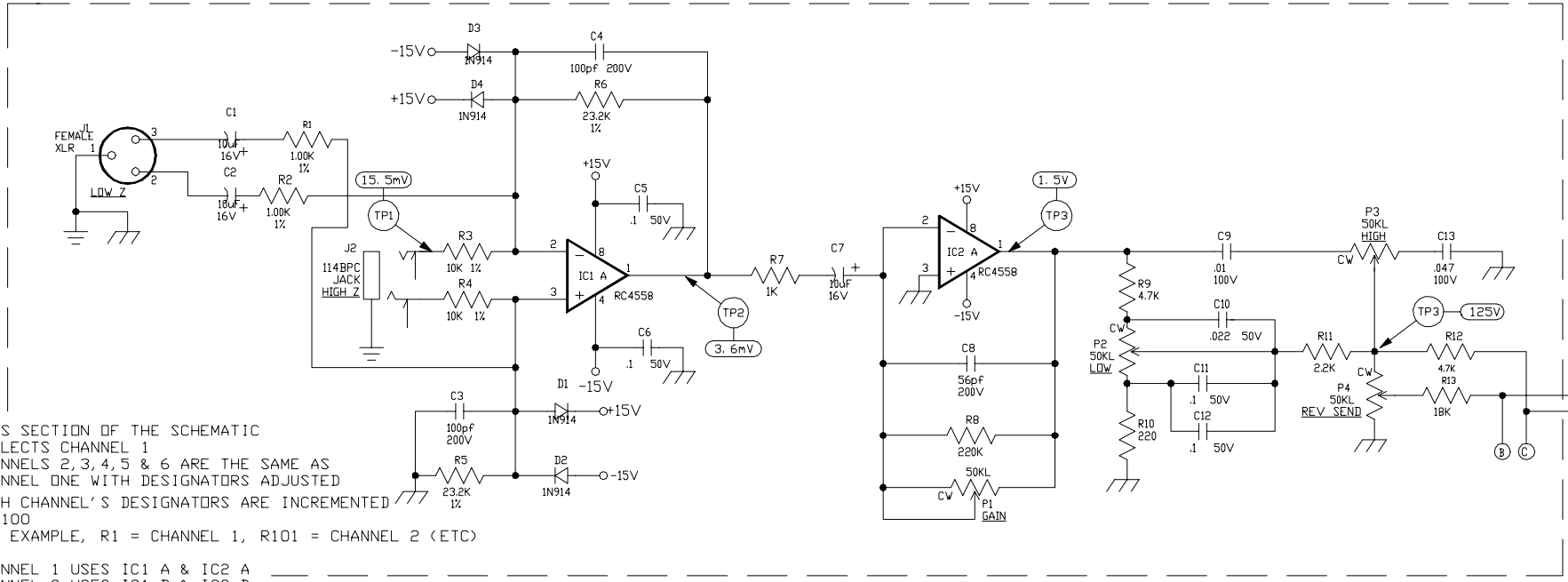
DESIGNATOR	PART #	DESCRIPTION
J1	39-312-01	RE-AN X702-03 FEM XLR
J2	39-114-02	114BPC 1/4" JACK
J3	17-310-05	MPSS156-5-D HEADER
J4	39-012-01	112APC 1/4" JACK
J5	39-012-01	112APC 1/4" JACK
J6	39-012-01	112APC 1/4" JACK
J7	39-012-01	112APC 1/4" JACK
J8	17-894-01	.187" PCTAB
J9	17-836-01	.250" PCTAB
J10	17-894-01	.187" PCTAB
J11	17-894-01	.187" PCTAB
J12	17-310-05	MPSS156-5-D HEADER
J101	39-312-01	RE-AN X702-03 FEM XLR
J102	39-114-02	114BPC 1/4" JACK
J201	39-312-01	RE-AN X702-03 FEM XLR
J202	39-114-02	114BPC 1/4" JACK
J301	39-312-01	RE-AN X702-03 FEM XLR
J302	39-114-02	114BPC 1/4" JACK
J401	39-312-01	RE-AN X702-03 FEM XLR
J402	39-114-02	114BPC 1/4" JACK
J501	39-312-01	RE-AN X702-03 FEM XLR
J502	39-114-02	114BPC 1/4" JACK

ASSY # 07-649-01

- NOTES**
- 1) CAUTION: SHOCK HAZARD!! THIS UNIT CONTAINS HAZARDOUS VOLTAGE. DISCONNECT POWER AND BE SURE POWER SUPPLY IS DISCHARGED BEFORE TOUCHING INTERNAL PARTS.
 - 2) UNLESS NOTED, RESISTOR VALUES IN OHMS, 1/4W-5% TOL. CAPACITOR VALUES IN MICROFARADS, 50V-10% TOL.
 - 3) VOLTAGES ARE MEASURED WITH 1 MEGOHM OSCILLOSCOPE AND 10 MEGOHM DIGITAL VOLTMETER.
 - 4) CIRCUIT GROUND --- LED GROUND --- CHASSIS GROUND ---
 - 5) TEST POINT CONDITIONS:
 1KHz SINE WAVE WITH CHANNEL GAIN, AND REVERB @ "10"
 MASTER LEVEL, REVERB RETURN, EFFECTS RETURN @ "10"
 ALL OTHER CONTROLS @ "5"
 REVERB SEND HAS A 150ohm RESISTOR ACROSS R18

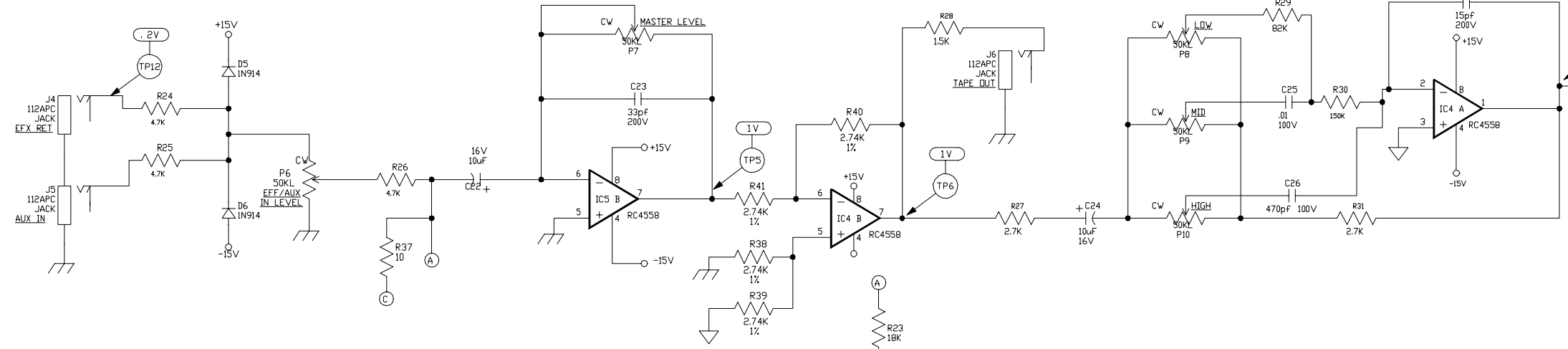
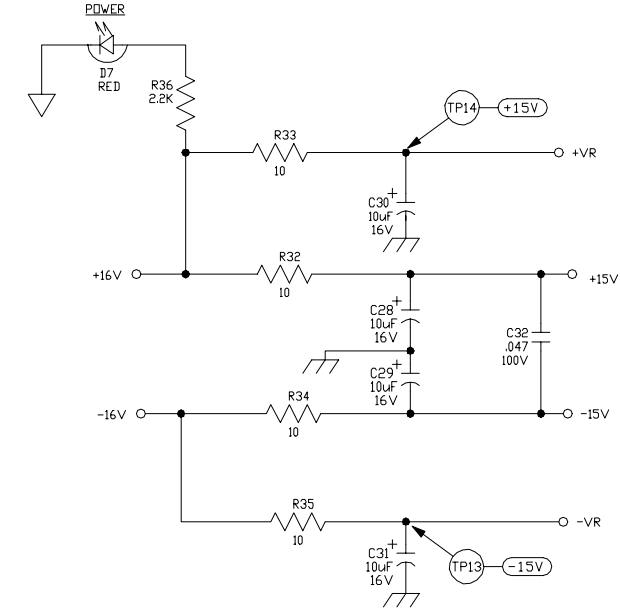
CAUTION:
 THIS SCHEMATIC IS PROVIDED FOR USE BY QUALIFIED PERSONNEL. TO AVOID RISK OF ELECTRIC SHOCK, REFER SERVICING TO QUALIFIED SERVICE PERSONNEL. DO NOT PERFORM ANY SERVICING BEYOND THAT EXPLAINED IN THE OPERATING INSTRUCTIONS.

3				
1	2-25-99	RLB		ADDED -02 (PAGE 2)
0				ORIGINAL ISSUE
REV	DATE	BY	CHK'D	DESCRIPTION
SIGNATURES:		DATE:		11880 BORNHAN DR. ST. LOUIS, MISSOURI 63148
DRAWN: MGA		02/01/99		
CHK'D: DJR		02/01/99		PROJECT NAME:
APP'D: DJR		02/26/92		PA-6/8 BOX MIXER
ORIGINAL ISSUED:		02/01/99		DRAWING NAME:
PLOT DATE:		02/26/99		CHANNEL/MASTER BRD
PLOT TIME:		12:57:18		DRAWING NO. 07S649-XX
FILE NAME:		64999h0_		SCALE: NONE SHEET: 1 OF 2



THIS SECTION OF THE SCHEMATIC REFLECTS CHANNEL 1 CHANNELS 2,3,4,5 & 6 ARE THE SAME AS CHANNEL ONE WITH DESIGNATORS ADJUSTED EACH CHANNEL'S DESIGNATORS ARE INCREMENTED BY 100 FOR EXAMPLE, R1 = CHANNEL 1, R101 = CHANNEL 2 (ETC)

CHANNEL 1 USES IC1 A & IC2 A
 CHANNEL 2 USES IC1 B & IC2 B
 CHANNEL 3 USES IC201 A & IC202 A
 CHANNEL 4 USES IC201 B & IC202 B
 CHANNEL 5 USES IC401 A & IC402 A
 CHANNEL 6 USES IC401 B & IC402 B




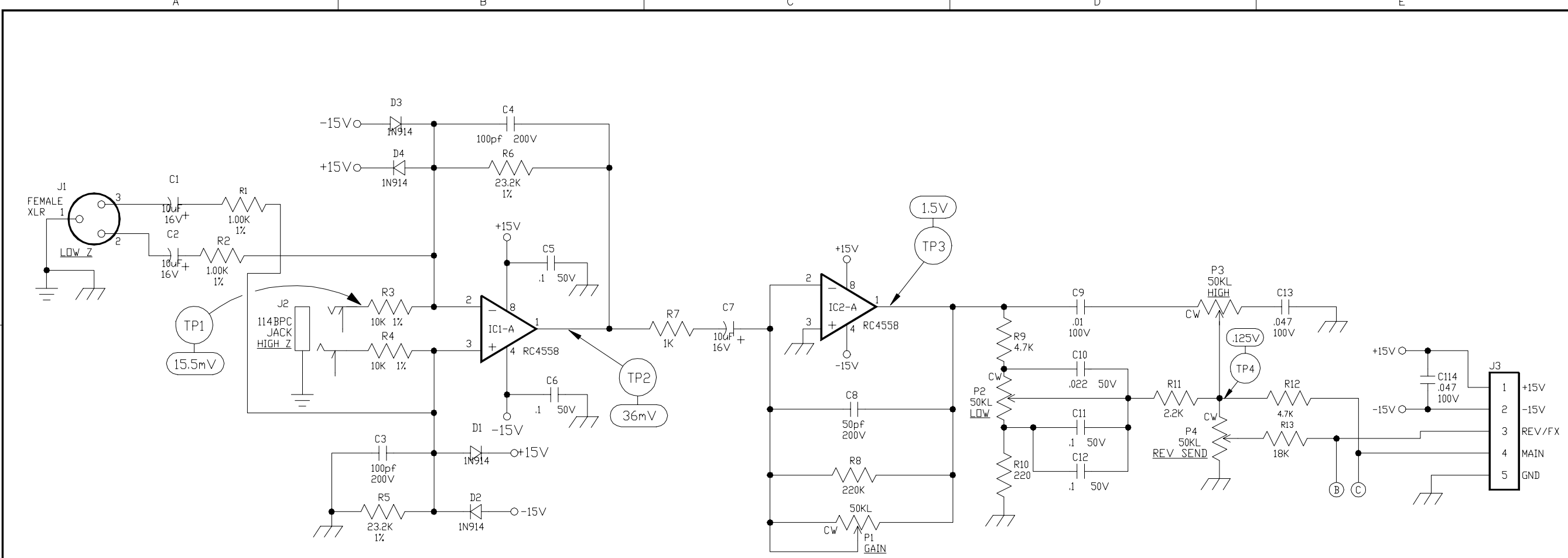
DESIGNATOR	PART #	DESCRIPTION
J1	39-312-01	RE-AN X702-03 FEM XLR
J2	39-114-02	114BPC 1/4" JACK
J3	17-310-05	MPSS156-5-D HEADER
J4	39-012-01	112APC 1/4" JACK
J5	39-012-01	112APC 1/4" JACK
J6	39-012-01	112APC 1/4" JACK
J7	39-012-01	112APC 1/4" JACK
J12	17-310-05	MPSS156-5-D HEADER
J101	39-312-01	RE-AN X702-03 FEM XLR
J102	39-114-02	114BPC 1/4" JACK
J201	39-312-01	RE-AN X702-03 FEM XLR
J202	39-114-02	114BPC 1/4" JACK
J301	39-312-01	RE-AN X702-03 FEM XLR
J302	39-114-02	114BPC 1/4" JACK
J401	39-312-01	RE-AN X702-03 FEM XLR
J402	39-114-02	114BPC 1/4" JACK
J501	39-312-01	RE-AN X702-03 FEM XLR
J502	39-114-02	114BPC 1/4" JACK

- NOTES**
- 1) CAUTION: SHOCK HAZARD!! THIS UNIT CONTAINS HAZARDOUS VOLTAGE. DISCONNECT POWER AND BE SURE POWER SUPPLY IS DISCHARGED BEFORE TOUCHING INTERNAL PARTS.
 - 2) UNLESS NOTED, RESISTOR VALUES IN OHMS, 1/4W-5% TOL. CAPACITOR VALUES IN MICROFARADS, 50V-10% TOL.
 - 3) VOLTAGES ARE MEASURED WITH 1 MEGOHM OSCILLOSCOPE AND 10 MEGOHM DIGITAL VOLTMETER.
 - 4) CIRCUIT GROUND ∇ LED GROUND ∇ CHASSIS GROUND ∇
 - 5) TEST POINT CONDITIONS:
 1KHZ SINE WAVE WITH CHANNEL GAIN, AND REVERB @ "10"
 MASTER LEVEL, REVER RETURN, EFFECTS RETURN @ "10"
 ALL OTHER CONTROLS @ "5"

ASSY # 07-649-02

CAUTION:
 THIS SCHEMATIC IS PROVIDED FOR USE BY QUALIFIED PERSONNEL. TO AVOID RISK OF ELECTRIC SHOCK, REFER SERVICING TO QUALIFIED SERVICE PERSONNEL. DO NOT PERFORM ANY SERVICING BEYOND THAT EXPLAINED IN THE OPERATING INSTRUCTIONS.

SIGNATURES:	DATE:		11880 BORMAN DR. ST. LOUIS, MISSOURI 63148
DRAWN: MGA	02/01/99		
CHK'D: DJR	02/01/99	PROJECT NAME: PA-6/8 BOX MIXER	
APP'D: DJR	02/01/99	DRAWING NAME: CHANNEL/MASTER BRD	
ORIGINAL ISSUED:	02/01/99	PLOT DATE: 02/26/99	
PLOT TIME:	12:57:18	DRAWING NO. 07S649-XX	
FILE NAME:	64999h0_	SCALE: NONE	SHEET: 2 OF 2



CHANNEL 2 DESIGNATORS ARE THE SAME AS CHANNEL 1 EXCEPT DESIGNATORS ARE INCREMENTED BY ONE HUNDRED

CHANNEL 1 = R1
CHANNEL 2 = R101

CHANNEL ONE USES IC1-A AND IC2-A
CHANNEL TWO USES IC1-B AND IC2-B

NOTES

- 1) CAUTION: SHOCK HAZARD!!
THIS UNIT CONTAINS HAZARDOUS VOLTAGE. DISCONNECT POWER AND BE SURE POWER SUPPLY IS DISCHARGED BEFORE TOUCHING INTERNAL PARTS.
- 2) UNLESS NOTED, RESISTOR VALUES IN OHMS, 1/4W-5% TOL.
CAPACITOR VALUES IN MICROFARADS, 50V-10% TOL.
- 3) VOLTAGES ARE MEASURED WITH 1 MEGOHM OSCILLOSCOPE AND 10 MEGOHM DIGITAL VOLTMETER.
- 4) CIRCUIT GROUND $\text{---}\text{||}\text{---}$ CHASSIS GROUND $\text{---}\text{||}\text{---}$
- 5) TEST CONDITIONS: 1KHz SINE WAVE WITH GAIN AND REVERB SEND @ "10"
HI AND LOW @ "5" ALL TEST POINTS MEASURED IN RMS

DESIGNATOR	PART #	DESCRIPTION
J1	39-312-01	RE-AN X702-03 FEM XLR
J2	39-114-02	114BPC 1/4" JACK
J3	17-310-05	MPSS156-5-D HEADER
J101	39-312-01	RE-AN X702-03 FEM XLR
J102	39-114-02	114BPC 1/4" JACK

CAUTION:
THIS SCHEMATIC IS PROVIDED FOR USE BY QUALIFIED PERSONNEL. TO AVOID RISK OF ELECTRIC SHOCK, REFER SERVICING TO QUALIFIED SERVICE PERSONNEL. DO NOT PERFORM ANY SERVICING BEYOND THAT EXPLAINED IN THE OPERATING INSTRUCTIONS.

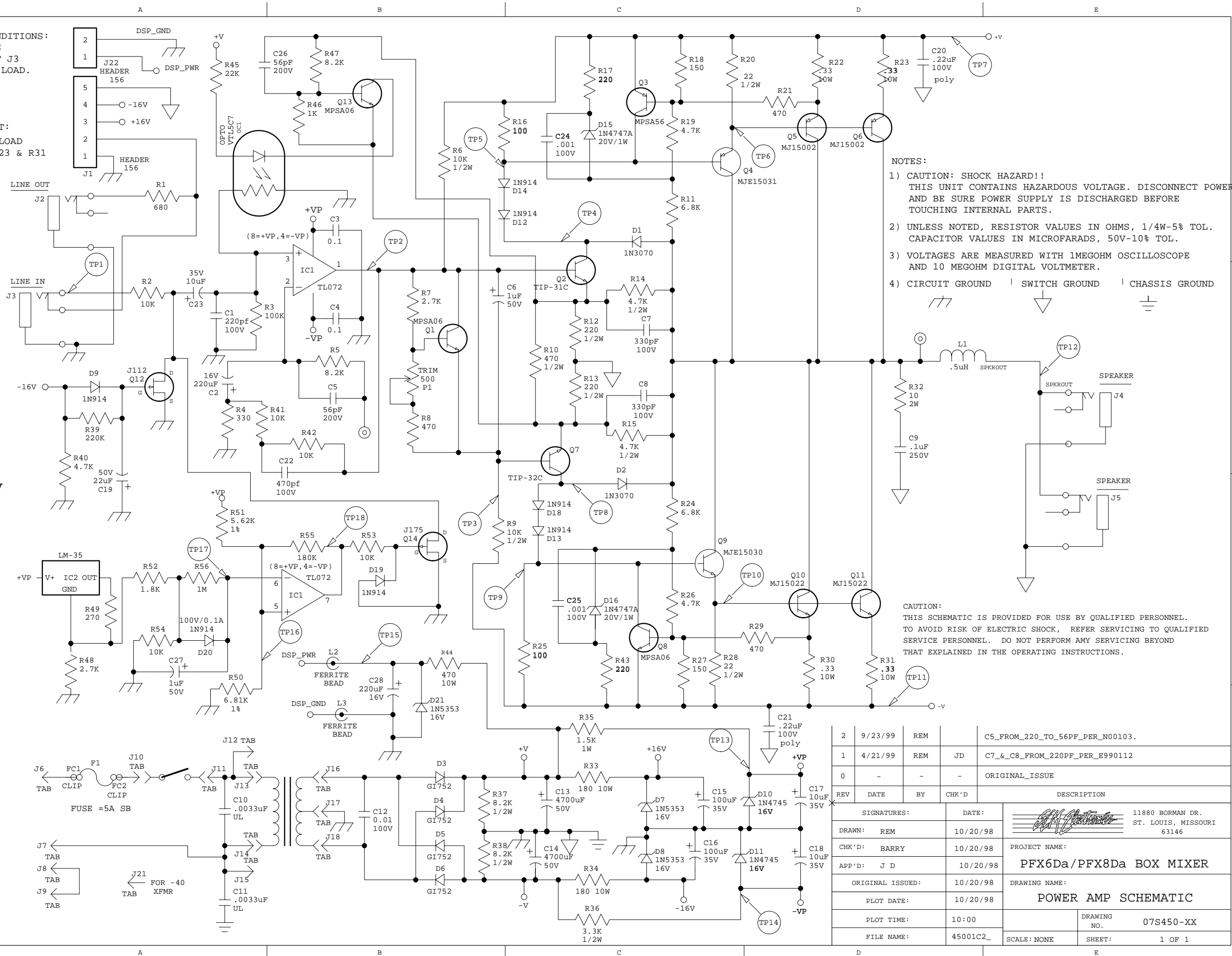
SIGNATURES:		DATE:		11880 BORMAN DR. ST. LOUIS, MISSOURI 63146	
DRAWN:	MGA	02/06/92	PROJECT NAME:		
CHK'D:	DKS	02/06/92	PA-6/8 BOX MIXER		
APP'D:	DKS	02/06/92	DRAWING NAME:		
ORIGINAL ISSUED:	02/06/92	CHANNEL BOARD			
PLOT DATE:	02/06/92	DRAWING NO.		07S650-01	
PLOT TIME:	08:22:19	SCALE:		1:1	
FILE NAME:	S65001	SHEET:		1 OF 1	

TEST POINT	WAVE FORM	VOLTAGE Vrms	VOLTAGE VDC
1		1	—
2		2.79	1.13
3		2.90	-1.59
4		1.32	37.5
5		.87	38.5
6		.73	38.9
7		.55	39.8
8		1.16	-37.2
9		.95	-38.5
10		.58	-39.2
11		.52	-39.4
12		22.5	—
13		—	16.2
14		—	-16
15		—	16
16		—	8.98
17		—	3 *
18		—	15.6

TEST POINT CONDITIONS:
1 KHZ SINWAVE
1Vrms INPUT AT J3
WITH AN 8 OHM LOAD.

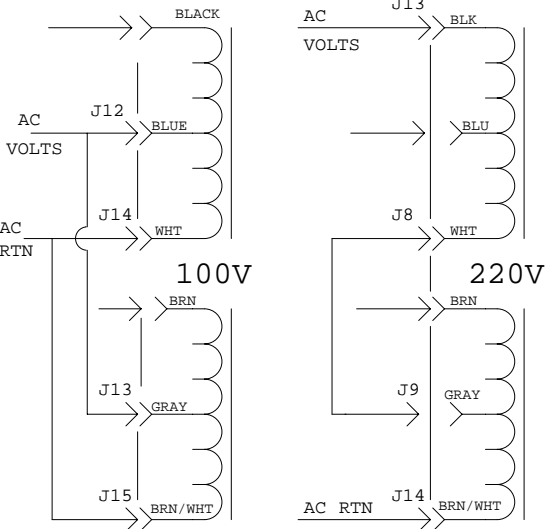
BIAS ADJUSTMENT:
NO SIGNAL, NO LOAD
2mVDC ACROSS R23 & R31

* varies with temperature



- NOTES:
- 1) CAUTION: SHOCK HAZARD!! THIS UNIT CONTAINS HAZARDOUS VOLTAGE. DISCONNECT POWER AND BE SURE POWER SUPPLY IS DISCHARGED BEFORE TOUCHING INTERNAL PARTS.
 - 2) UNLESS NOTED, RESISTOR VALUES IN OHMS, 1/4W-5% TOL. CAPACITOR VALUES IN MICROFARADS, 50V-10% TOL.
 - 3) VOLTAGES ARE MEASURED WITH 1MEGOHM OSCILLOSCOPE AND 10 MEGOHM DIGITAL VOLTMETER.
 - 4) CIRCUIT GROUND | SWITCH GROUND | CHASSIS GROUND

CAUTION:
THIS SCHEMATIC IS PROVIDED FOR USE BY QUALIFIED PERSONNEL.
TO AVOID RISK OF ELECTRIC SHOCK, REFER SERVICING TO QUALIFIED SERVICE PERSONNEL. DO NOT PERFORM ANY SERVICING BEYOND THAT EXPLAINED IN THE OPERATING INSTRUCTIONS.



EXPORT WIRING
FUSE = 5A SB

EXPORT WIRING
FUSE = 2.5A SB

EXPORT WIRING
FUSE = 2.5A SB

REV	DATE	BY	CHK'D	DESCRIPTION
2	9/23/99	REM		C5_FROM_220_TO_56PF_PER_N00103.
1	4/21/99	REM	JD	C7_&_C8_FROM_220PF_PER_E990112
0	-	-	-	ORIGINAL_ISSUE

SIGNATURES:		DATE:		DESCRIPTION	
DRAWN:	REM	DATE:	10/20/98	11880 BORMAN DR. ST. LOUIS, MISSOURI 63146	
CHK'D:	BARRY	DATE:	10/20/98	PROJECT NAME: PFX6Da/PFX8Da BOX MIXER	
APP'D:	J D	DATE:	10/20/98	DRAWING NAME: POWER AMP SCHEMATIC	
ORIGINAL ISSUED:		DATE:	10/20/98	DRAWING NO.: 07S450-XX	
PLOT DATE:		DATE:	10/20/98	SCALE: NONE	
PLOT TIME:	10:00	DATE:		SHEET: 1 OF 1	
FILE NAME:	45001C2_	DATE:			