

CONDITIONS: INPUT IS A 1KHZ SINE WAVE. BIAS IS 1.5mV ACROSS R127 & R138 & IS SET WITH NO LOAD, NO INPUT & SET WITHIN 15sec. FROM COLD START

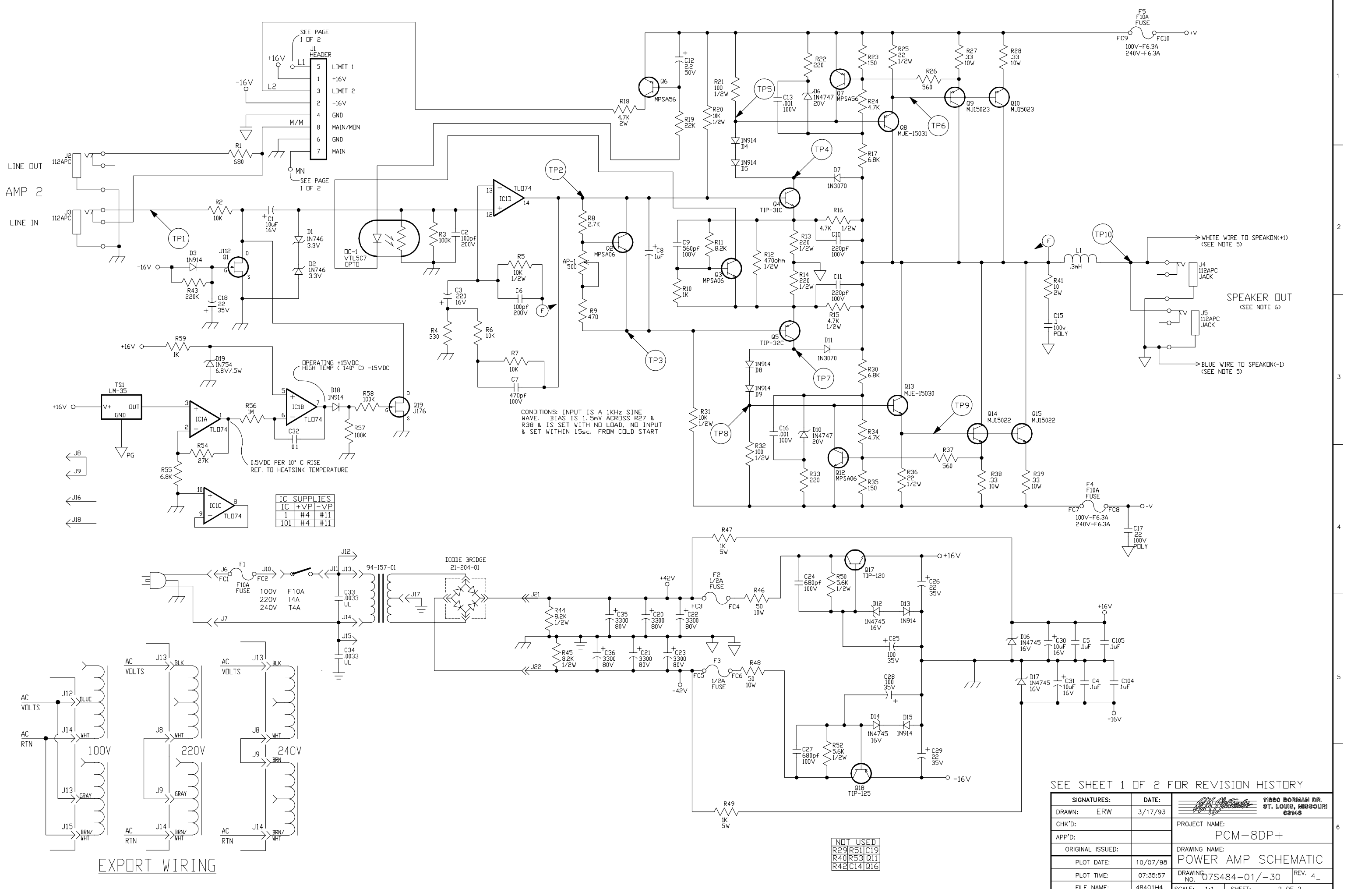
TP	WAVEFORM	AC RMS	DC
1		1V	—
2		3.8V	1.7V
3		3.8V	-1.9V
4		1.75V	37.3V
5		1.6V	37.7V
6		1.4V	38.3V
7		1.8V	-36.8V
8		1.65V	-37.1V
9		1.5V	-38V
10		23.2V	0V
11		1V	—
12		3.8V	1.7V
13		3.8V	-1.9V
14		1.75V	37.3V
15		1.6V	37.7V
16		1.4V	38.3V
17		1.8V	-36.8V
18		1.65V	-37.1V
19		1.5V	-38V
20		23.2V	0V

NOT USED	
R129	R144-R153
R140	C119-C131
Q111	C133-C136
	D112-D117
	Q116-Q118

- NOTES
- CAUTION: SHOCK HAZARD!! THIS UNIT CONTAINS HAZARDOUS VOLTAGE. DISCONNECT POWER AND BE SURE POWER SUPPLY IS DISCHARGED BEFORE TOUCHING INTERNAL PARTS.
 - UNLESS NOTED, RESISTOR VALUES IN OHMS, 1/4W-5% TOL. CAPACITOR VALUES IN MICROFARADS, 50V-10% TOL.
 - VOLTAGES ARE MEASURED WITH 1 MEGOHM OSCILLOSCOPE AND 10 MEGOHM DIGITAL VOLTMETER.
 - CIRCUIT GROUND ⏏ SWITCH GROUND ⏏ CHASSIS GROUND ⏏ LED GROUND ⏏
 - USED ON "W" VERSIONS ONLY.
 - J5 AND J105 NOT USED ON "W" VERSIONS.

REV	DATE	BY	CHK'D	DESCRIPTION
5				
4	7-6-98	RLB		UPDATE TO AGREE WITH PICTORIAL PER ECO 970710
3	06/11/97	SWR		SHOWED "W" VERSION SPEAKON CONNECTIONS & ADDED NOTES 5 & 6 PER ECO #970232.
2	02/17/97	MAG		CHG'D FUSE CLIPS AND FUSES PER ECO 970066.
1	08/08/94	LMA		CHG NAME FROM PCM-8D TO PCM-8DP+ DOC CHG ONLY-(NO REV CHG)
1	06/18/94	LMA		REV CHG TO REFLECT JUMPER CHG PER E150

SIGNATURES:		DATE:		11860 BORMAN DR. ST. LOUIS, MISSOURI 63148
DRAWN:	ERW	3/17/93		
CHK'D:			PROJECT NAME: PCM-8DP+	
APP'D:			DRAWING NAME: POWER AMP SCHEMATIC	
ORIGINAL ISSUED:			DRAWING NO. 07S484-01/-30 REV. 4	
PLOT DATE:	10/07/98		SCALE: 1:1 SHEET: 1 OF 2	
PLOT TIME:	07:35:57			
FILE NAME:	48401H4			



LINE OUT
AMP 2
LINE IN

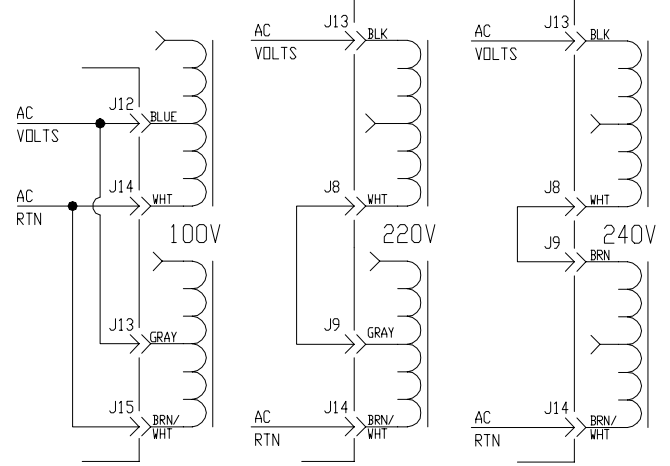
SPEAKER OUT
(SEE NOTE 6)

CONDITIONS: INPUT IS A 1KHz SINE WAVE. BIAS IS 1.5mV ACROSS R27 & R38 & IS SET WITH NO LOAD, NO INPUT & SET WITHIN 15sec. FROM COLD START

IC SUPPLIES		
IC	+VP	-VP
1	#4	#11
101	#4	#11

OPERATING +15VDC HIGH TEMP (140° C) -15VDC
0.5VDC PER 10° C RISE REF. TO HEATSINK TEMPERATURE

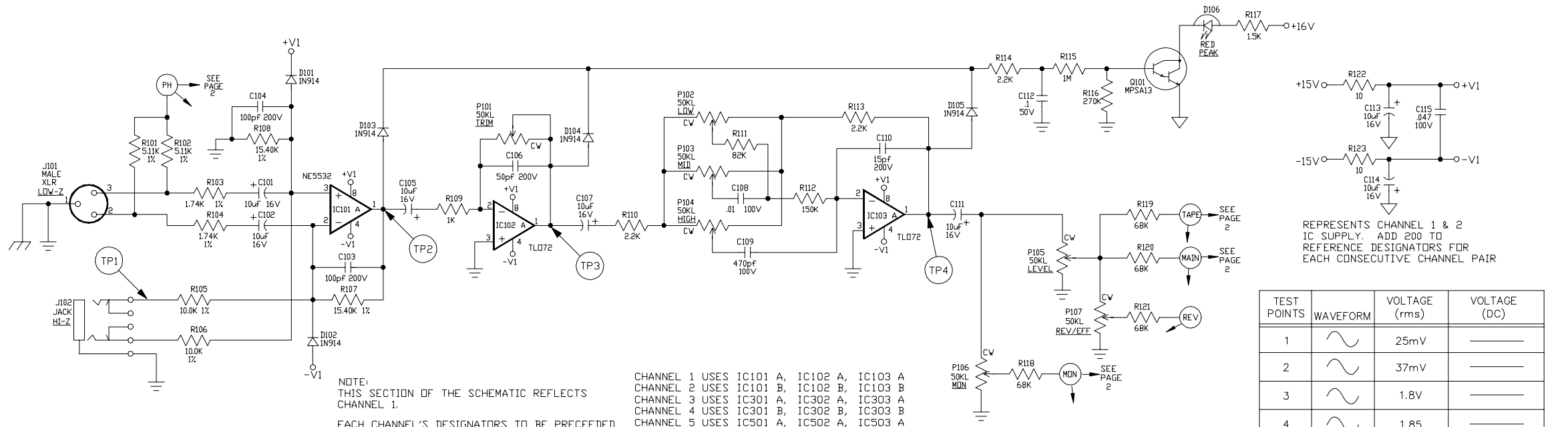
EXPORT WIRING



SEE SHEET 1 OF 2 FOR REVISION HISTORY

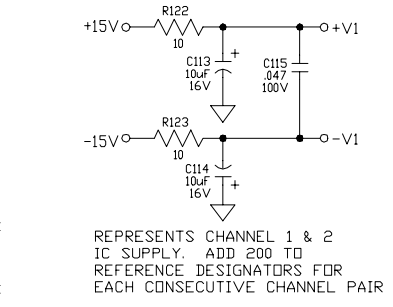
SIGNATURES:		DATE:	11860 BORMAN DR. ST. LOUIS, MISSOURI 63148
DRAWN:	ERW	3/17/93	
CHK'D:			PROJECT NAME:
APP'D:			PCM-8DP+
ORIGINAL ISSUED:			DRAWING NAME:
PLOT DATE:	10/07/98		POWER AMP SCHEMATIC
PLOT TIME:	07:35:57		DRAWING NO. 07S484-01/-30
FILE NAME:	48401H4_		REV. 4_
SCALE: 1:1		SHEET: 2 OF 2	

NOT USED
R29 R51 C19
R40 R53 Q11
R42 C14 Q16



NOTE:
THIS SECTION OF THE SCHEMATIC REFLECTS CHANNEL 1.
EACH CHANNEL'S DESIGNATORS TO BE PRECEDED WITH THE NUMBER OF THE CHANNEL.
FOR EXAMPLE R101 FOR CHANNEL 1
R201 FOR CHANNEL 2

CHANNEL 1 USES IC101 A, IC102 A, IC103 A
CHANNEL 2 USES IC101 B, IC102 B, IC103 B
CHANNEL 3 USES IC301 A, IC302 A, IC303 A
CHANNEL 4 USES IC301 B, IC302 B, IC303 B
CHANNEL 5 USES IC501 A, IC502 A, IC503 A
CHANNEL 6 USES IC501 B, IC502 B, IC503 B



TEST POINTS	WAVEFORM	VOLTAGE (rms)	VOLTAGE (DC)
1		25mV	---
2		37mV	---
3		1.8V	---
4		1.85	---

CONDITIONS:
CHANNELS: LOW, MID, HIGH @ "5". EVERYTHING ELSE @ "10"
MASTER: MAIN & MONITOR E.Q. SET FLAT. REV/EFF BALANCE
SINE WAVE INPUT @ 1KHz.

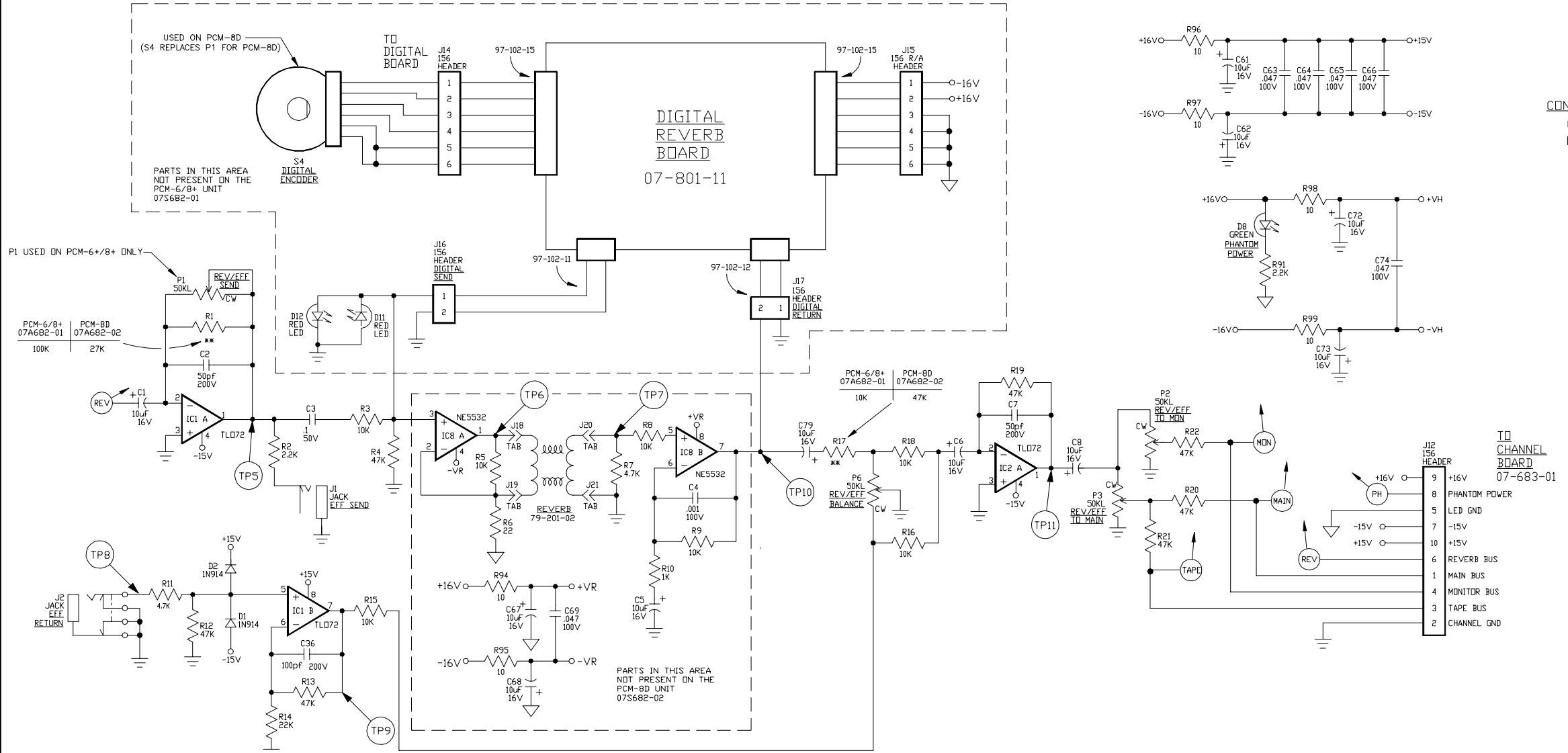
TEST POINTS	WAVEFORM	VOLTAGE (rms)	VOLTAGE (DC)
5		.9V	---
6		5.64V	---
7		25mV	---
8		25mV	---
9		75mV	---
10		.27V	---
* 11		.7V	---
12		25mV	---
13		60mV	---
14		1.41V	---
15		1.33V	---
16		1.33V	---
17		1.3V	---
18		1.37V	---
19		1.37V	---
20		1.31V	---
21		4.5V	---
22		4.5V	---
23	---	---	+16V

CONDITIONS:
CHANNELS: LOW, MID, HIGH @ "5". EVERYTHING ELSE @ "10"
MASTER: MAIN & MONITOR E.Q. SET FLAT., REV/EFF BALANCE @ "5"
ALL OTHER CONTROLS @ "10".
SINE WAVE INPUT @ 1KHz.

*NOTE: SIGNAL APPLIED TO TEST POINTS 7 & 8 ONLY ON TEST POINT 11.

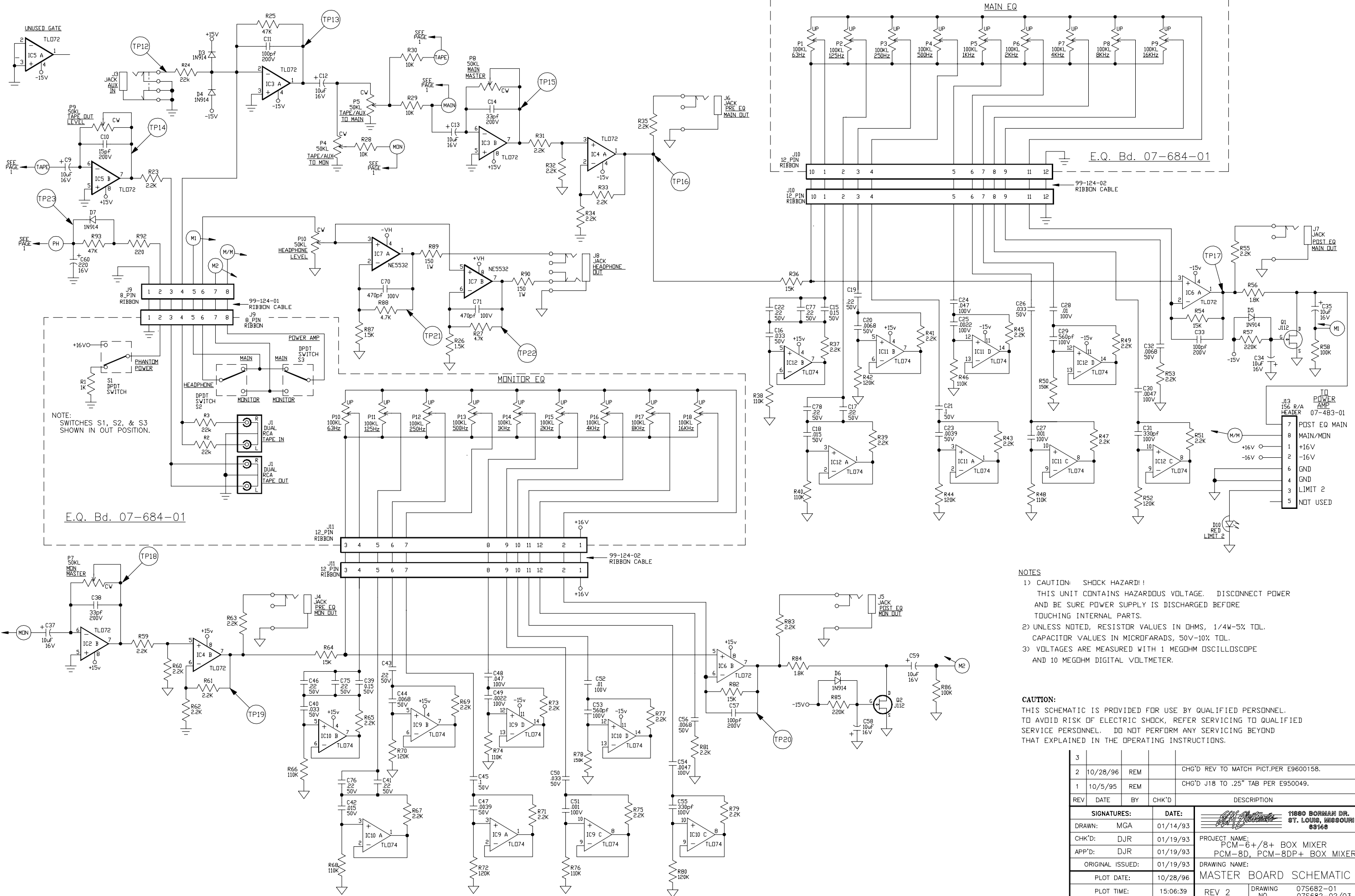
CAUTION:
THIS SCHEMATIC IS PROVIDED FOR USE BY QUALIFIED PERSONNEL. TO AVOID RISK OF ELECTRIC SHOCK, REFER SERVICING TO QUALIFIED SERVICE PERSONNEL. DO NOT PERFORM ANY SERVICING BEYOND THAT EXPLAINED IN THE OPERATING INSTRUCTIONS.

- NOTES
- CAUTION: SHOCK HAZARD! THIS UNIT CONTAINS HAZARDOUS VOLTAGE. DISCONNECT POWER AND BE SURE POWER SUPPLY IS DISCHARGED BEFORE TOUCHING INTERNAL PARTS.
 - UNLESS NOTED, RESISTOR VALUES IN OHMS, 1/4W-5% TOL. CAPACITOR VALUES IN MICROFARADS, 50V-10% TOL.
 - VOLTAGES ARE MEASURED WITH 1 MEGOHM OSCILLOSCOPE AND 10 MEGOHM DIGITAL VOLTMETER.



REV	DATE	BY	CHK'D	DESCRIPTION
3				
2	10/28/96	REM		CHG'D REV TO MATCH PICT.PER E9600158.
1	10/5/95	REM		CHG'D J18 TO .25" TAB PER E950049.

SIGNATURES:	DATE:		11880 BORNMAN DR. ST. LOUIS, MISSOURI 63146
DRAWN: MGA	01/14/93		
CHK'D: DJR	01/19/93	PROJECT NAME: PCM-6+/8+ BOX MIXER PCM-8D, PCM-8DP+ BOX MIXER	
APP'D: DJR	01/19/93	DRAWING NAME: MASTER BOARD SCHEMATIC	
PLOT DATE:	10/28/96		
PLOT TIME:	15:06:39	REV 2	DRAWING NO. 075682-01
FILE NAME:	68201h2_	SCALE: NONE	SHEET: 1 OF 2

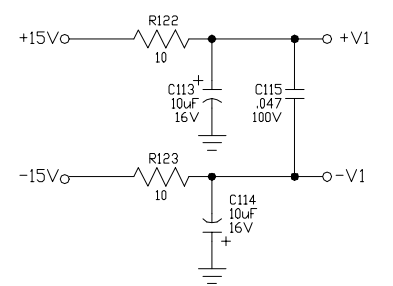
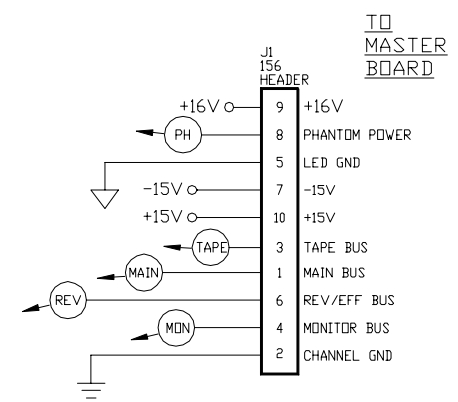
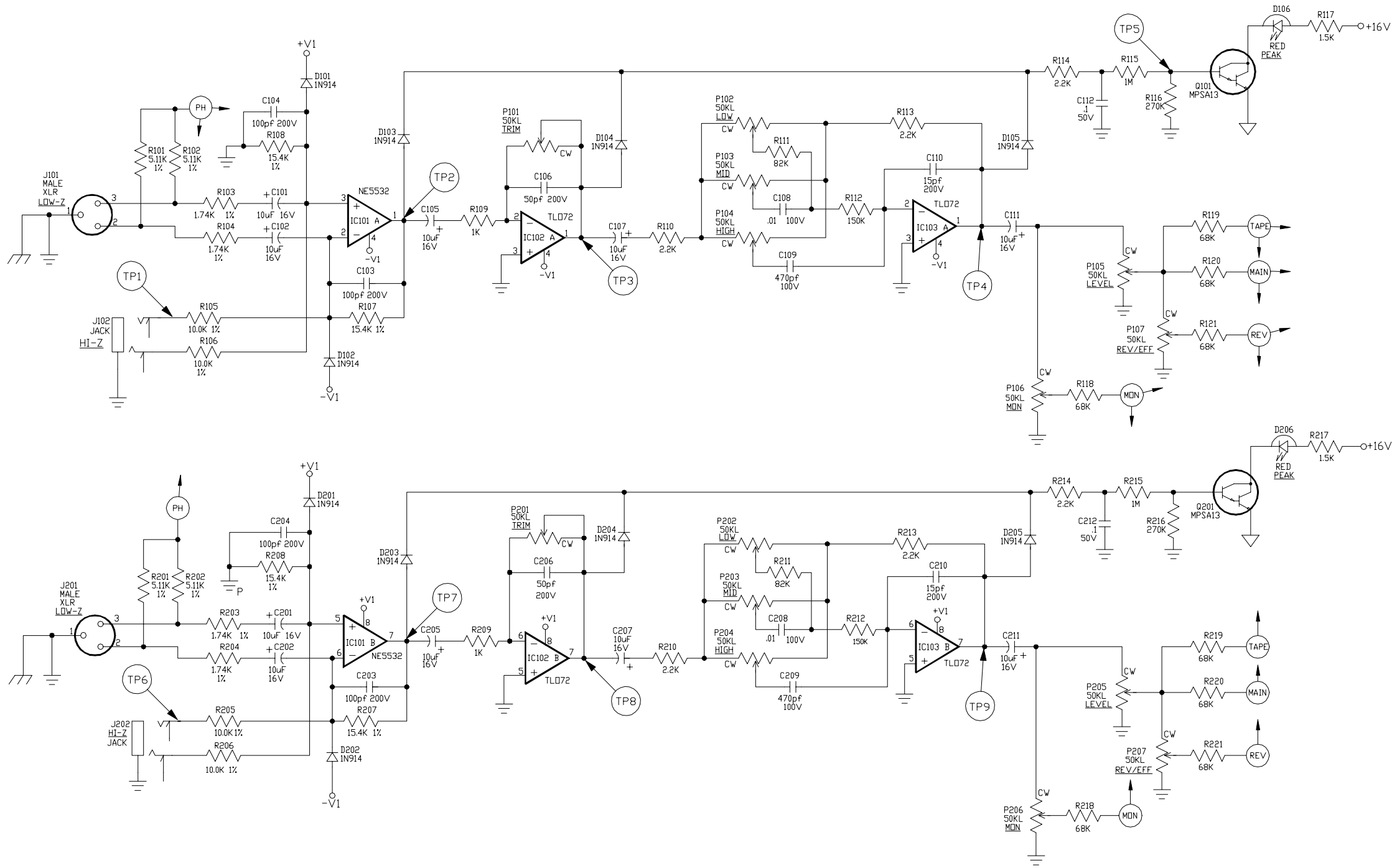


NOTES

- CAUTION: SHOCK HAZARD!! THIS UNIT CONTAINS HAZARDOUS VOLTAGE. DISCONNECT POWER AND BE SURE POWER SUPPLY IS DISCHARGED BEFORE TOUCHING INTERNAL PARTS.
- UNLESS NOTED, RESISTOR VALUES IN OHMS, 1/4W-5% TOL. CAPACITOR VALUES IN MICROFARADS, 50V-10% TOL.
- VOLTAGES ARE MEASURED WITH 1 MEGOHM OSCILLOSCOPE AND 10 MEGOHM DIGITAL VOLTMETER.

CAUTION:
THIS SCHEMATIC IS PROVIDED FOR USE BY QUALIFIED PERSONNEL. TO AVOID RISK OF ELECTRIC SHOCK, REFER SERVICING TO QUALIFIED SERVICE PERSONNEL. DO NOT PERFORM ANY SERVICING BEYOND THAT EXPLAINED IN THE OPERATING INSTRUCTIONS.

3				
2	10/28/96	REM		CHG'D REV TO MATCH PICT.PER E9600158.
1	10/5/95	REM		CHG'D J18 TO .25" TAB PER E950049.
REV	DATE	BY	CHK'D	DESCRIPTION
SIGNATURES:		DATE:	11880 BORNAN DR. ST. LOUIS, MISSOURI 63146	
DRAWN: MGA		01/14/93		
CHK'D: DJR		01/19/93	PROJECT NAME: PCM-6+/8+ BOX MIXER	
APP'D: DJR		01/19/93	PCM-8D, PCM-8DP+ BOX MIXER	
ORIGINAL ISSUED:		01/19/93	DRAWING NAME: MASTER BOARD SCHEMATIC	
PLOT DATE:		10/28/96		
PLOT TIME:		15:06:39	REV 2	
FILE NAME:		68201h2_	DRAWING NO. 075682-01	
			SCALE: NONE	
			SHEET: 2 OF 2	



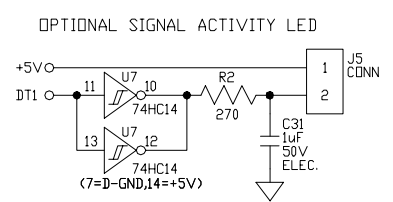
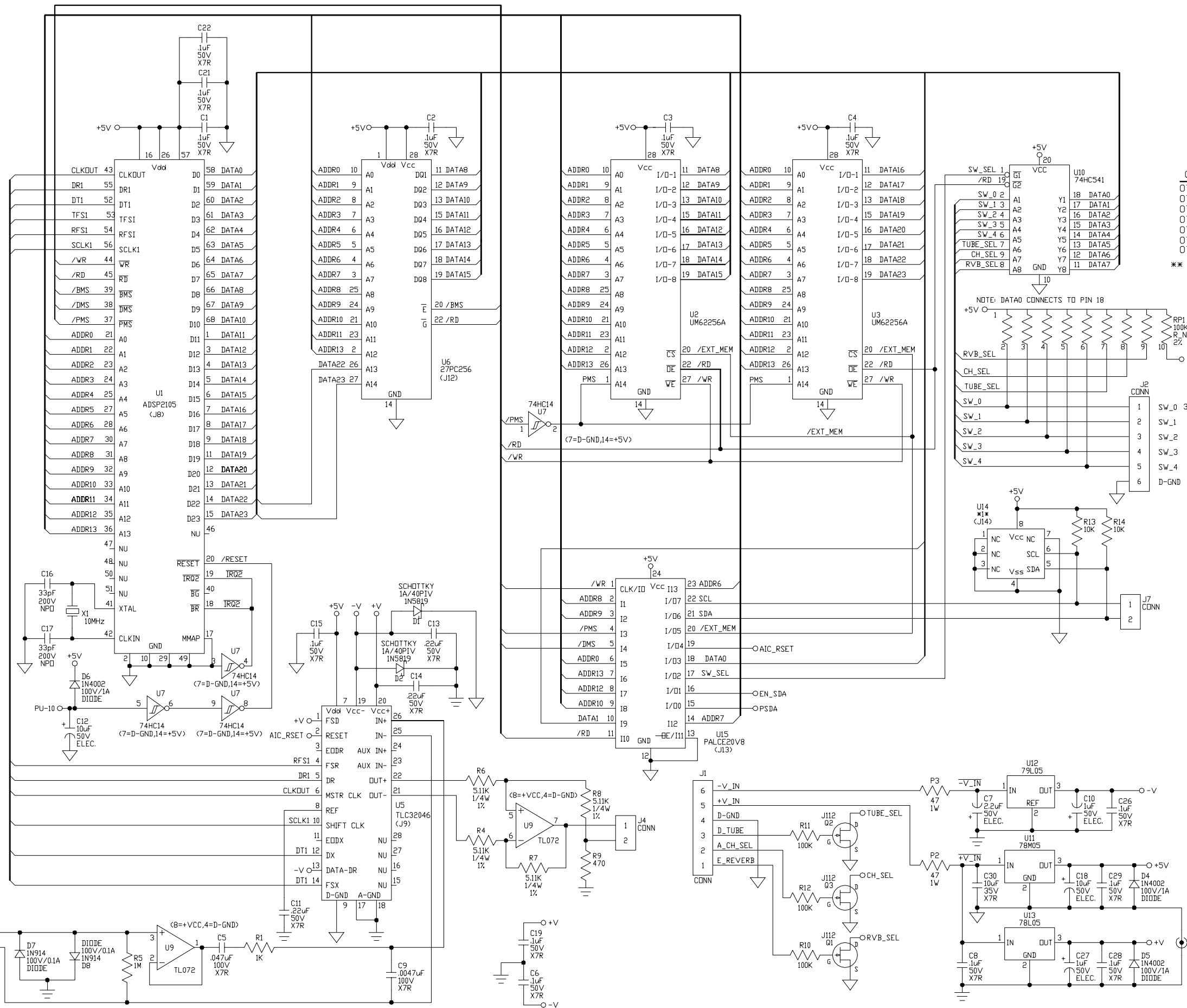
CONDITIONS:
 LOW, MID, HIGH @ "5"
 TRIM, LEVEL, MONITOR, REV/EFF @ "10"
 INPUT 1KHZ SINE WAVE 50mVrms

TEST POINTS	WAVEFORM	VOLTAGE (rms)	VOLTAGE (DC)
1		50mV	---
2		75mV	---
3		3.7V	---
4		3.8V	---
5	---	---	0.84V
6		50mV	---
7		75mV	---
8		3.7V	---
9		3.8V	---

- NOTES
- 1) CAUTION: SHOCK HAZARD!! THIS UNIT CONTAINS HAZARDOUS VOLTAGE. DISCONNECT POWER AND BE SURE POWER SUPPLY IS DISCHARGED BEFORE TOUCHING INTERNAL PARTS.
 - 2) UNLESS NOTED, RESISTOR VALUES IN OHMS, 1/4W-5% TOL. CAPACITOR VALUES IN MICROFARADS, 50V-10% TOL.
 - 3) VOLTAGES ARE MEASURED WITH 1 MEGOHM OSCILLOSCOPE AND 10 MEGOHM DIGITAL VOLTMETER.
 - 4) PREAMP GROUND \neq LED GROUND ∇

CAUTION:
 THIS SCHEMATIC IS PROVIDED FOR USE BY QUALIFIED PERSONNEL. TO AVOID RISK OF ELECTRIC SHOCK, REFER SERVICING TO QUALIFIED SERVICE PERSONNEL. DO NOT PERFORM ANY SERVICING BEYOND THAT EXPLAINED IN THE OPERATING INSTRUCTIONS.

3				
2				
1	10/28/96	REM		CHG'D REV TO MATCH PICT. PER E960158.
REV	DATE	BY	CHK'D	DESCRIPTION
SIGNATURES:		DATE:		 11860 BORMAN DR. ST. LOUIS, MISSOURI 63148
DRAWN: MGA		01/12/93		
CHK'D: RC		01/13/93		
APP'D: RC		01/13/93		
ORIGINAL ISSUED:		01/13/93		
PLOT DATE: 10/28/96				PROJECT NAME: PCM-8+ BOX MIXER
PLOT TIME: 15:33:02				DRAWING NAME: CHANNEL BRD SCHEMATIC
FILE NAME: 68301h1				REV 1
				DRAWING NO. 07S683-01
				SCALE: NONE SHEET: 1 OF 1



07 LEVEL	UNIT	*** EPROM #	*1* U14
07-801-01	GT-80DSP	38-80101(X)	37-884-01 (X24C01)
07-801-02	GT-200D	38-80102(X)	37-884-02 (X24C01A)
07-801-03	GT-200DH	38-80103(X)	37-884-02 (X24C01A)
07-801-04	GX-40D	38-80104(X)	37-884-01 (X24C01)
07-801-11	PCM-8D	38-80111(X)	NOT APPLICABLE
07-801-12	CA-125D	38-80112(X)	NOT APPLICABLE
07-801-16	PX-600DLX	38-80116(X)	NOT APPLICABLE

** NOTE - EPROM NUMBERS REPRESENT CURRENT REVISION LEVELS. HIGHER REVISION LEVELS WILL RETROFIT. (X) SUFFIX REPRESENT REVISION LEVEL.

DELETED PARTS	
07-801-11	PCM-8D
07-801-12	CA-125D
07-801-16	PX-600DLX

CAUTION:
THIS SCHEMATIC IS PROVIDED FOR USE BY QUALIFIED PERSONNEL. TO AVOID RISK OF ELECTRIC SHOCK, REFER SERVICING TO QUALIFIED SERVICE PERSONNEL. DO NOT PERFORM ANY SERVICING BEYOND THAT EXPLAINED IN THE OPERATING INSTRUCTIONS.

- NOTES**
- UNLESS NOTED, RESISTOR VALUES IN OHMS, 1/4W-5% TOL. CAPACITOR VALUES IN MICROFARADS, 50V-10% TOL.
 - VOLTAGES ARE MEASURED WITH 1 MEGOHM OSCILLOSCOPE AND 10 MEGOHM DIGITAL VOLTMETER.
 - ANALOG GND \perp DIGITAL GND \downarrow

REV	DATE	BY	CHK'D	DESCRIPTION
8	12-18-97	RLB		CHANGED CAPS FROM "12A" TO "12-" PER ECO E970806
7	04/18/97	MAG		ADDED 07-801-05 TO TABLE PER ECO 970187.
6	12/10/96	SWR		CHANGED P/N FOR "U1" PER ECO #960504.
5	05/19/95	ERW/JCJ		RE-DESIGN ECO#492 & 504,PX-600DLX 07 LEVEL EPROM,#ECO#591, DOC. UPDATE, ECO#E950072.
4	10/26/94	ERW		CHANGED VALUE OF C7 TO 2.2uF/50V PER ECO#375, REPLACED JW1 WITH L1 PER ECO#421
4	05/05/94	REM		CHANGED VALUE OF C7 PER E0187 & CHANGES PER E0188.
3	04/04/94	ERW		CHANGES VALUE OF C10 TO 10uF.
2	03/18/93	ERW		CHANGED PIN2, 26 & 27 (U6) CONNECTIONS ADDED U14 PART INFORMATION
1	01/22/93	MGA		ADD J6 AND NOTES FOR VERSIONS

SIGNATURES:		DATE:		11860 BORMAN DR. ST. LOUIS, MISSOURI 63148
DRAWN: MGA		04/22/92		
CHK'D: G.G.		05/27/92		PROJECT NAME:
APP'D: G.G.		05/27/92		DSP BOARD
ORIGINAL ISSUED: 04/30/92				DRAWING NAME:
PLOT DATE: 12/18/97				SCHEMATIC
PLOT TIME: 08:42:30				DRAWING NO. 07S801-XX
FILE NAME: 80101h8_				REV. 8
SCALE: 1:1		SHEET: 1 OF 1		