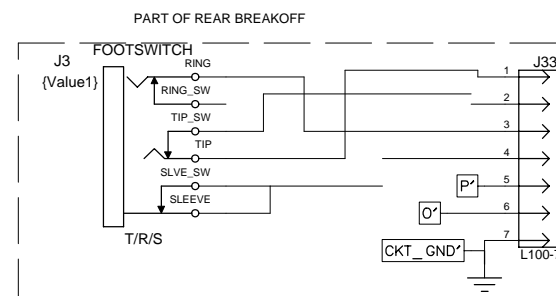
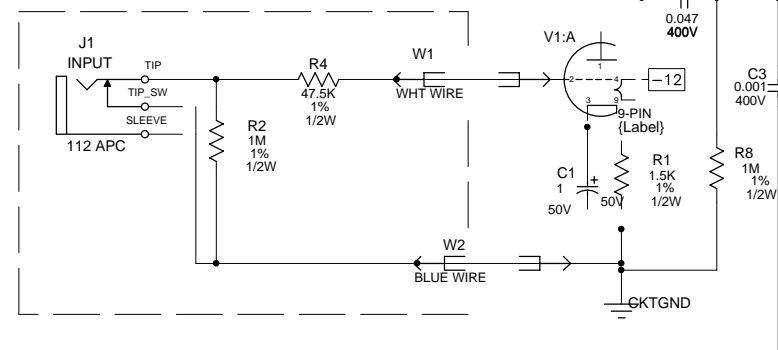


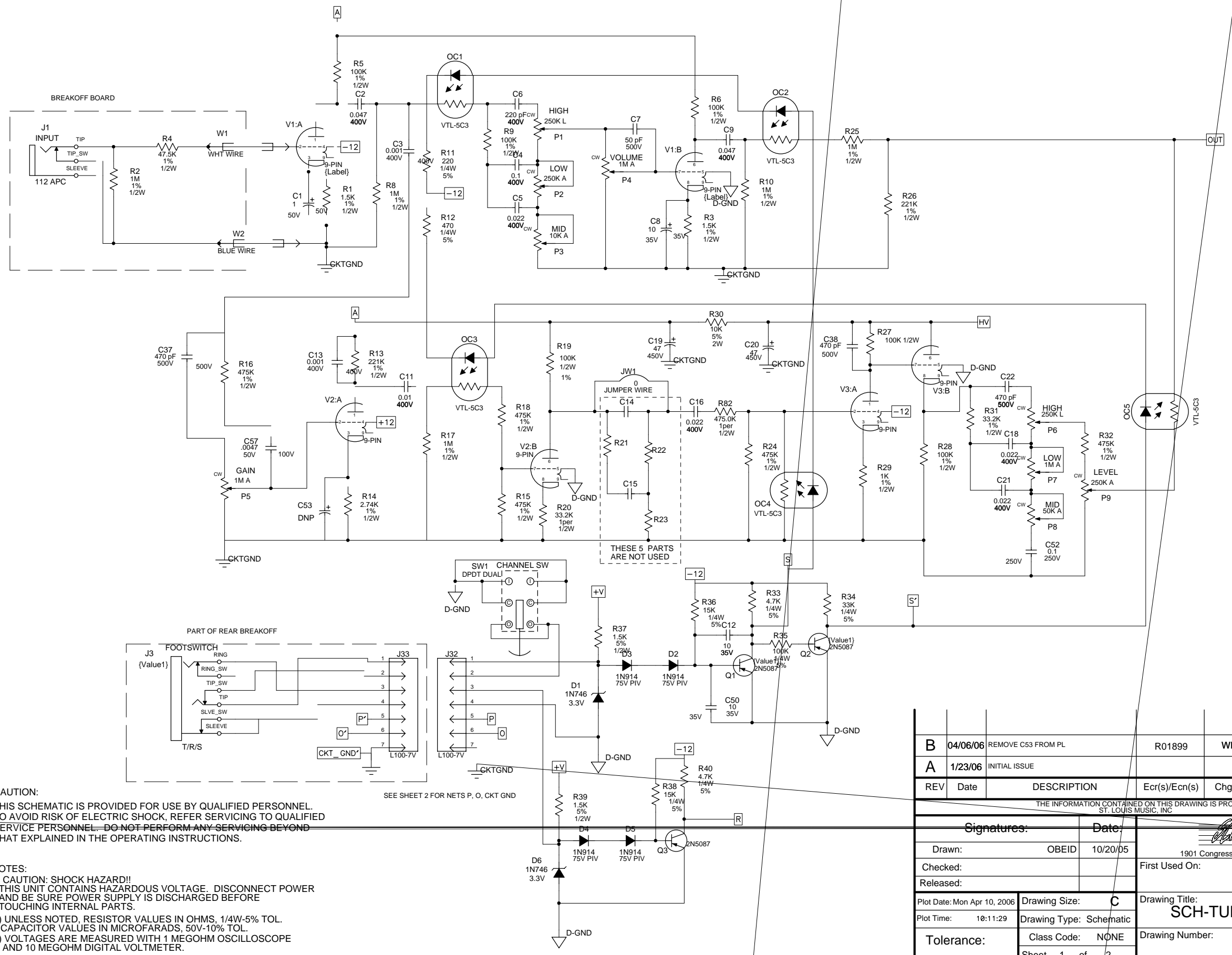
BREAKOFF BOARD



SEE SHEET 2 FOR NETS P, O, CKT GND

**CAUTION:**  
THIS SCHEMATIC IS PROVIDED FOR USE BY QUALIFIED PERSONNEL. TO AVOID RISK OF ELECTRIC SHOCK, REFER SERVICING TO QUALIFIED SERVICE PERSONNEL. DO NOT PERFORM ANY SERVICING BEYOND THAT EXPLAINED IN THE OPERATING INSTRUCTIONS.

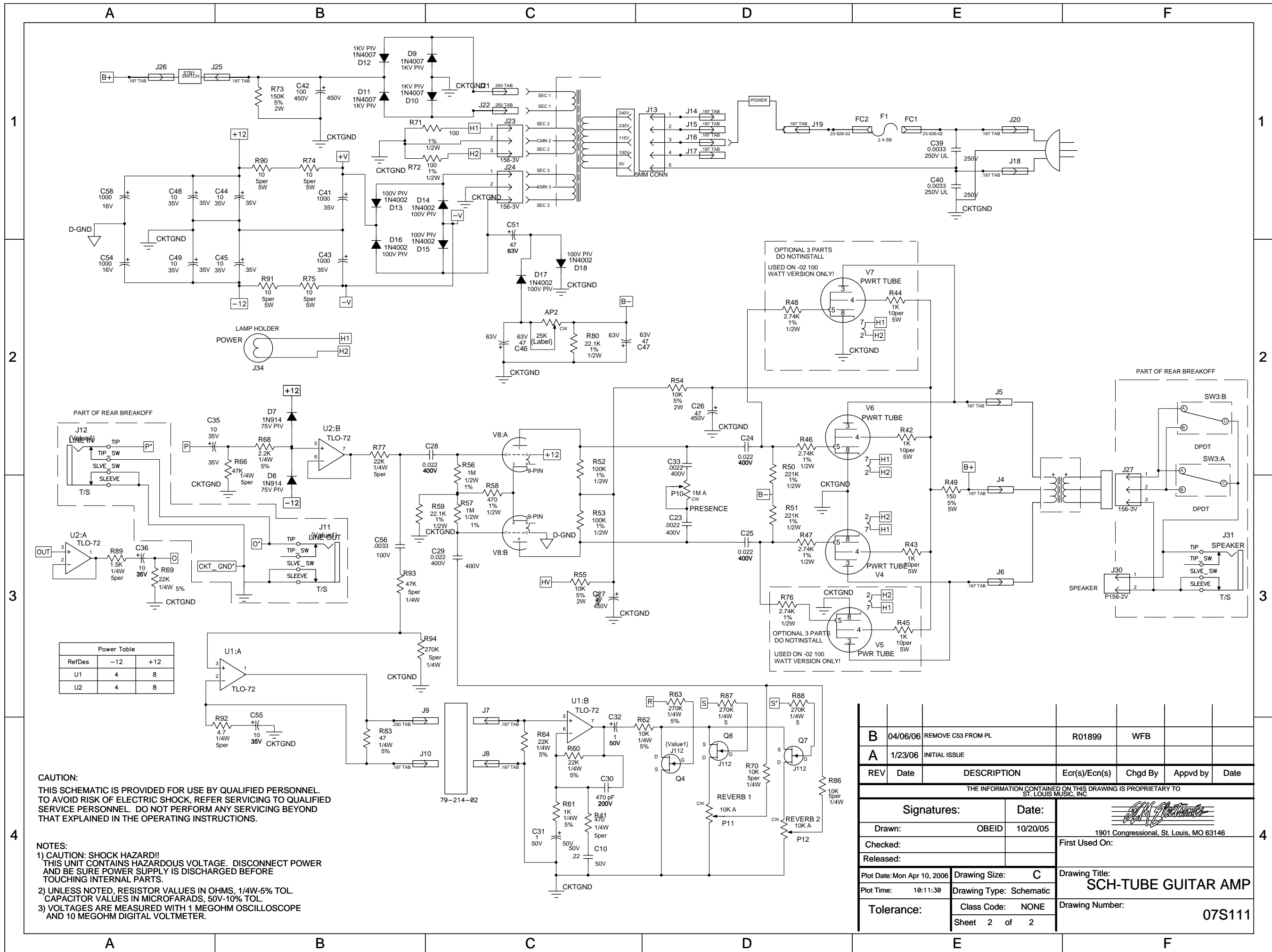
- NOTES:**
- 1) CAUTION: SHOCK HAZARD!! THIS UNIT CONTAINS HAZARDOUS VOLTAGE. DISCONNECT POWER AND BE SURE POWER SUPPLY IS DISCHARGED BEFORE TOUCHING INTERNAL PARTS.
  - 2) UNLESS NOTED, RESISTOR VALUES IN OHMS, 1/4W-5% TOL. CAPACITOR VALUES IN MICROFARADS, 50V-10% TOL.
  - 3) VOLTAGES ARE MEASURED WITH 1 MEGOHM OSCILLOSCOPE AND 10 MEGOHM DIGITAL VOLTMETER.



REV	Date	DESCRIPTION	Ecr(s)/Ecn(s)	Chgd By	Appvd by	Date
B	04/06/06	REMOVE C53 FROM PL		R01899	WFB	
A	1/23/06	INITIAL ISSUE				

THE INFORMATION CONTAINED ON THIS DRAWING IS PROPRIETARY TO ST. LOUIS MUSIC, INC.

Signatures:		Date:
Drawn:	OBEID	10/20/05
Checked:		
Released:		
Plot Date: Mon Apr 10, 2006	Drawing Size: C	Drawing Title: SCH-TUBE GUITAR AMP
Plot Time: 10:11:29	Drawing Type: Schematic	Drawing Number: 07S111
Tolerance:	Class Code: NONE	Sheet 1 of 2



Power Table			
RefDes	-12	+12	
U1	4	8	
U2	4	8	

**CAUTION:**  
 THIS SCHEMATIC IS PROVIDED FOR USE BY QUALIFIED PERSONNEL TO AVOID RISK OF ELECTRIC SHOCK. REFER SERVICING TO QUALIFIED SERVICE PERSONNEL. DO NOT PERFORM ANY SERVICING BEYOND THAT EXPLAINED IN THE OPERATING INSTRUCTIONS.

- NOTES:**
- 1) CAUTION: SHOCK HAZARD!! THIS UNIT CONTAINS HAZARDOUS VOLTAGE. DISCONNECT POWER AND BE SURE POWER SUPPLY IS DISCHARGED BEFORE TOUCHING INTERNAL PARTS.
  - 2) UNLESS NOTED, RESISTOR VALUES IN OHMS, 1/4W-5% TOL. CAPACITOR VALUES IN MICROFARADS, 50V-10% TOL.
  - 3) VOLTAGES ARE MEASURED WITH 1 MEGOHM OSCILLOSCOPE AND 10 MEGOHM DIGITAL VOLTMETER.

B	04/06/06	REMOVE C53 FROM PL	R01899	WFB		
A	1/23/06	INITIAL ISSUE				
REV	Date	DESCRIPTION	Ecr(s)/Ecn(s)	Chgd By	Appvd by	Date
THE INFORMATION CONTAINED ON THIS DRAWING IS PROPRIETARY TO ST. LOUIS MUSIC, INC.						
<b>Signatures:</b>			<b>Date:</b>		 1901 Congressional, St. Louis, MO 63146	
Drawn: OBEID			10/20/05			
Checked:			First Used On:			
Released:			Plot Date: Mon Apr 10, 2006		Drawing Size: C	
Tolerance:			Plot Time: 18:11:38		Drawing Title: SCH-TUBE GUITAR AMP	
			Drawing Type: Schematic		Drawing Number: 07S111	
			Class Code: NONE		Sheet 2 of 2	