

ASSY P/N 06B674-01 & -02

TEST POINT CONDITIONS:

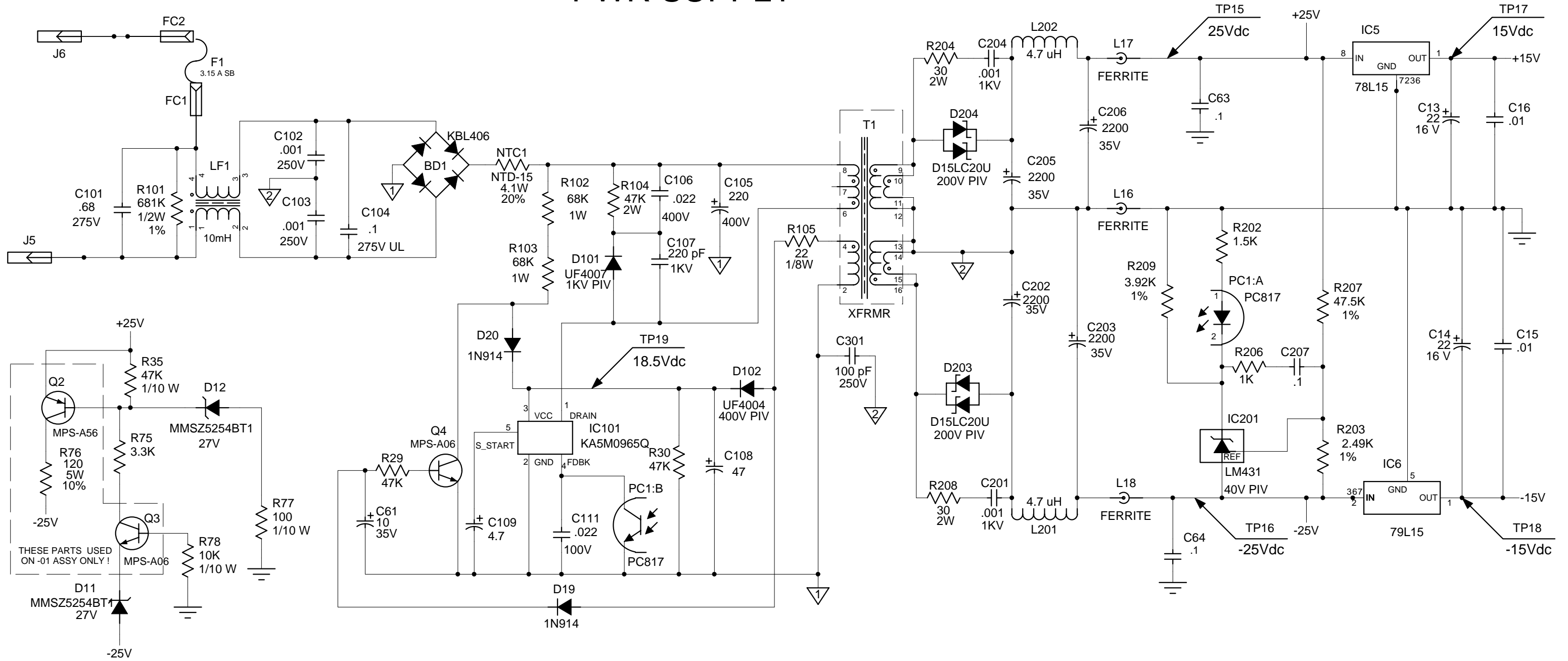
GAIN @ 10, LOW, MID, HI @ 5, LEVEL @ 10,
 LINE OUT (REAR) @ 10
 40mVpp, 1KHZ SINE WAVE INPUT

CAUTION:
 THIS SCHEMATIC IS PROVIDED FOR USE BY QUALIFIED PERSONNEL. TO AVOID RISK OF ELECTRIC SHOCK, REFER SERVICING TO QUALIFIED SERVICE PERSONNEL. DO NOT PERFORM ANY SERVICING BEYOND THAT EXPLAINED IN THE OPERATING INSTRUCTIONS.

NOTES:
 1) CAUTION: SHOCK HAZARD!! THIS UNIT CONTAINS HAZARDOUS VOLTAGE. DISCONNECT POWER AND BE SURE POWER SUPPLY IS DISCHARGED BEFORE TOUCHING INTERNAL PARTS.
 2) UNLESS NOTED, RESISTOR VALUES IN OHMS, 1/10W-5% TOL. CAPACITOR VALUES IN MICROFARADS, 50V-10% TOL.
 3) VOLTAGES ARE MEASURED WITH 1 MEGOHM OSCILLOSCOPE AND 10 MEGOHM DIGITAL VOLTMETER.

1	6/14/05	CHANGED VALUES, ADDED -02 VERSION	N01834	REM		
0	05/23/05	CONTROL ISSUE				
REV	Date	DESCRIPTION	Ecr(s)/Ecn(s)	Chgd By	Appvd by	Date
THE INFORMATION CONTAINED ON THIS DRAWING IS PROPRIETARY TO ST. LOUIS MUSIC, INC.						
Signatures:			Date:			
Drawn: WFB			06/30/04		1901 Congressional, St. Louis, MO 63146	
Checked:			First Used On:			
Released:						
Plot Date: Wed Jun 15, 2005		Drawing Size: C		Drawing Title: PREAMP PWA		
Plot Time: 07:48:49		Drawing Type: Schematic		Drawing Number: 06S674		
Tolerance:		Class Code: NONE		Sheet 1 of 2		

MAIN BOARD PWR SUPPLY



CAUTION:
THIS SCHEMATIC IS PROVIDED FOR USE BY QUALIFIED PERSONNEL.
TO AVOID RISK OF ELECTRIC SHOCK, REFER SERVICING TO QUALIFIED
SERVICE PERSONNEL. DO NOT PERFORM ANY SERVICING BEYOND
THAT EXPLAINED IN THE OPERATING INSTRUCTIONS.

- NOTES:
- 1) CAUTION: SHOCK HAZARD!!
THIS UNIT CONTAINS HAZARDOUS VOLTAGE. DISCONNECT POWER
AND BE SURE POWER SUPPLY IS DISCHARGED BEFORE
TOUCHING INTERNAL PARTS.
 - 2) UNLESS NOTED, RESISTOR VALUES IN OHMS, 1/8W-5% TOL.
CAPACITOR VALUES IN MICROFARADS, 50V-10% TOL.
 - 3) VOLTAGES ARE MEASURED WITH 1 MEGOHM OSCILLOSCOPE
AND 10 MEGOHM DIGITAL VOLTMETER.

REV	Date	DESCRIPTION	Ecr(s)/Ecn(s)	Chgd By	Appvd by	Date
1	6/14/05	CHANGED VALUES, ADDED -02 VERSION	N01834	REM		
0	05/23/05	CONTROL ISSUE				

THE INFORMATION CONTAINED ON THIS DRAWING IS PROPRIETARY TO ST. LOUIS MUSIC, INC

Signatures:	Date:	 1901 Congressional, St. Louis, MO 63146
Drawn: WFB	06/30/04	
Checked:		First Used On:
Released:		
Plot Date: Wed Jun 15, 2005	Drawing Size: B	Drawing Title: PREAMP PWA
Plot Time: 07:40:18	Drawing Type: Schematic	
Tolerance:	Class Code: NONE	Drawing Number: 06S674
	Sheet 2 of 2	