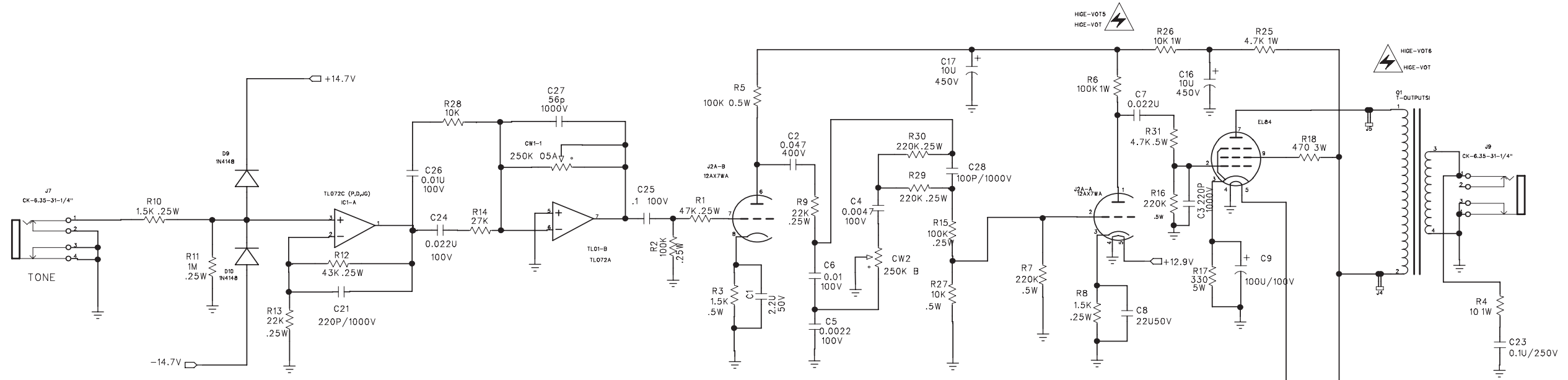
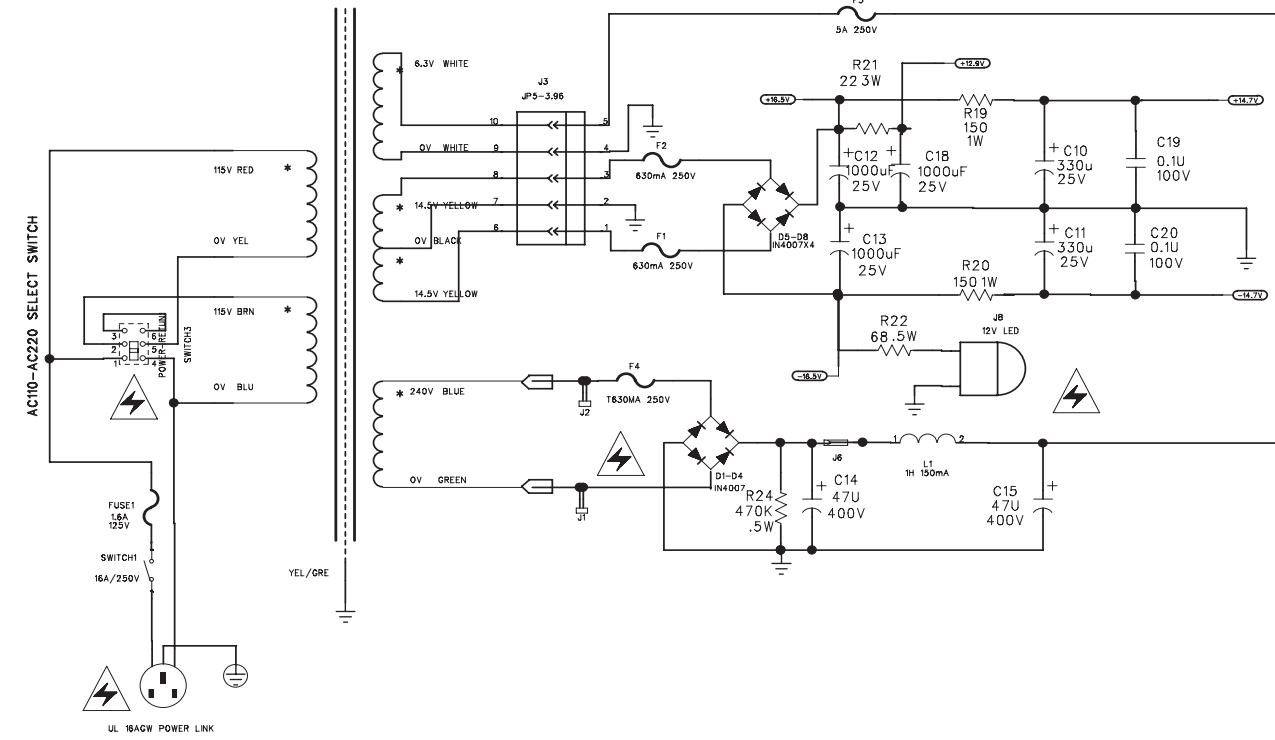


ECO/DSR	REV	DESCRIPTION	REV.BY	DATE
DSRCHN0115	400	RELEASE TO PROTOTYPE	STEVE ZHOU	2007-8-30
ECOCHN0234	A00	RELEASE TO PRODUCTION	STEVE ZHOU	2007-10-24



V5110 POWER TRANS



APPROVALS	DATE	LOUD TECHNOLOGIES INC. WOODINVILLE WA. USA			
DRAWN: Steve	09-20-07	V5110 AMP			
CHECKED:					
NP ENG:					
MATERIAL:					
MFG:					
MFG ENG:		SIZE D	SCALE: NONE	DWG. NO. 0025329-00	REV. A00
ISSUED:		DWG FILE:		SHEET 1 OF 1	

©2006 LOUD TECHNOLOGIES INC. ALL RIGHTS RESERVED. THE INFORMATION CONTAINED HEREIN IS PROPRIETARY AND CONFIDENTIAL PROPERTY OF LOUD TECHNOLOGIES INC.