

8 7 6 5 4 3 2 1

D C B A

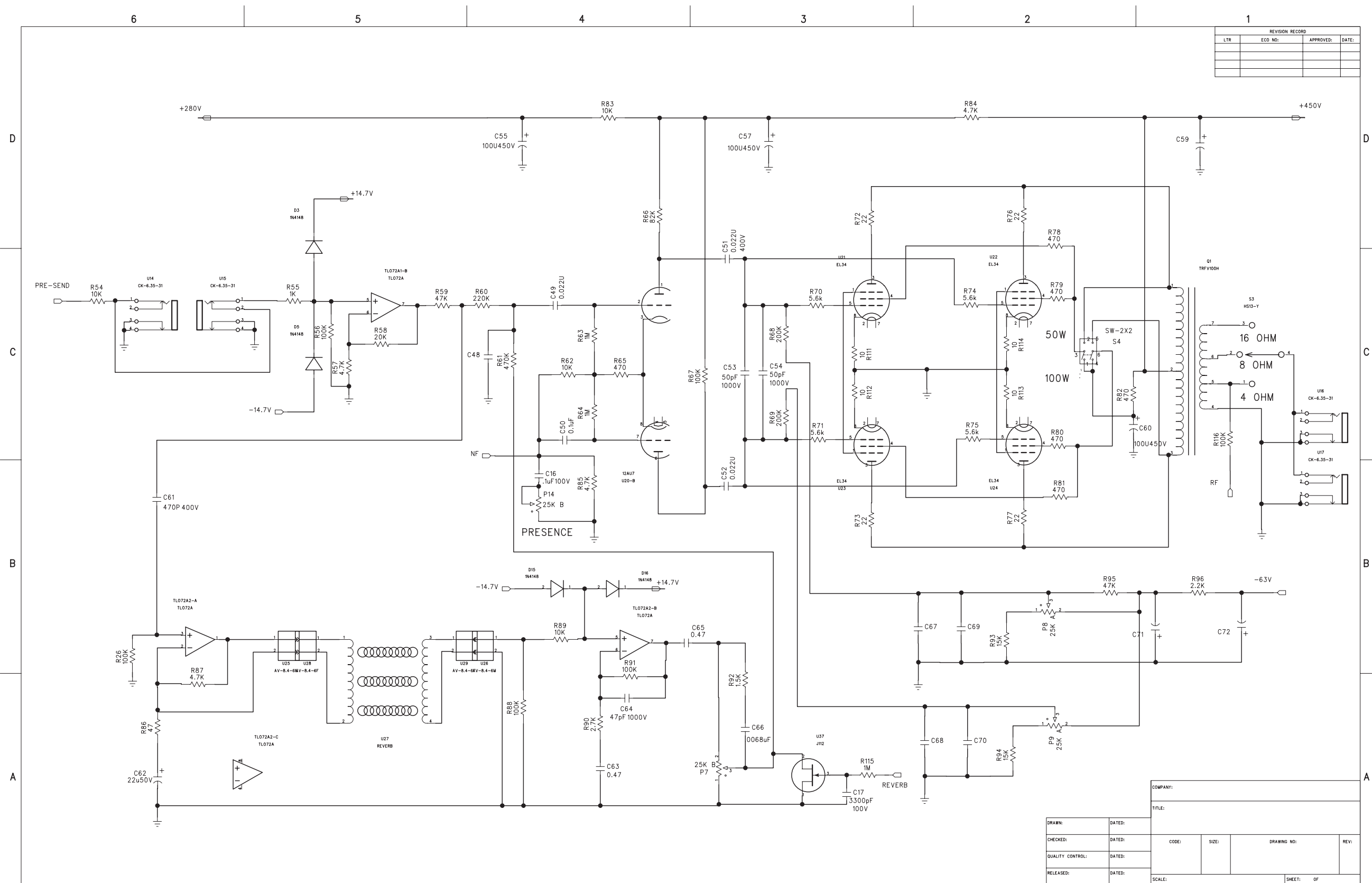
ECN#	REV#	DESCRIPTION	REV. BY:	APP. BY:	DATE

APPROVALS		DATE
DRAWN: Steve	CHECKED:	17/07/07
MP ENG:	MATERIAL:	
MFG ENG:	SIZE SCALE:	
ISSUER:	DWG. NO.:	V100H TUBE HEAD
	SHEET	1 OF X

©2006 LOUD TECHNOLOGIES INC.
 ALL RIGHTS RESERVED
 THE INFORMATION CONTAINED HEREIN
 IS PROPRIETARY AND CONFIDENTIAL
 PROPERTY OF LOUD TECHNOLOGIES INC.

TECHNOLOGIES INC. WOODINVILLE WA. USA

V100H TUBE HEAD AMP



REVISION RECORD			
LTR	ECO NO:	APPROVED:	DATE:

DRAWN:				DATED:					
CHECKED:				DATED:					
QUALITY CONTROL:				DATED:					
RELEASED:				DATED:					
COMPANY:		TITLE:		CODE:		DRAWING NO:		REV:	
SCALE:		SHEET:		OF					