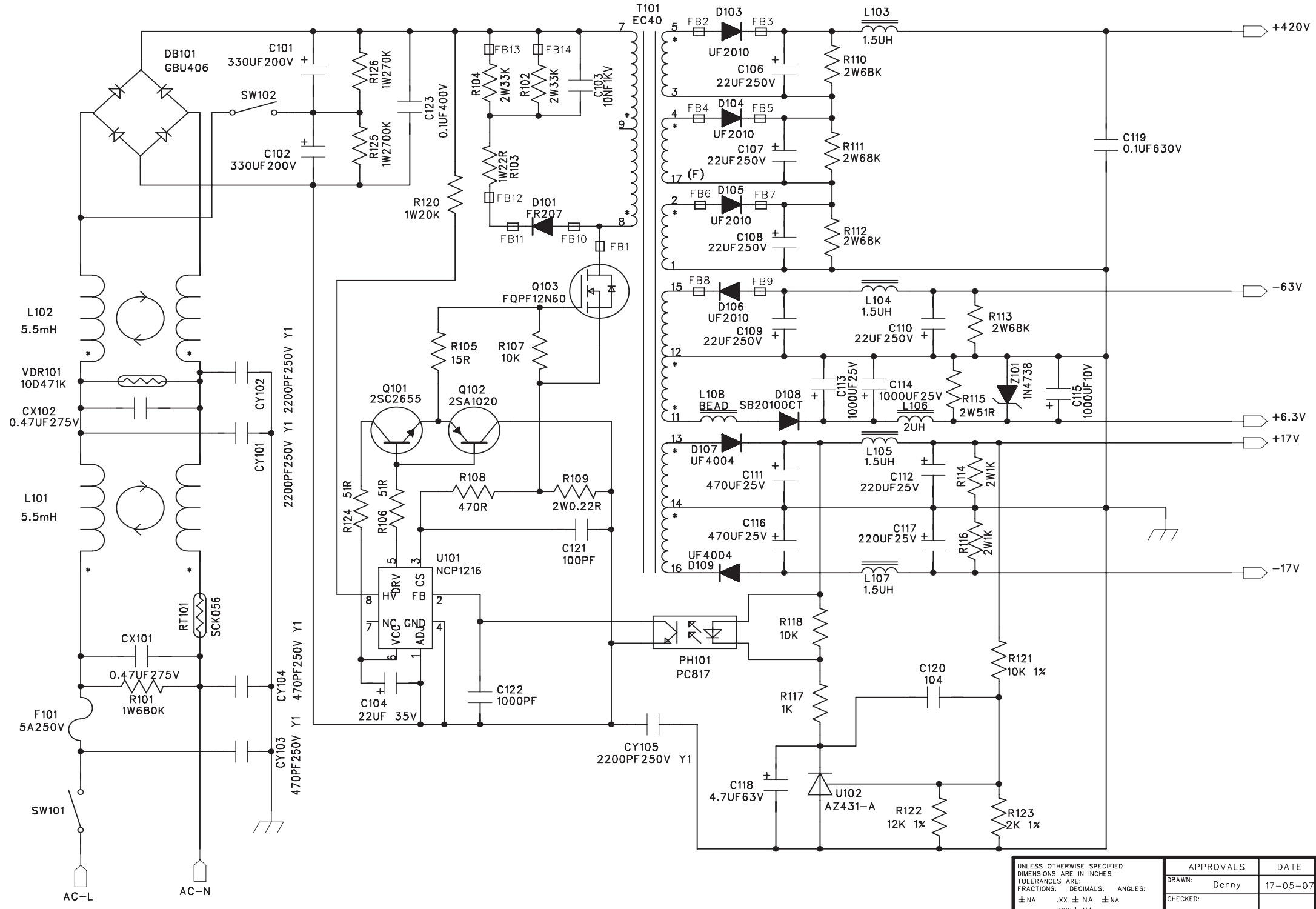



ECO/DSR	REV.	DESCRIPTION	REV.BY	DATE
ECOCHN0122	A00	INITIAL PRODUCTION RELEASE	STEVE ZHOU	2007-8-30



UNLESS OTHERWISE SPECIFIED DIMENSIONS ARE IN INCHES TOLERANCES ARE: FRACTIONS: DECIMALS: ANGLES: ± NA .xx ± NA ± NA .xxx ± NA	APPROVALS	DATE
MATERIAL:	DRAWN: Denny	17-05-07
FINISH:	CHECKED:	
	NP ENGINEERING:	
	MANUFACTURING:	
	MFG ENGINEERING:	
DO NOT SCALE DRAWING	ISSUED:	


**LOUD Technologies Inc.**  
 16220 WOOD-RED RD NE WOODINVILLE, WA 98072

**SCHEMATIC V50-112 PS**

SIZE: D	SCALE: 1:1	DWG. NO.: 0024349-00	REV.: A00
DWG FILE:		SHEET 1 OF 1	

©2006 LOUD TECHNOLOGIES INC.  
 ALL RIGHTS RESERVED  
 THE INFORMATION CONTAINED HEREIN  
 IS PROPRIETARY AND CONFIDENTIAL  
 PROPERTY OF LOUD TECHNOLOGIES INC.