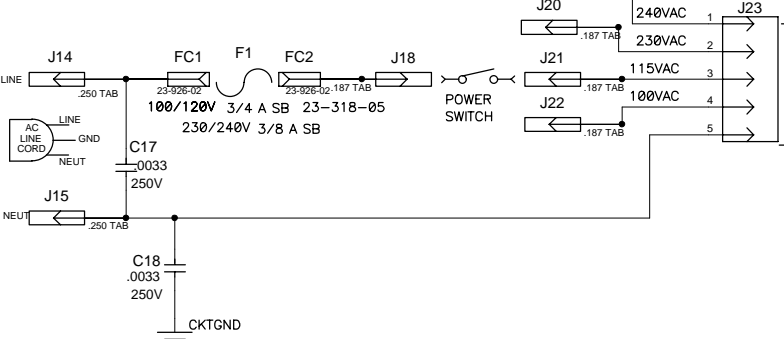
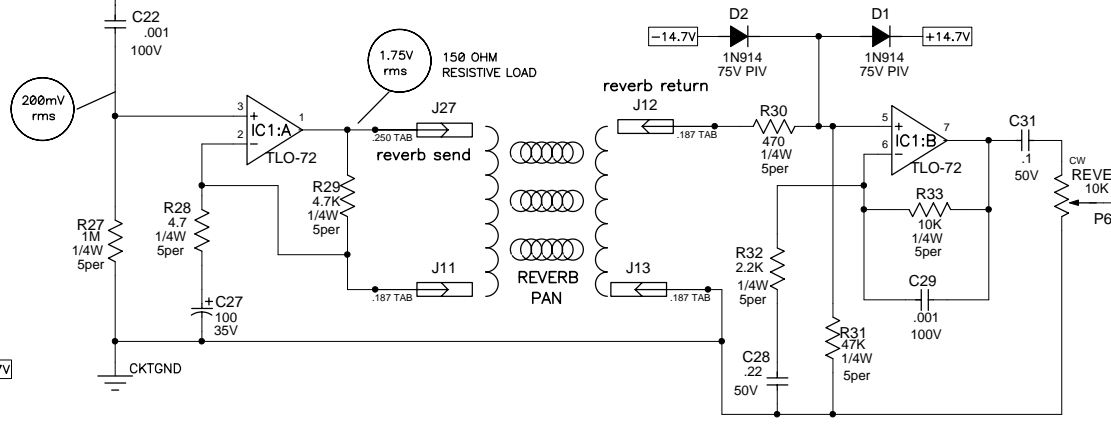


NOTE: TEST POINT CONDITIONS:
 120 VAC LINE. 16 OHM LOAD
 GAIN @ '5', ALL OTHER CONTROLS @ '10'
 EXCEPT REVERB @ '0', BOOST ON
 7.5mVrms INPUT SIGNAL @ 400HZ.



CAUTION:
 THIS SCHEMATIC IS PROVIDED FOR USE BY QUALIFIED PERSONNEL. TO AVOID RISK OF ELECTRIC SHOCK, REFER SERVICING TO QUALIFIED SERVICE PERSONNEL. DO NOT PERFORM ANY SERVICING BEYOND THAT EXPLAINED IN THE OPERATING INSTRUCTIONS.

NOTES:
 1) CAUTION: SHOCK HAZARD!! THIS UNIT CONTAINS HAZARDOUS VOLTAGE. DISCONNECT POWER AND BE SURE POWER SUPPLY IS DISCHARGED BEFORE TOUCHING INTERNAL PARTS.
 2) UNLESS NOTED, RESISTOR VALUES IN OHMS, 1/4W-5% TOL. CAPACITOR VALUES IN MICROFARADS, 50V-10% TOL.
 3) VOLTAGES ARE MEASURED WITH 1 MEGOHM OSCILLOSCOPE AND 10 MEGOHM DIGITAL VOLTMETER.



ASSY PART # 07-289-01

RefDes	+14.7V	-14.7V
IC1	8	4

REV	Date	DESCRIPTION	Ecr(s)/Ecn(s)	Chgd By	Appvd by	Date
1	3/04/02	VALUE CHANGES & J30 DESIGNATOR CORRECTED TO J24.				
0	12/05/01	CONTROL ISSUE				

THE INFORMATION CONTAINED ON THIS DRAWING IS PROPRIETARY TO ST. LOUIS MUSIC, INC.

Signatures:		Date:
Drawn:	REM	4/24/01
Checked:		
Released:		

11880 Borman Drive, St. Louis, MO 63146

Plot Date: Tue Mar 05, 2002	Drawing Size: C	Drawing Title: VC1512a
Plot Time: 07:48:29	Drawing Type: Schematic	Drawing Title: PWA - TUBE GUITAR AMP
Tolerance:	Class Code: NONE	Drawing Number: 07S289-XX
	Sheet 1 of 1	