

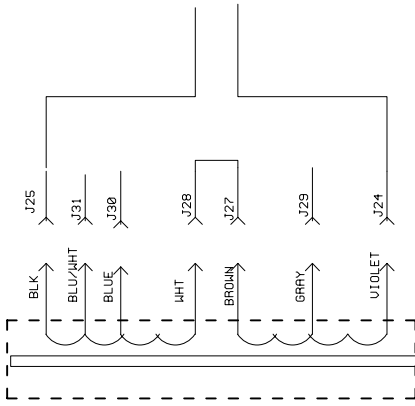
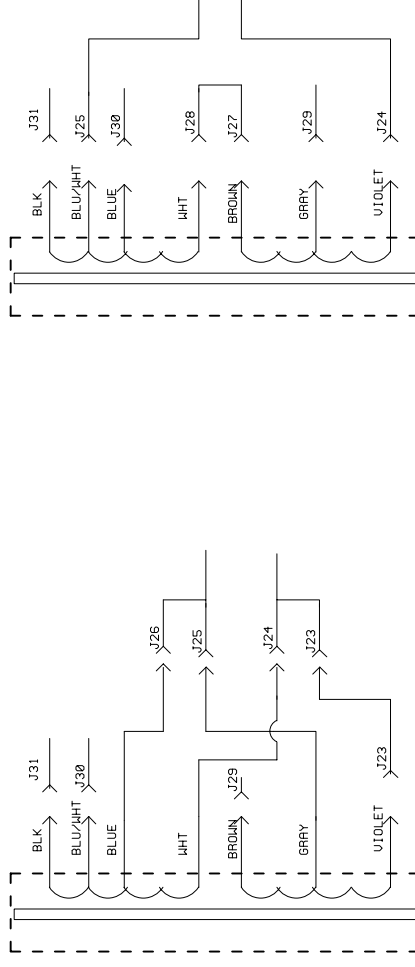
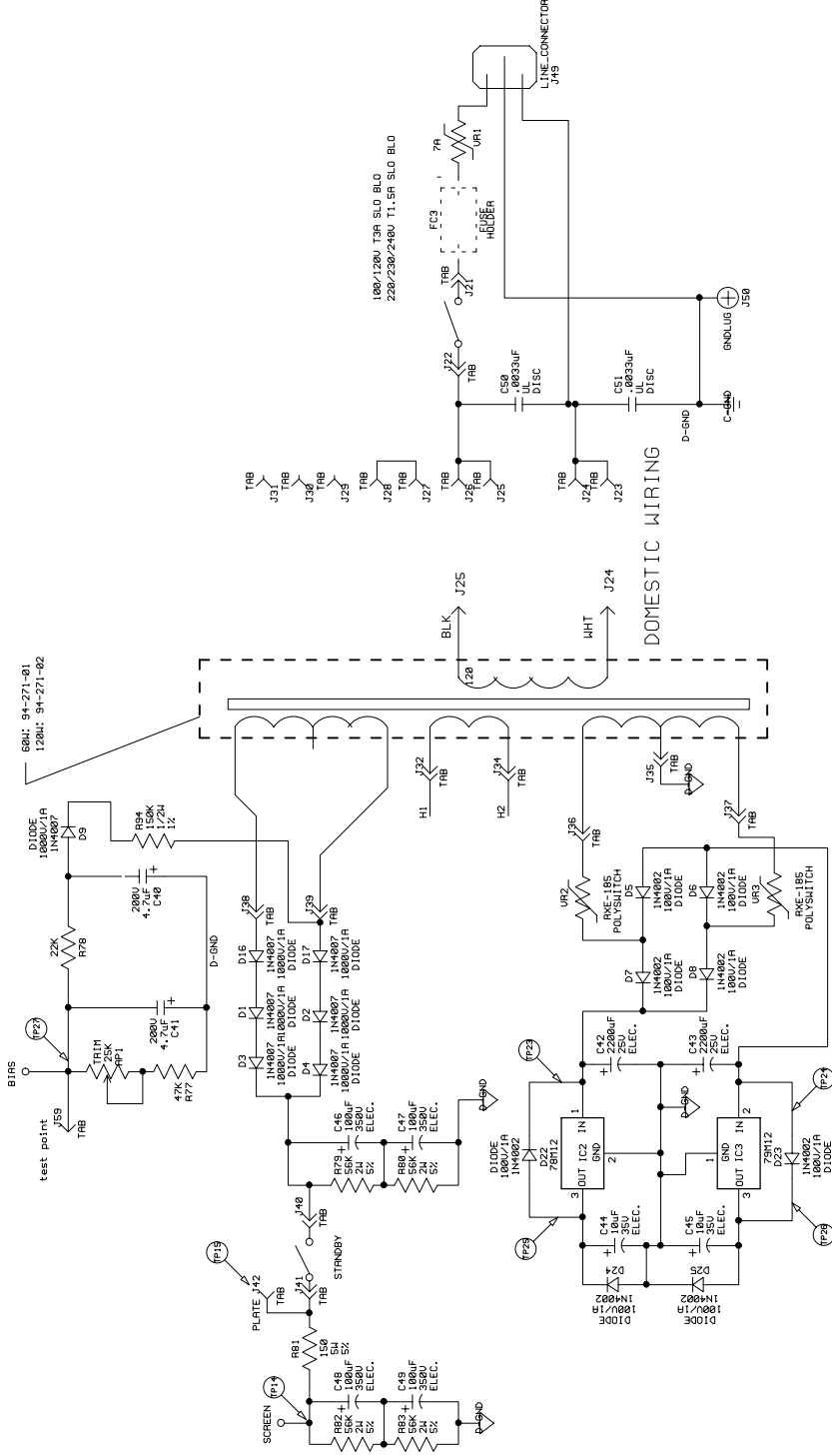
TEST POINT CONDITIONS: ALL DC VOLTAGES WITH NO SIGNAL APPLIED.  
 400HZ SINEWAVE @ 10mV.  
 ALL CONTROLS @ 10 EXCEPT DIRTY CH. LEVEL @ 5 REVERB @ 0  
 ALL BOOST SWITCHES OFF 16 OHM LOAD  
 REVERB LOADED WITH 1500HM RESISTOR.

TP	CLEAN CHANNEL			DIRTY CHANNEL		
	DC VOLTS	AC VOLTS	WAVEFORM	TP	DC VOLTS	WAVEFORM
1	—	18mVrms		1	—	
2	140	.375Vrms		2	140	.375Vrms
3	175	1.7Vrms		3	175	1.9Vrms
4	180	.17Vrms		4	180	31Vrms
5	145	1.2Vrms		5	145	1.2Vrms
6	265	26.2Vrms		6	265	80Vrms
7	260	7Vrms		7	260	21.1Vrms
8	278	1.84Vrms		8	278	.75Vrms
9	64	1.91Vrms		9	64	.78Vrms
10	80	2.45Vrms		10	80	1Vrms
11	256	36.5Vrms		11	256	17.5Vrms
12	250	38.5Vrms		12	250	18.1Vrms
13	—	28.8Vrms		13	—	14.5Vrms
14	470	.62Vrms		14	470	.62Vrms
15	475	3.5Vrms		15	475	3.5Vrms
16	390	—		16	390	—
17	335	—		17	335	—
18	320	—		18	320	—
19	-8.5	2.2Vrms		19	-8.5	.95Vrms
20	-3.75	6.65Vrms		20	-3.75	3.13Vrms
21	-12	—		21	0	—
22	0	—		22	-11.5	—
23	16	.35Vrms		23	16	.35Vrms
24	-16.4	.3Vrms		24	-16.4	.3Vrms
25	12	—		25	12	—
26	-12	—		26	-12	—
27	-50	—		27	-50	—

CAUTION:  
 THIS SCHEMATIC IS PROVIDED FOR USE BY QUALIFIED PERSONNEL.  
 TO AVOID RISK OF ELECTRIC SHOCK, REFER SERVICING TO QUALIFIED  
 SERVICE PERSONNEL. DO NOT PERFORM ANY SERVICING BEYOND  
 THAT EXPAINED IN THE OPERATING INSTRUCTIONS.

- NOTES:  
 1. THIS UNIT CONTAINS HAZARDOUS VOLTAGE. DISCONNECT POWER  
 AND BE SURE POWER SUPPLY IS DISCHARGED BEFORE  
 TOUCHING INTERNAL PARTS.  
 2. UNLESS NOTED, RESISTOR VALUES IN OHMS, 1/4W-5% TOL.  
 CAPACITOR VALUES IN MICROFARADS, 50V-10% TOL.  
 3. THIS UNIT SHOULD BE TESTED WITH REGENT OSCILLOSCOPE  
 AND 10 RESIST DIGITAL VOLTMETER.

LAST DESIGNATOR R12 C58 D25 Q14 IC3 J58 Q5 UR1  
 NOT USED C5,C38,J2,J16,J11,J16-J28,J33,J43,J52,R57,J5



EXPORT WIRING

REV	DATE	BY	CHK'D	DESCRIPTION
1	02/03/98	REM	OK	REPL_C1,R58_OPT_PER_E980150,ADDED_EXPORT_WIRING.
2	03/02/98	REM	OK	ART_T0_REU_2,ADDED_R111,R112_PER_E980227.
3	6-30-98	RLB	OK	DEL_R57,C38,C5_PER_ECO_980427
4	10-9-98	RLB	OK	CHANGE TO AGREE WITH PICTORIAL PER E980536
5	11-25-98	RLB	OK	CHANGE TO AGREE WITH PICTORIAL PER E980586

SIGNATURES:	DATE:	DESCRIPTION
REM	01/06/98	
OK	01/06/98	
OK	01/06/98	
OK	01/06/98	

PROJECT NAME:	DRAWING NO.:	REV.:
VC-60/120-GUITAR_AMP	07S271-01/11	5

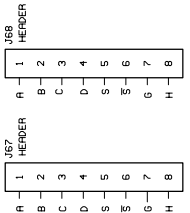
ORIGINAL ISSUED:	DATE:	SCALE:	SHEET:
01/06/98	00/00/00	NONE	1_OF_2

SCHEMATIC

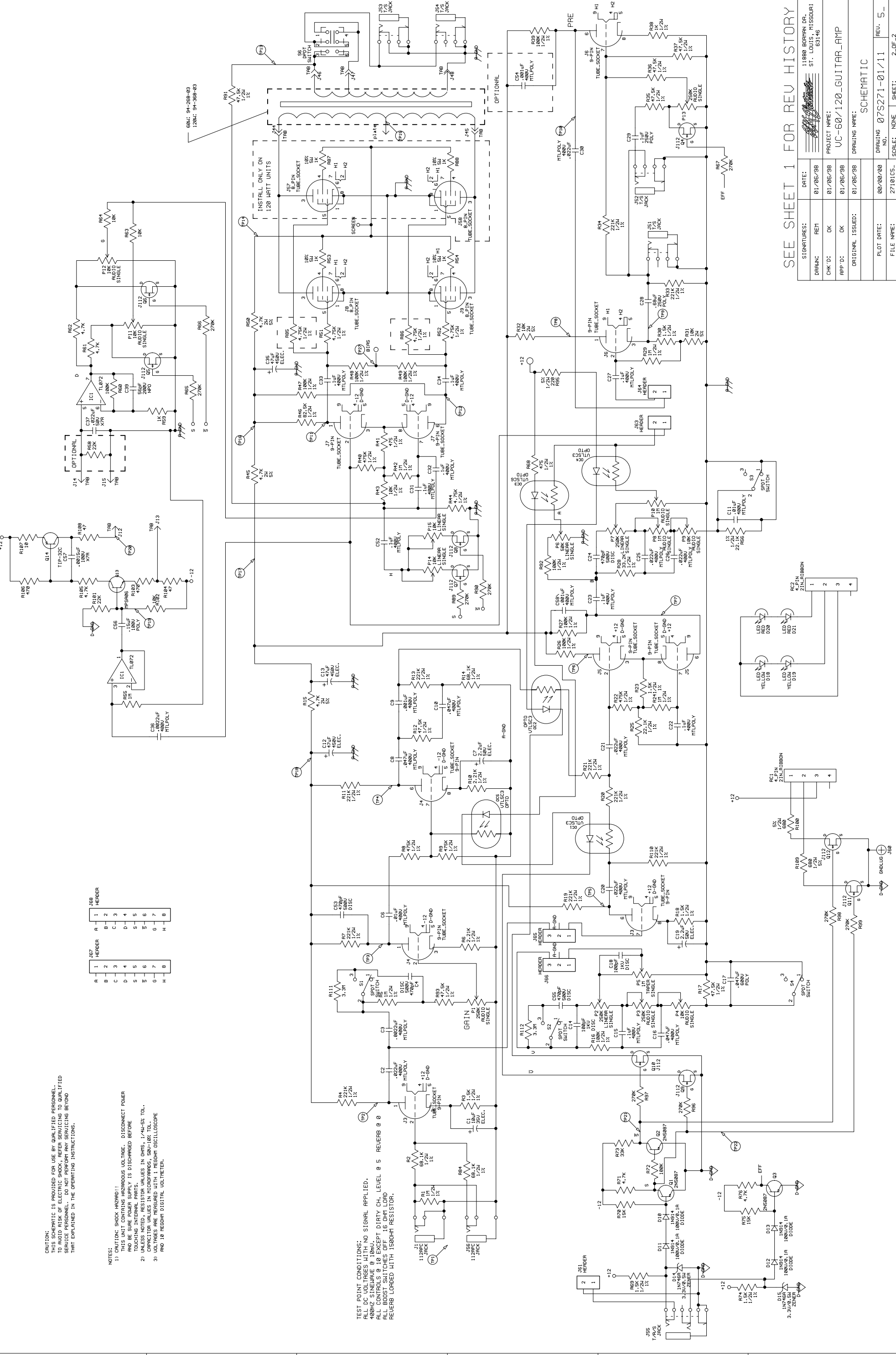
**CAUTION:**  
THIS SCHEMATIC IS PROVIDED FOR USE BY QUALIFIED PERSONNEL.  
TO AVOID RISK OF ELECTRIC SHOCK, REFER SERVING TO QUALIFIED  
PERSONNEL BEFORE ATTEMPTING TO SERVICING BEYOND  
THAT EXPLAINED IN THE OPERATING INSTRUCTIONS.

**NOTES:**

- 1) THIS UNIT CONTAINS HAZARDOUS VOLTAGE. DISCONNECT POWER AND BE SURE POWER SUPPLY IS DISCHARGED BEFORE TOUCHING INTERNAL PARTS.
- 2) CAPACITOR VALUES IN MICROFARADS: 500-1000 TOL. CAPACITOR VALUES IN PICOFARADS: 500-1000 TOL.
- 3) VOLTAGES ARE MEASURED WITH 1 HEADPHONES OSCILLOSCOPE AND 10 MEGOHM DIGITAL VOLTMETER.



**TEST POINT CONDITIONS:**  
ALL DC VOLTAGES WITH NO SIGNAL APPLIED.  
800HZ TONE WITH 100% MODULATION.  
ALL BOOST SWITCHES OFF 16 OHM LOAD  
REVERB LOBBED WITH 1500HZ RESISTOR.



**SEE SHEET 1 FOR REV HISTORY**

SIGNATURES:	DATE:	11880 BORRAN DR. ST. LOUIS, MISSOURI 63146
DRAWN: REPI	01/06/98	
CHK'D: OK	01/06/98	PROJECT NAME: UC-60/120_GUITAR_AMP
APP'D: OK	01/06/98	DRAWING NAME: SCHEMATIC
ORIGINAL ISSUED:	01/06/98	
PLOT DATE:	06/00/00	REV. 5-
FILE NAME:	27101CS...	SHEET: 2 OF 2