

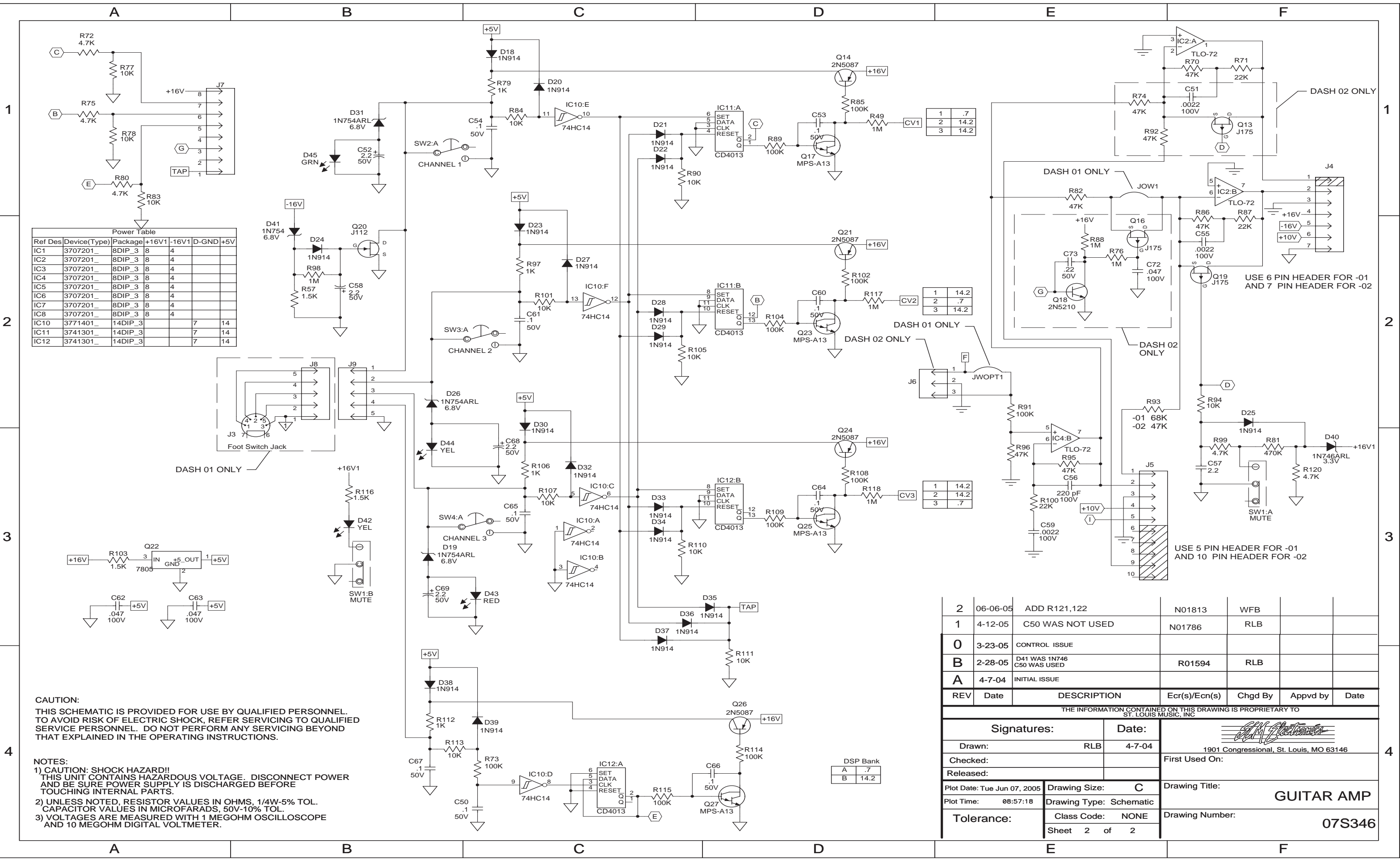
CAUTION:
THIS SCHEMATIC IS PROVIDED FOR USE BY QUALIFIED PERSONNEL. TO AVOID RISK OF ELECTRIC SHOCK, REFER SERVICING TO QUALIFIED SERVICE PERSONNEL. DO NOT PERFORM ANY SERVICING BEYOND THAT EXPLAINED IN THE OPERATING INSTRUCTIONS.

- NOTES:**
 1) CAUTION: SHOCK HAZARD!! THIS UNIT CONTAINS HAZARDOUS VOLTAGE. DISCONNECT POWER AND BE SURE POWER SUPPLY IS DISCHARGED BEFORE TOUCHING INTERNAL PARTS.
 2) UNLESS NOTED, RESISTOR VALUES IN OHMS, 1/4W-5% TOL. CAPACITOR VALUES IN MICROFARADS, 50V-10% TOL.
 3) VOLTAGES ARE MEASURED WITH 1 MEGOHM OSCILLOSCOPE AND 10 MEGOHM DIGITAL VOLTMETER.

2	06-06-05	ADD R121,122	N01813	WFB		
1	4-12-05	C50 WAS NOT USED	N01786	RLB		
0	3-23-05	CONTROL ISSUE				
B	2-28-05	D41 WAS 1N746 C50 WAS USED	R01594	RLB		
A	4-7-04	INITIAL ISSUE				
REV	Date	DESCRIPTION	Ecr(s)/Ecn(s)	Chgd By	Appvd by	Date

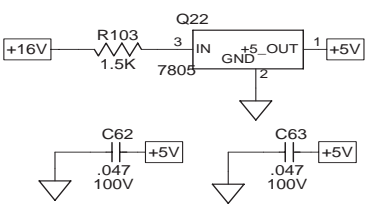
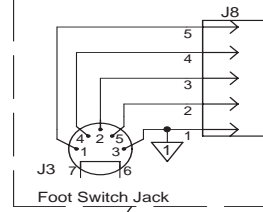
THE INFORMATION CONTAINED ON THIS DRAWING IS PROPRIETARY TO ST. LOUIS MUSIC, INC.

Signatures:		Date:	
Drawn: RLB		4-7-04	
Checked:		First Used On:	1901 Congressional, St. Louis, MO 63146
Released:		Drawing Title:	GUITAR AMP
Plot Date: Tue Jun 07, 2005	Drawing Size: C	Drawing Number:	07S346
Plot Time: 08:57:18	Drawing Type: Schematic		
Tolerance:	Class Code: NONE		
	Sheet 1 of 2		



Power Table

Ref Des	Device(Type)	Package	+16V1	-16V1	D-GND	+5V
IC1	3707201	8DIP_3	8	4		
IC2	3707201	8DIP_3	8	4		
IC3	3707201	8DIP_3	8	4		
IC4	3707201	8DIP_3	8	4		
IC5	3707201	8DIP_3	8	4		
IC6	3707201	8DIP_3	8	4		
IC7	3707201	8DIP_3	8	4		
IC8	3707201	8DIP_3	8	4		
IC10	3771401	14DIP_3			7	14
IC11	3741301	14DIP_3			7	14
IC12	3741301	14DIP_3			7	14



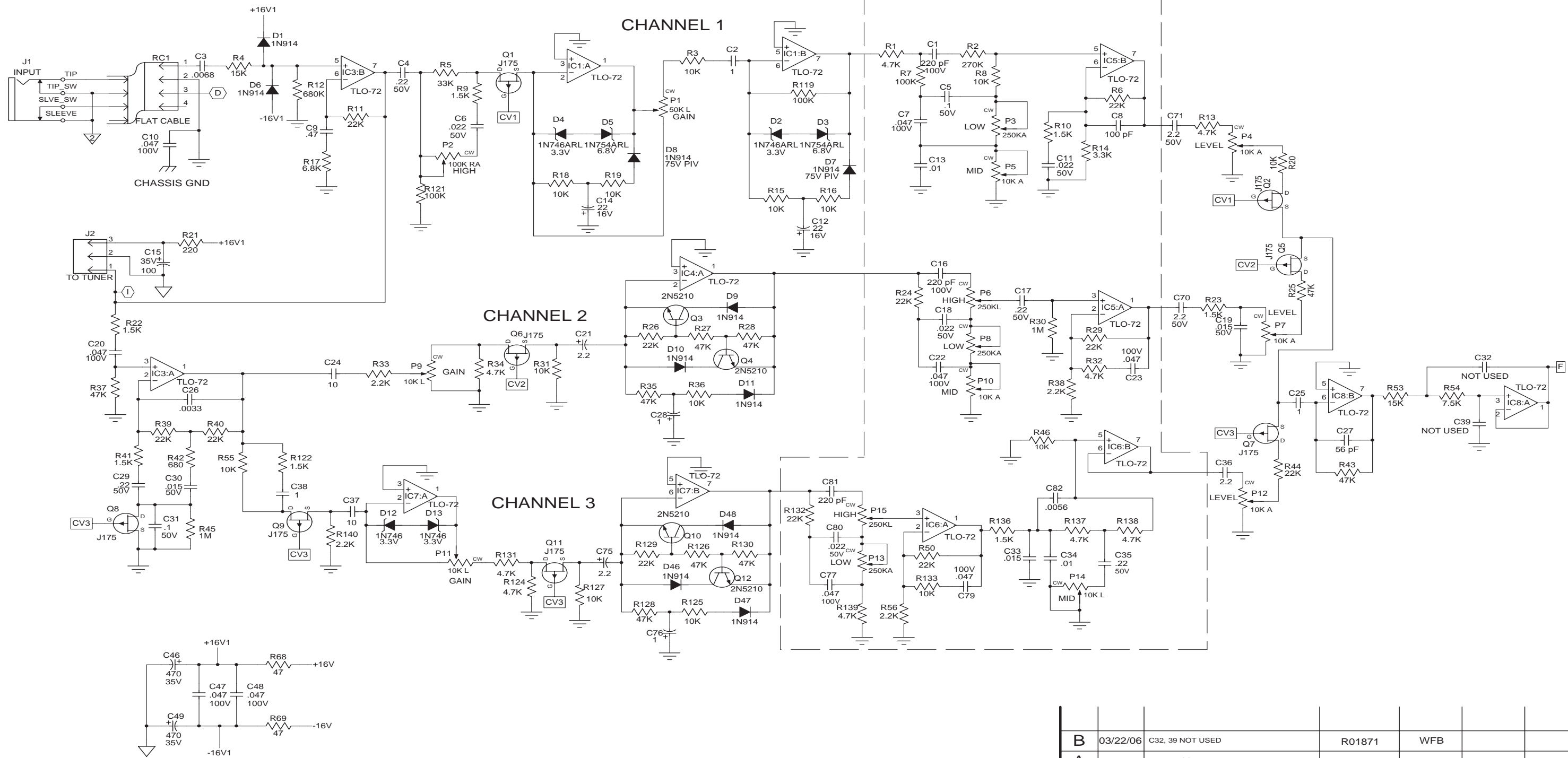
CAUTION:
THIS SCHEMATIC IS PROVIDED FOR USE BY QUALIFIED PERSONNEL. TO AVOID RISK OF ELECTRIC SHOCK, REFER SERVICING TO QUALIFIED SERVICE PERSONNEL. DO NOT PERFORM ANY SERVICING BEYOND THAT EXPLAINED IN THE OPERATING INSTRUCTIONS.

- NOTES:**
- 1) CAUTION: SHOCK HAZARD!! THIS UNIT CONTAINS HAZARDOUS VOLTAGE. DISCONNECT POWER AND BE SURE POWER SUPPLY IS DISCHARGED BEFORE TOUCHING INTERNAL PARTS.
 - 2) UNLESS NOTED, RESISTOR VALUES IN OHMS, 1/4W-5% TOL. CAPACITOR VALUES IN MICROFARADS, 50V-10% TOL.
 - 3) VOLTAGES ARE MEASURED WITH 1 MEGOHM OSCILLOSCOPE AND 10 MEGOHM DIGITAL VOLTMETER.

REV	Date	DESCRIPTION	Ecr(s)/Ecn(s)	Chgd By	Appvd by	Date
2	06-06-05	ADD R121,122	N01813	WFB		
1	4-12-05	C50 WAS NOT USED	N01786	RLB		
0	3-23-05	CONTROL ISSUE				
B	2-28-05	D41 WAS 1N746 C50 WAS USED	R01594	RLB		
A	4-7-04	INITIAL ISSUE				

THE INFORMATION CONTAINED ON THIS DRAWING IS PROPRIETARY TO ST. LOUIS MUSIC, INC.

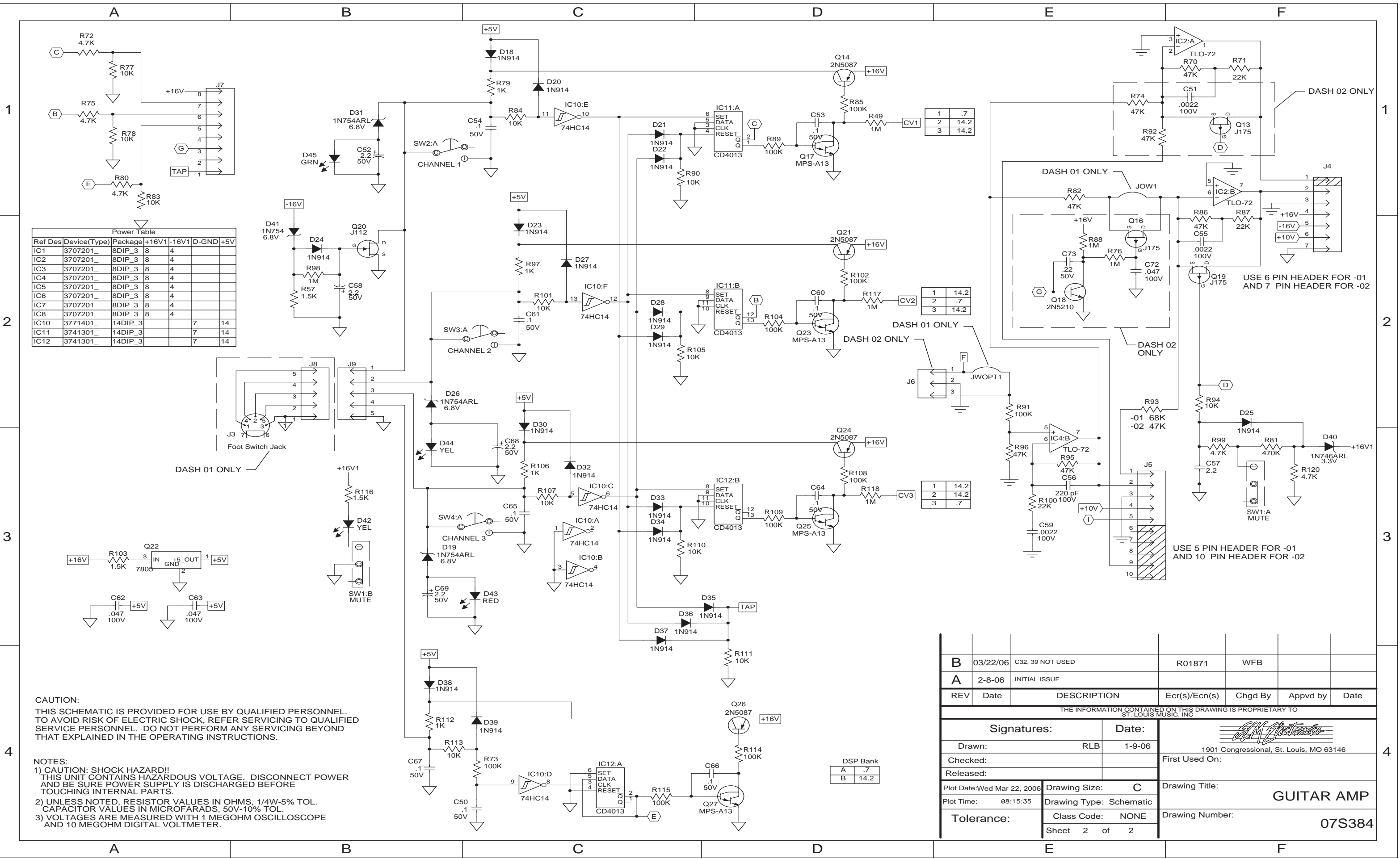
Signatures:		Date:	
Drawn: RLB		4-7-04	
Checked:		First Used On:	1901 Congressional, St. Louis, MO 63146
Released:		Drawing Title:	GUITAR AMP
Plot Date: Tue Jun 07, 2005	Drawing Size: C	Drawing Number:	07S346
Plot Time: 08:57:18	Drawing Type: Schematic		
Tolerance:	Class Code: NONE		
	Sheet 2 of 2		



CAUTION:
THIS SCHEMATIC IS PROVIDED FOR USE BY QUALIFIED PERSONNEL.
TO AVOID RISK OF ELECTRIC SHOCK, REFER SERVICING TO QUALIFIED
SERVICE PERSONNEL. DO NOT PERFORM ANY SERVICING BEYOND
THAT EXPLAINED IN THE OPERATING INSTRUCTIONS.

- NOTES:
1) CAUTION: SHOCK HAZARD!!
THIS UNIT CONTAINS HAZARDOUS VOLTAGE. DISCONNECT POWER
AND BE SURE POWER SUPPLY IS DISCHARGED BEFORE
TOUCHING INTERNAL PARTS.
2) UNLESS NOTED, RESISTOR VALUES IN OHMS, 1/4W-5% TOL.
CAPACITOR VALUES IN MICROFARADS, 50V-10% TOL.
3) VOLTAGES ARE MEASURED WITH 1 MEGOHM OSCILLOSCOPE
AND 10 MEGOHM DIGITAL VOLTMETER.

B	03/22/06	C32, 39 NOT USED	R01871	WFB		
A	2-8-06	INITIAL ISSUE				
REV	Date	DESCRIPTION	Ecr(s)/Ecn(s)	Chgd By	Appvd by	Date
THE INFORMATION CONTAINED ON THIS DRAWING IS PROPRIETARY TO ST. LOUIS MUSIC, INC.						
Signatures:			Date:		 1901 Congressional, St. Louis, MO 63146	
Drawn: RLB			1-9-06			
Checked:					First Used On:	
Released:						
Plot Date: Wed Mar 22, 2006		Drawing Size: C		Drawing Title:		
Plot Time: 08:15:34		Drawing Type: Schematic		GUITAR AMP		
Tolerance:		Class Code: NONE		Drawing Number:		
		Sheet 1 of 2		07S384		



Power Table

Ref Des	Device(Type)	Package	+16V1	-16V1	D-GND	+5V
IC1	3707201	8DIP_3	8	4		
IC2	3707201	8DIP_3	8	4		
IC3	3707201	8DIP_3	8	4		
IC4	3707201	8DIP_3	8	4		
IC5	3707201	8DIP_3	8	4		
IC6	3707201	8DIP_3	8	4		
IC7	3707201	8DIP_3	8	4		
IC8	3707201	8DIP_3	8	4		
IC10	3771401	14DIP_3			7	14
IC11	3741301	14DIP_3			7	14
IC12	3741301	14DIP_3			7	14

CAUTION:
THIS SCHEMATIC IS PROVIDED FOR USE BY QUALIFIED PERSONNEL. TO AVOID RISK OF ELECTRIC SHOCK, REFER SERVICING TO QUALIFIED SERVICE PERSONNEL. DO NOT PERFORM ANY SERVICING BEYOND THAT EXPLAINED IN THE OPERATING INSTRUCTIONS.

- NOTES:**
- 1) CAUTION: SHOCK HAZARD!! THIS UNIT CONTAINS HAZARDOUS VOLTAGE. DISCONNECT POWER AND BE SURE POWER SUPPLY IS DISCHARGED BEFORE TOUCHING INTERNAL PARTS.
 - 2) UNLESS NOTED, RESISTOR VALUES IN OHMS, 1/4W-5% TOL. CAPACITOR VALUES IN MICROFARADS, 50V-10% TOL.
 - 3) VOLTAGES ARE MEASURED WITH 1 MEGOHM OSCILLOSCOPE AND 10 MEGOHM DIGITAL VOLTMETER.

B	03/22/06	C32, 39 NOT USED	R01871	WFB		
A	2-8-06	INITIAL ISSUE				
REV	Date	DESCRIPTION	Ecr(s)/Ecn(s)	Chgd By	Appvd by	Date
THE INFORMATION CONTAINED ON THIS DRAWING IS PROPRIETARY TO ST. LOUIS MUSIC, INC.						
Signatures:			Date:			
Drawn: RLB			1-9-06			
Checked:			First Used On:			
Released:			Drawing Title:			
Plot Date: Wed Mar 22, 2006		Drawing Size: C		Drawing Number:		
Plot Time: 08:15:35		Drawing Type: Schematic		GUITAR AMP		
Tolerance:		Class Code: NONE		Drawing Number: 07S384		
		Sheet 2 of 2				