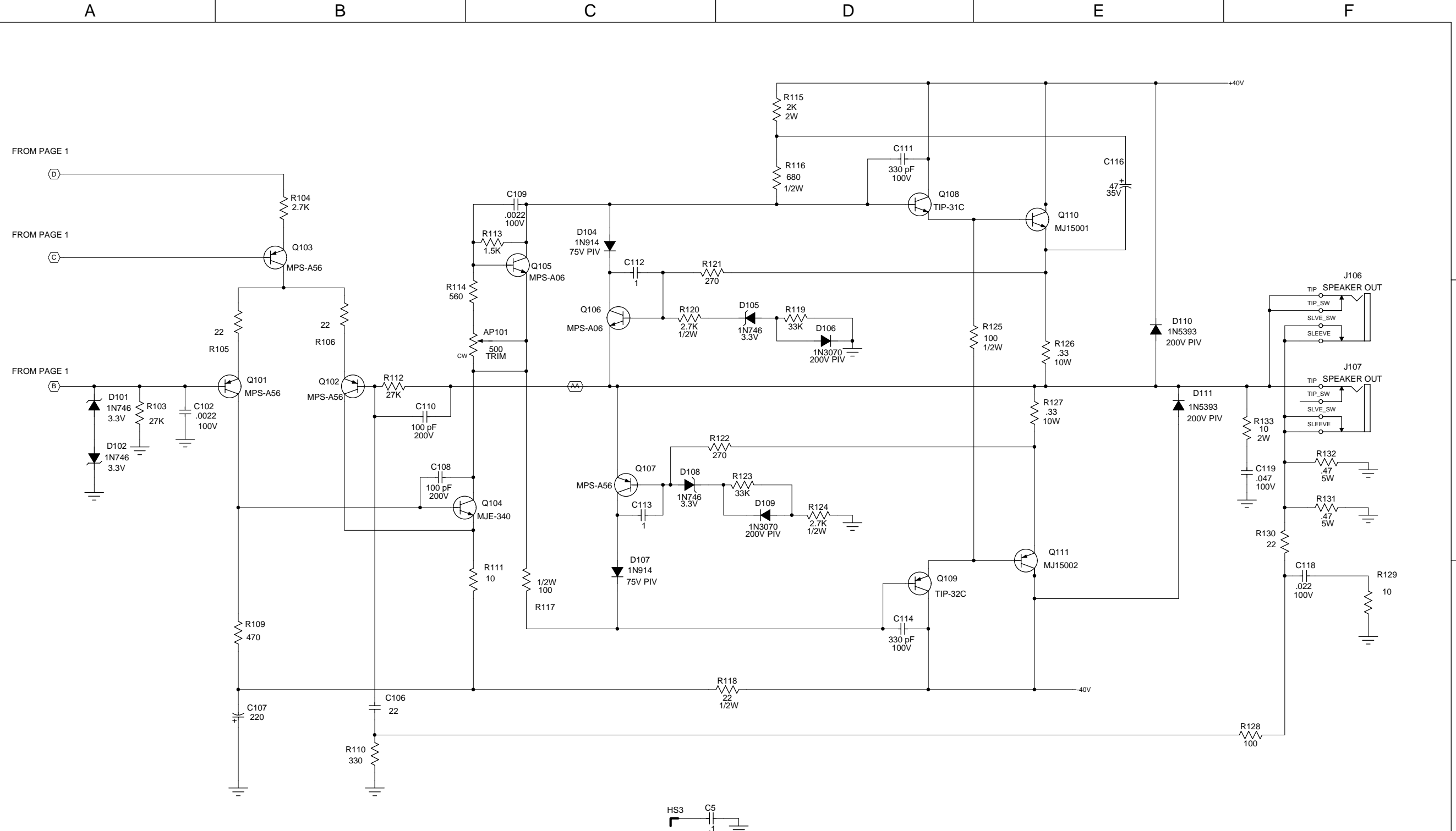


BIAS:
 ADJUST AP1 AND AP19
 FOR 3mV DC ACROSS
 R26 AND R126
 NO SIGNAL, NO LOAD

CAUTION:
 THIS SCHEMATIC IS PROVIDED FOR USE BY QUALIFIED PERSONNEL.
 TO AVOID RISK OF ELECTRIC SHOCK, REFER SERVICING TO QUALIFIED
 SERVICE PERSONNEL. DO NOT PERFORM ANY SERVICING BEYOND
 THAT EXPLAINED IN THE OPERATING INSTRUCTIONS.

NOTES:
 1) CAUTION: SHOCK HAZARD!!
 THIS UNIT CONTAINS HAZARDOUS VOLTAGE. DISCONNECT POWER
 AND BE SURE POWER SUPPLY IS DISCHARGED BEFORE
 TOUCHING INTERNAL PARTS.
 2) UNLESS NOTED, RESISTOR VALUES IN OHMS, 1/4W-5% TOL.
 CAPACITOR VALUES IN MICROFARADS, 50V-10% TOL.
 3) VOLTAGES ARE MEASURED WITH 1 MEGOHM OSCILLOSCOPE
 AND 10 MEGOHM DIGITAL VOLTMETER.

0	03/23/05	CONTROL ISSUE		WFB		
B	10/26/04	ADDED C28-30, DELETED OPTIONAL DIODES & TABS.	RO1452	REM		
A	07/09/04	INITIAL ISSUE				
REV	Date	DESCRIPTION	Ecr(s)/Ecn(s)	Chgd By	Appvd by	Date
THE INFORMATION CONTAINED ON THIS DRAWING IS PROPRIETARY TO ST. LOUIS MUSIC, INC.						
Signatures:		Date:		 1901 Congressional, St. Louis, MO 63146		
Drawn: WFB		02/09/04				
Checked:				First Used On:		
Released:						
Plot Date: Tue Oct 26, 2004		Drawing Size: C		Drawing Title:		
Plot Time: 10:51:14		Drawing Type: Schematic		POWER AMP SCHEMATIC		
Tolerance:		Class Code: NONE		Drawing Number:		
		Sheet 1 of 2		07S581		



CAUTION:
 THIS SCHEMATIC IS PROVIDED FOR USE BY QUALIFIED PERSONNEL.
 TO AVOID RISK OF ELECTRIC SHOCK, REFER SERVICING TO QUALIFIED
 SERVICE PERSONNEL. DO NOT PERFORM ANY SERVICING BEYOND
 THAT EXPLAINED IN THE OPERATING INSTRUCTIONS.

NOTES:
 1) CAUTION: SHOCK HAZARD!!
 THIS UNIT CONTAINS HAZARDOUS VOLTAGE. DISCONNECT POWER
 AND BE SURE POWER SUPPLY IS DISCHARGED BEFORE
 TOUCHING INTERNAL PARTS.
 2) UNLESS NOTED, RESISTOR VALUES IN OHMS, 1/4W-5% TOL.
 CAPACITOR VALUES IN MICROFARADS, 50V-10% TOL.
 3) VOLTAGES ARE MEASURED WITH 1 MEGOHM OSCILLOSCOPE
 AND 10 MEGOHM DIGITAL VOLTMETER.

0	03/23/05	CONTROL ISSUE		WFB		
B	10/26/04	ADDED C28-30, DELETED OPTIONAL DIODES & TABS.	RO1452	REM		
A	07/09/04	INITIAL ISSUE				
REV	Date	DESCRIPTION	Ecr(s)/Ecn(s)	Chgd By	Appvd by	Date
THE INFORMATION CONTAINED ON THIS DRAWING IS PROPRIETARY TO ST. LOUIS MUSIC, INC.						
Signatures:		Date:		 1901 Congressional, St. Louis, MO 63146		
Drawn: WFB		02/09/04				
Checked:				First Used On:		
Released:						
Plot Date: Tue Oct 26, 2004		Drawing Size: C		Drawing Title: POWER AMP SCHEMATIC		
Plot Time: 10:51:14		Drawing Type: Schematic		Drawing Number: 07S581		
Tolerance:		Class Code: NONE				
		Sheet 2 of 2				